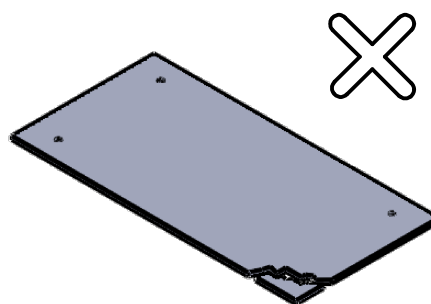
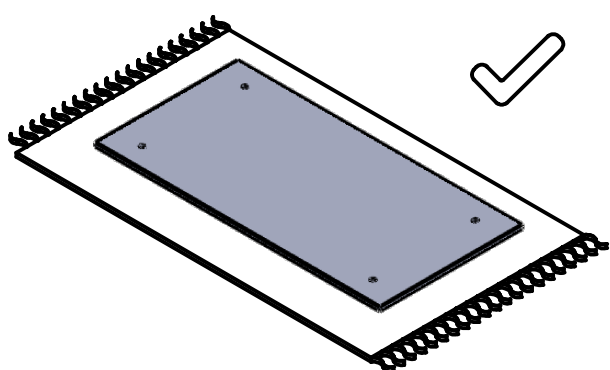
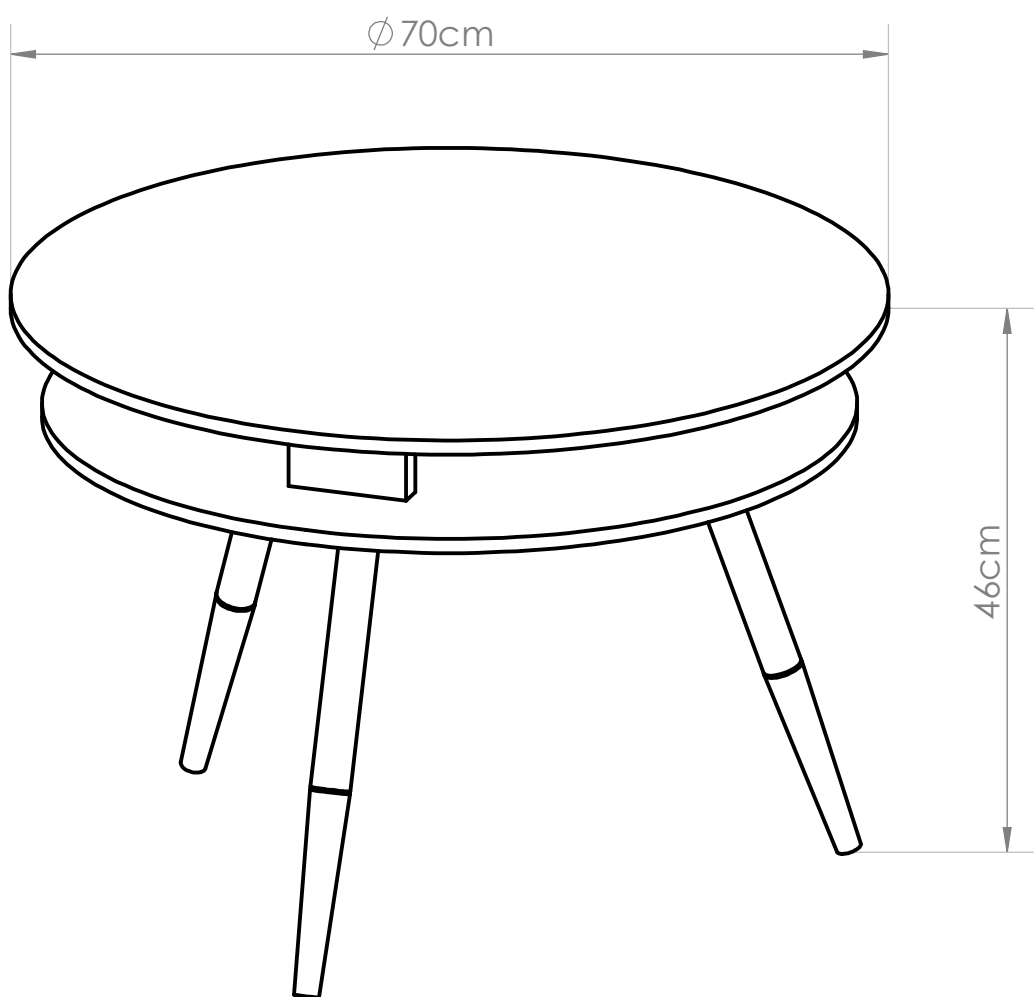
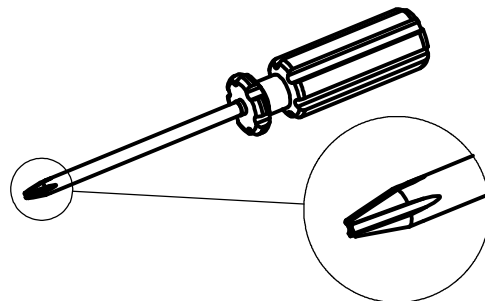
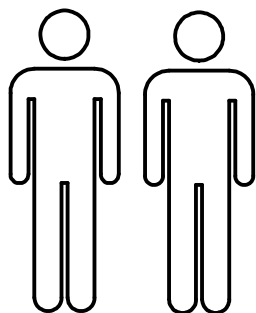
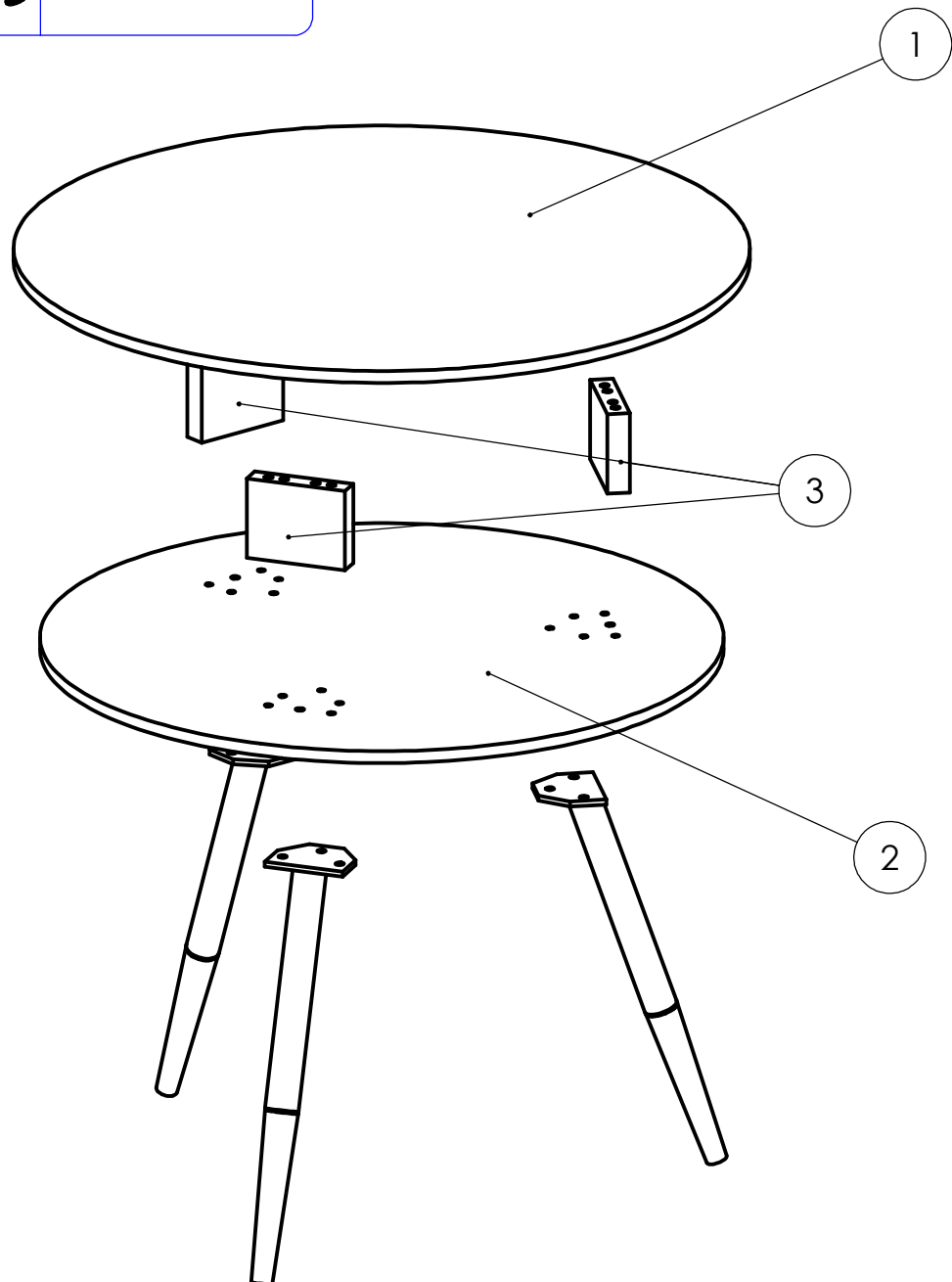
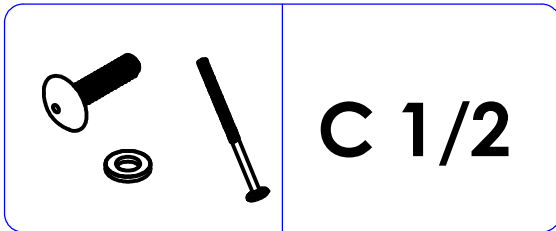


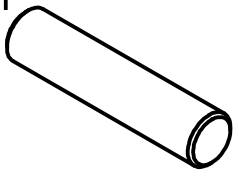

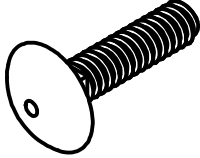



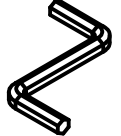
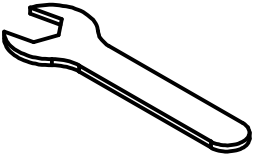
# FREDO 70

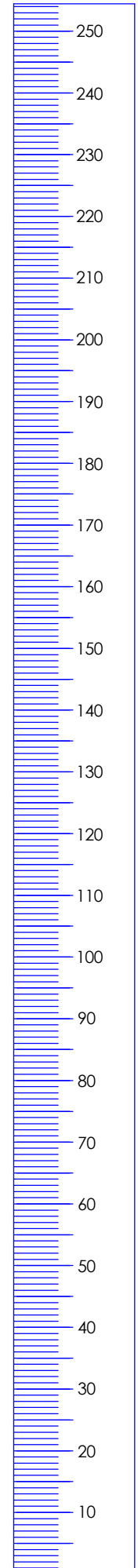


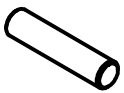


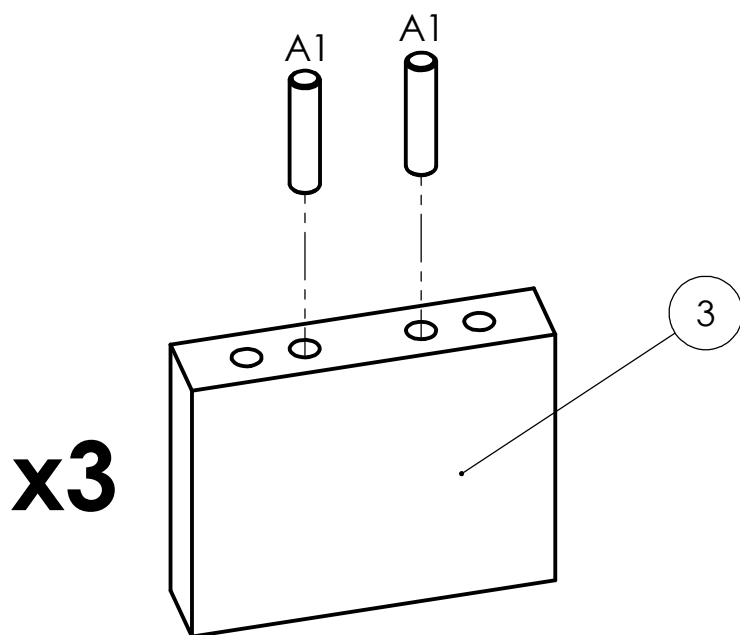
1	700 x 700 x 12	x1	1/2
2	650 x 650 x 12	x1	1/2
3	100 x 80 x 22	x3	2/2

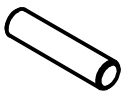


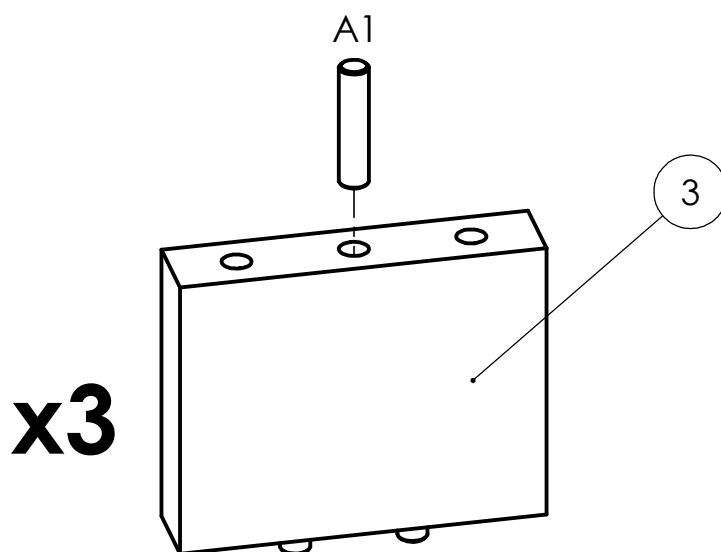
<p>A1</p>  <p>8x36 mm x9</p>	<p>B22</p>  <p>M5x100 mm x6</p>	<p>B12</p>  <p>M6x25 mm x9</p>
<p>B4</p>  <p>M6 x9</p>	<p>B5</p>  <p>x9</p>	<p>N2</p>  <p>L-405 x3</p>
<p>Z4</p>  <p>x1</p>	<p>K1</p>  <p>10mm x1</p>	



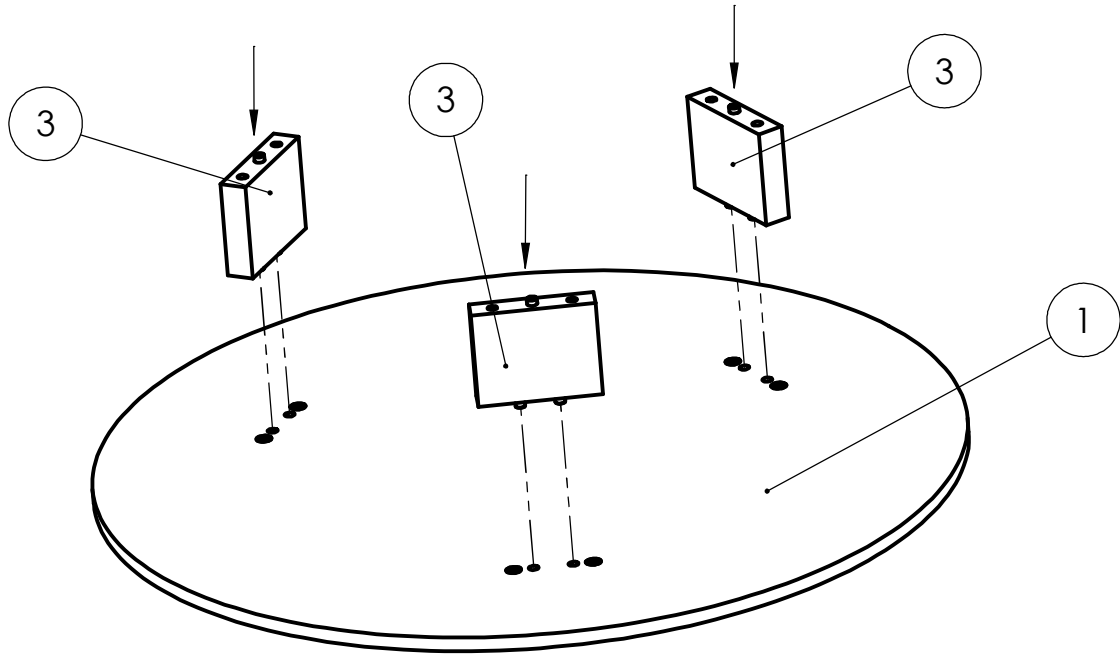
**1** A1  x6



**2** A1  x3



# 3



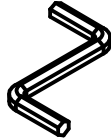
# 4

B22

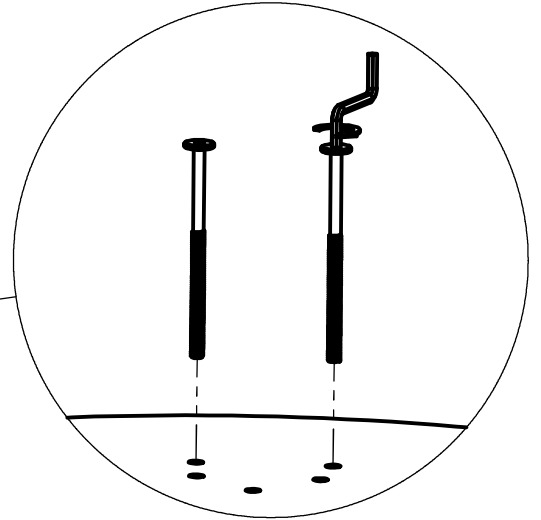
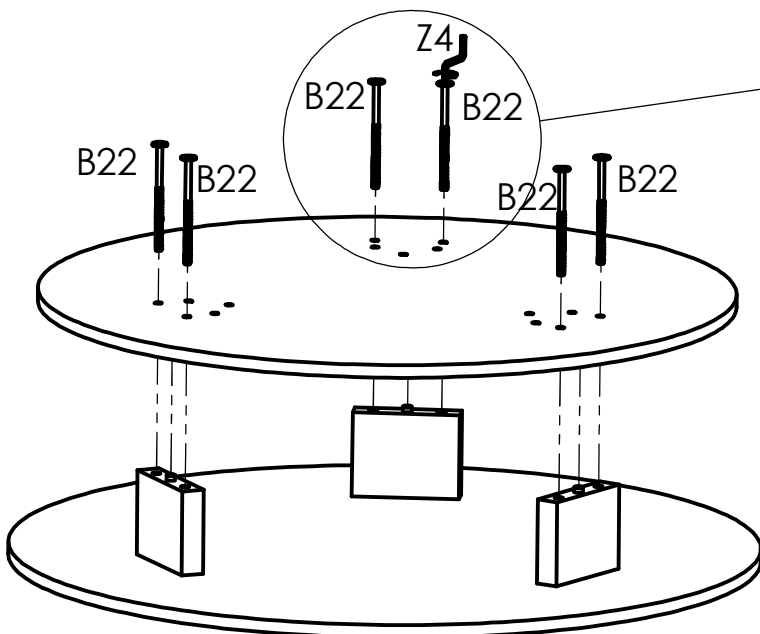



x6

Z4



x1



**5** B12 

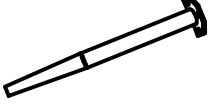
x9

B5 

x9

B4 

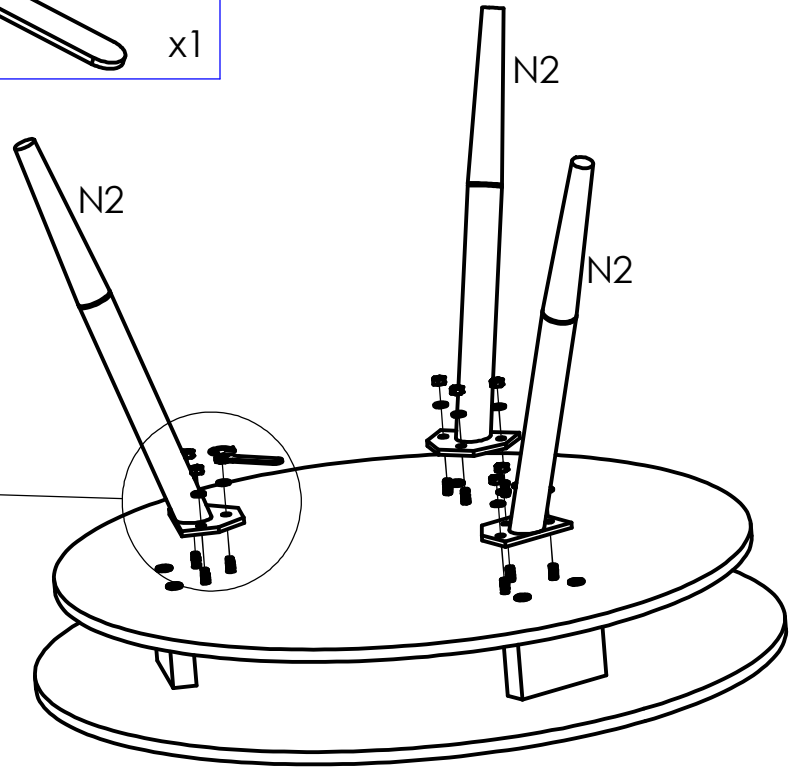
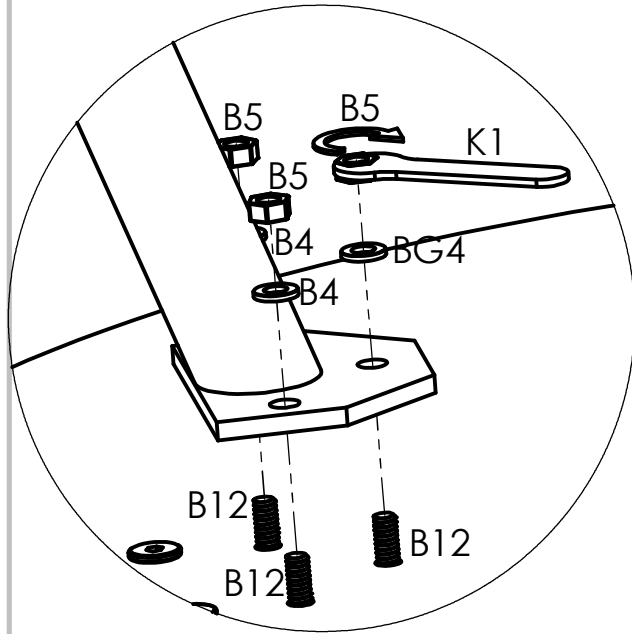
x9

N2 

x3

K1 

x1



**6**

