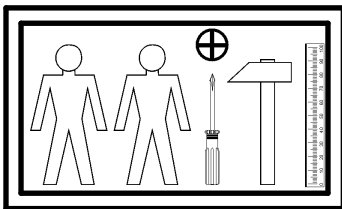
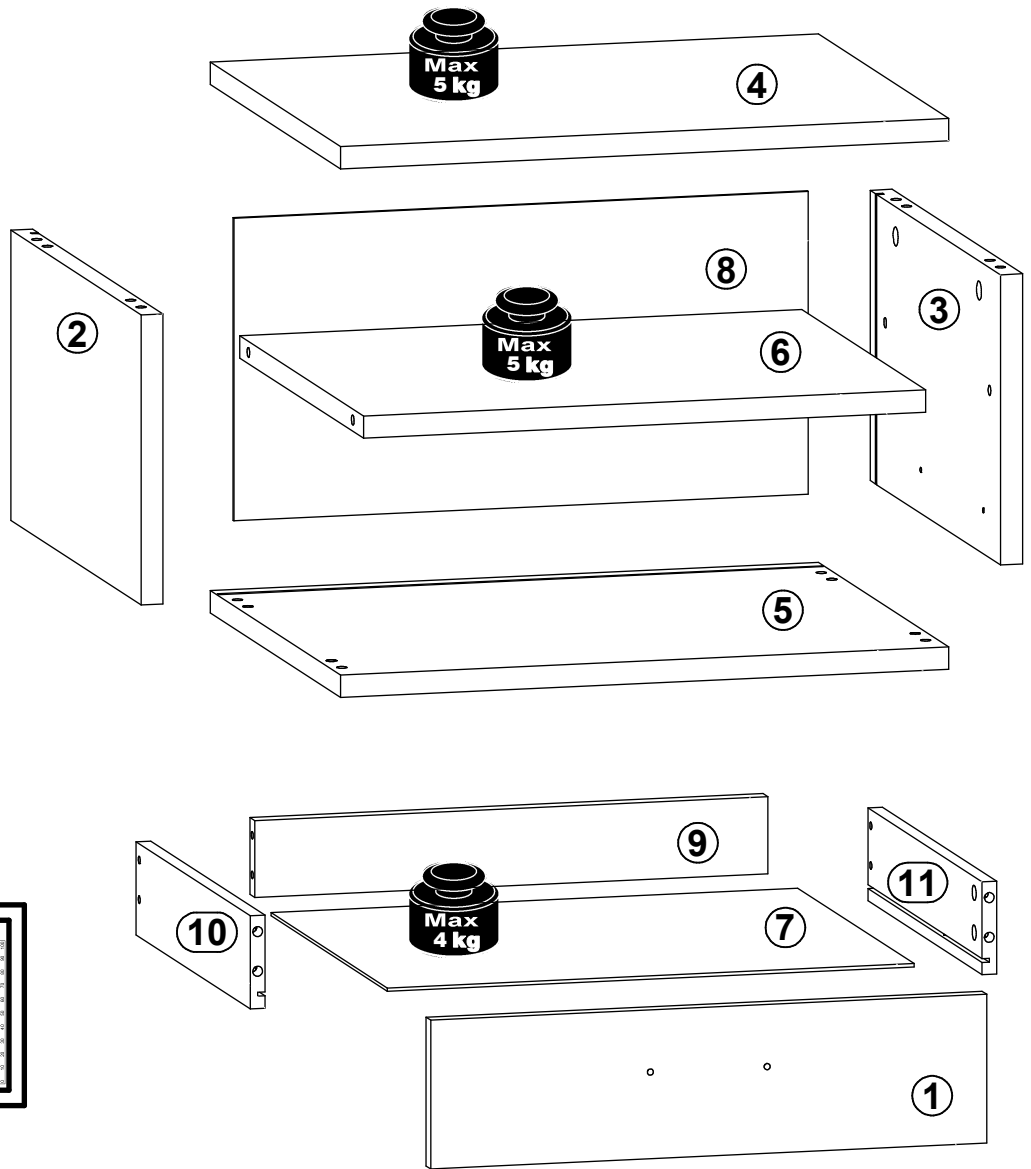
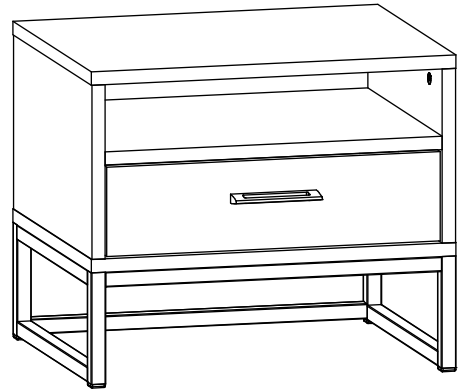
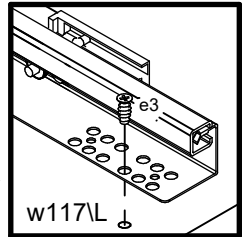
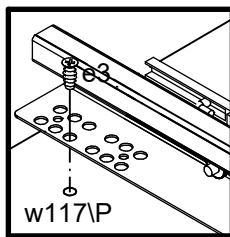
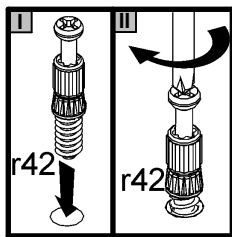
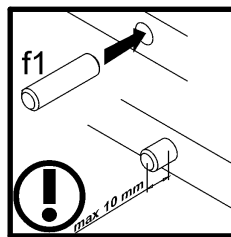
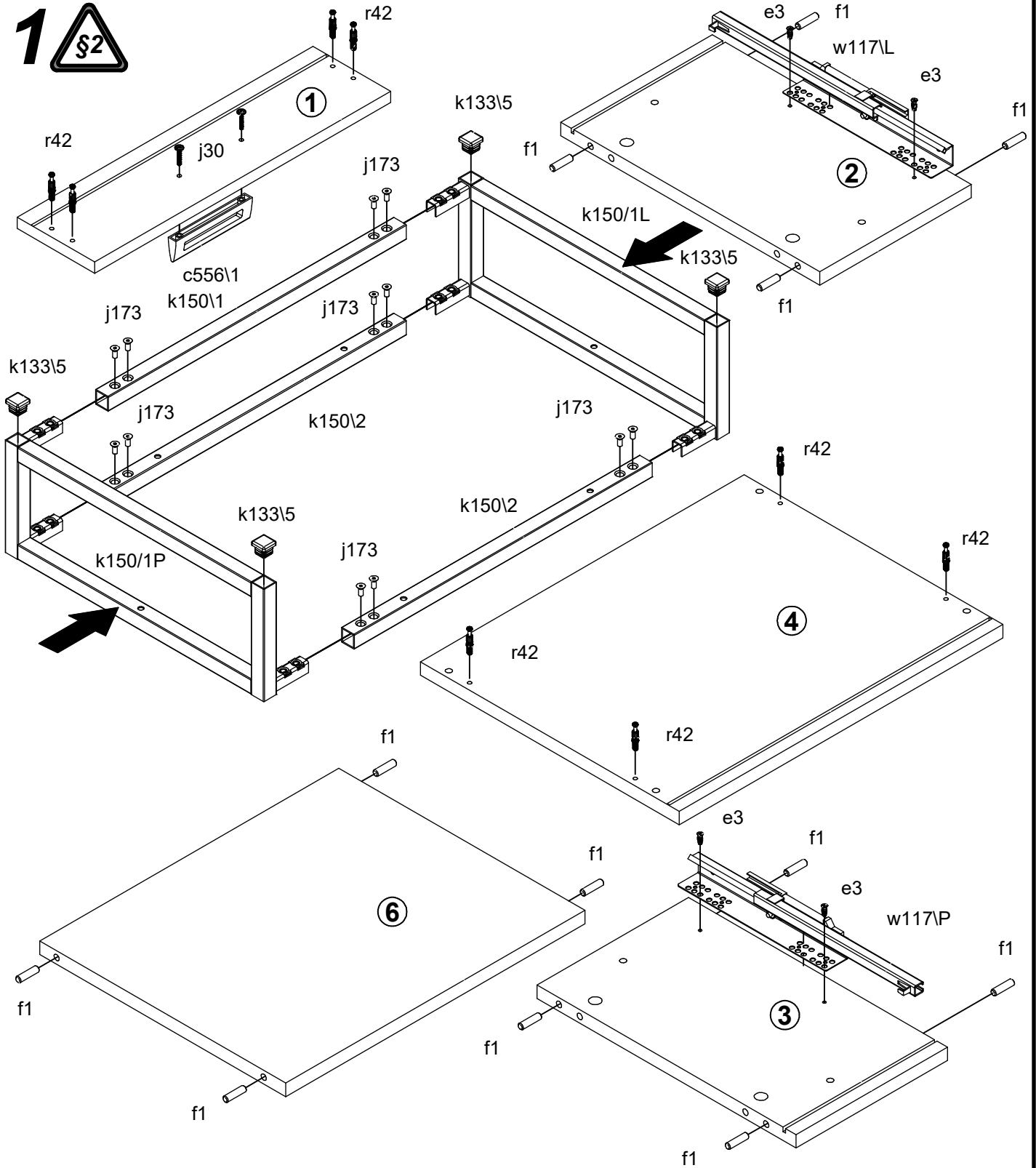


| A | B | C | D | |
|----|-----------|-----|-----|-----|
| 1 | S489-0001 | 457 | 120 | 1/2 |
| 2 | S489-1001 | 234 | 400 | 1/2 |
| 3 | S489-1002 | 234 | 400 | 1/2 |
| 4 | S489-2001 | 500 | 400 | 1/2 |
| 5 | S489-2002 | 500 | 400 | 1/2 |
| 6 | S489-3001 | 462 | 380 | 1/2 |
| 7 | S489-9001 | 433 | 357 | 1/2 |
| 8 | S489-9002 | 244 | 472 | 1/2 |
| 9 | ZQ6-5264 | 422 | 62 | 1/2 |
| 10 | ZQ6-527 | 350 | 75 | 1/2 |
| 11 | ZQ6-528 | 350 | 75 | 1/2 |

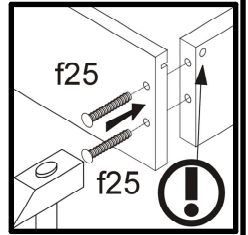
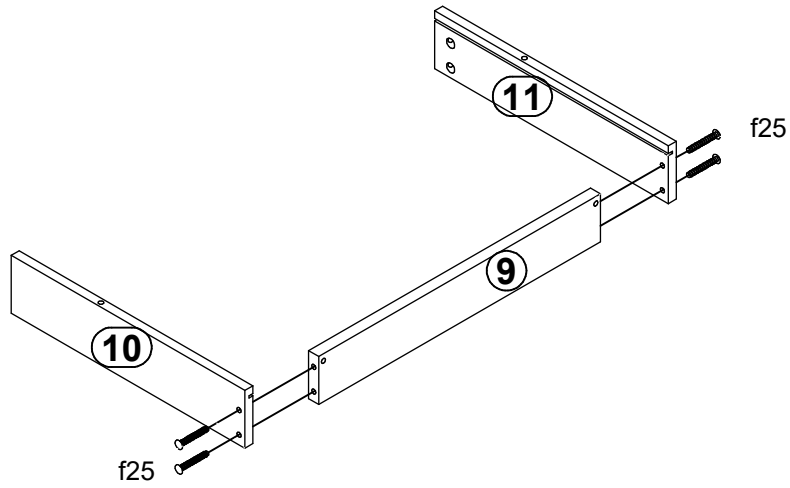


| | | | | | | | | |
|------------------------------|------------------------------|------------------------------|--------------------------------|----------------------------------|-------------------------------------|--------------------------------|------------------------------|------------------------------|
| 1x 96mm c556\1 | 4x Ø7x50 mm e1 | 6x Ø6x30 mm e16 | 4x Ø6x13 mm e3 | 12x Ø8x30 mm f1 | 4x Ø6.5x40 mm f25 | 12x M5x12 mm j173 | 2x M4x22 mm j30 | 4x 20x20 k133\5 |
| 1x L-460 k150\1 | 2x L-460 k150\2 | 4x l2 | 4x Ø3.5x16 mm p38 | 4x Ø15x12 mm #16 r1 | 4x Ø12x10.5 mm #12 r15 | 8x 20/11 r42 | 1x 350 mm W117\L | 1x 350 mm W117\P |
| 4x Ø 20mm s68 | 1x 4 mm z1 | 1x 3 mm z22 | 1x n26\1 | 2x Ø2.9x16 mm p55 | 1x L-400 k150\1L | 1x L-400 k150\1P | | |

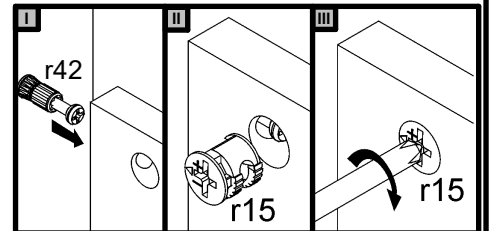
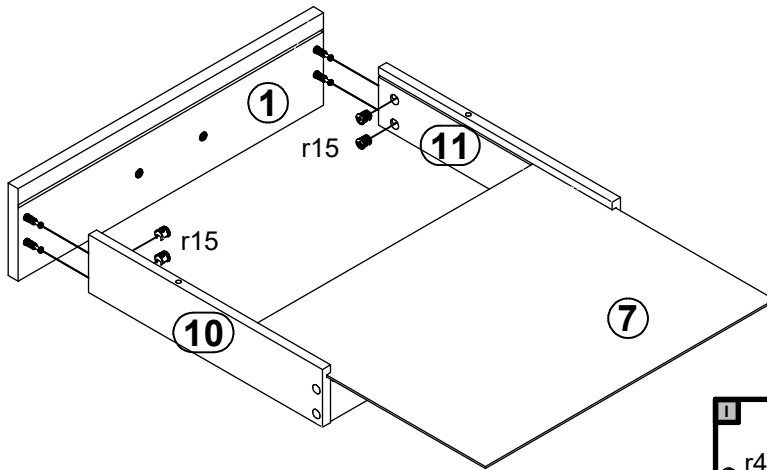
1 



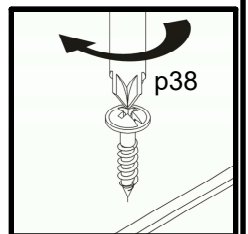
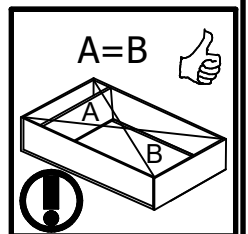
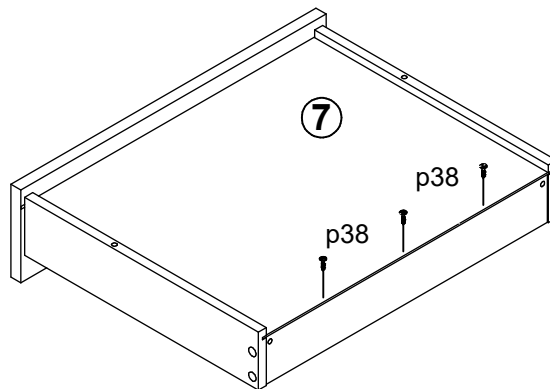
2



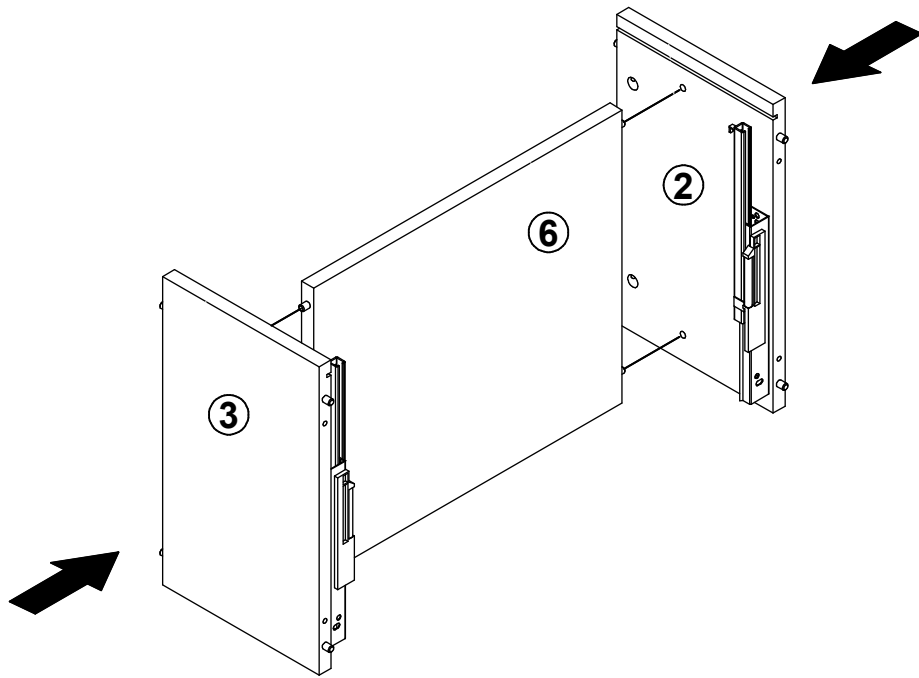
3



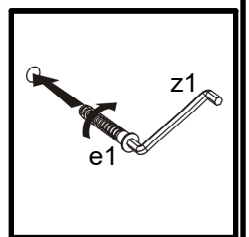
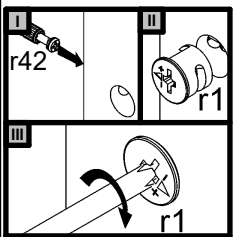
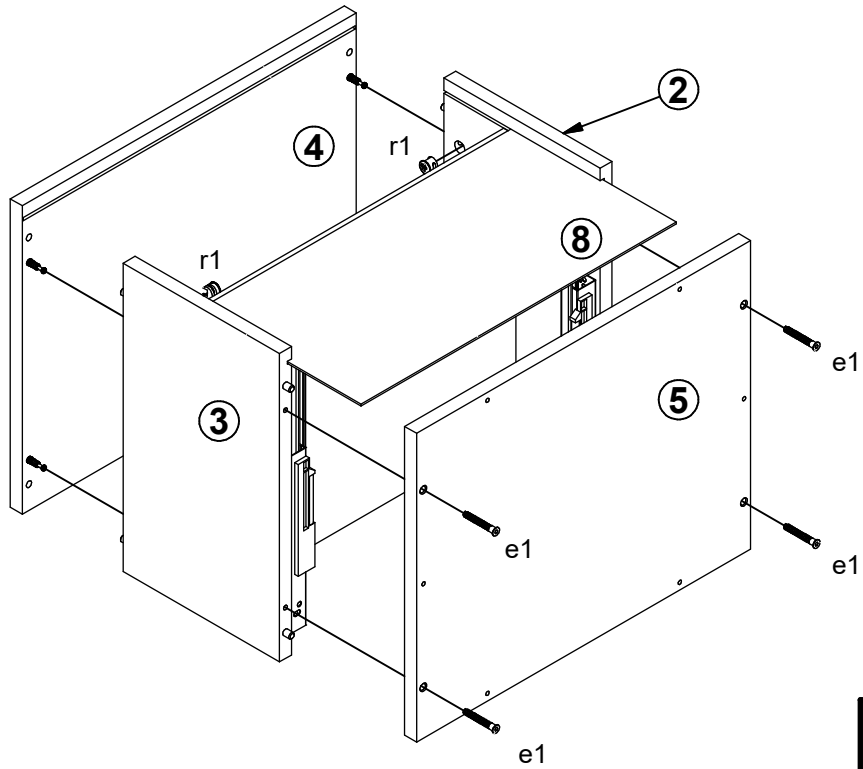
4



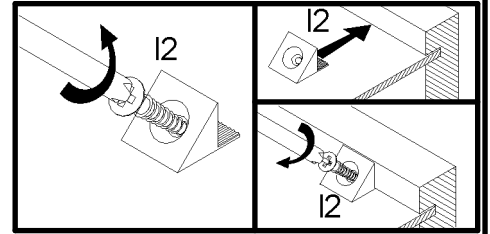
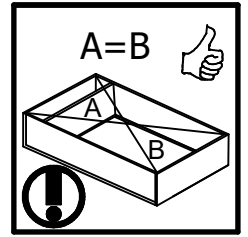
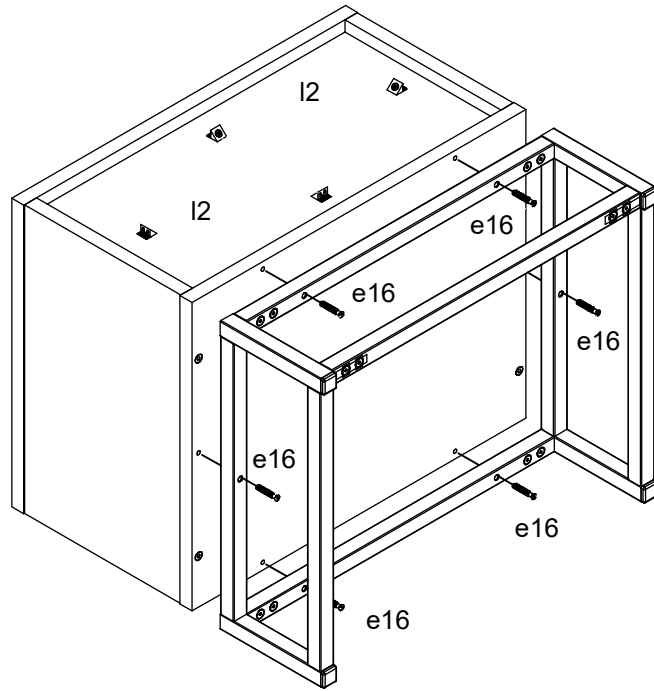
5



6



7



8

