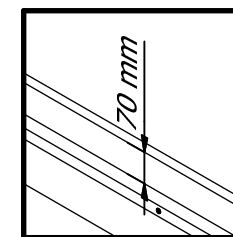
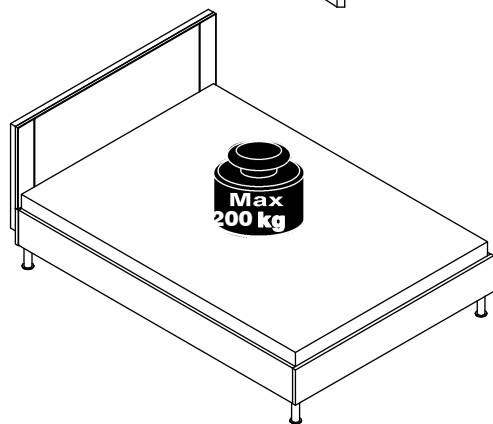
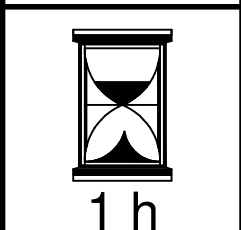
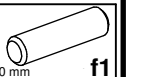
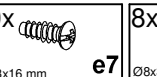
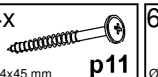
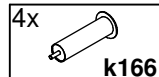
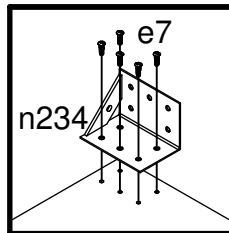
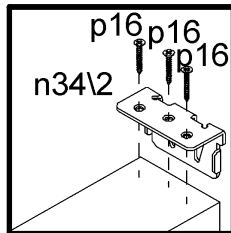
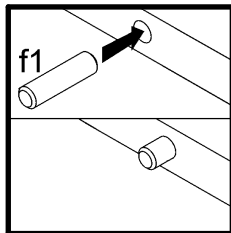
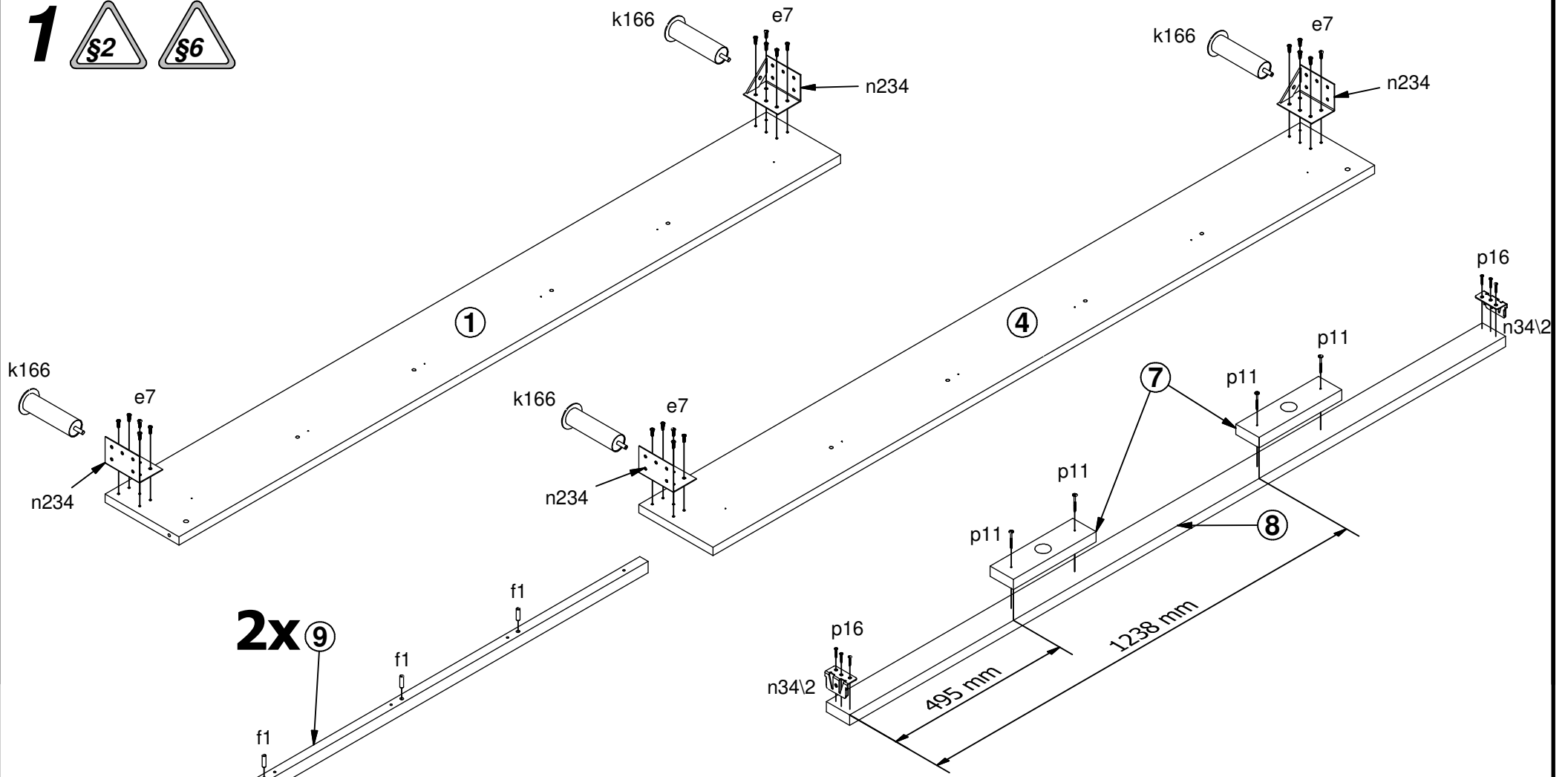


A	B	C (mm)			D
1	L140-1002	2000	224	22	1/5
2	L140-1003	1446	225	22	2/5
3	L140-1004	1446	225	22	2/5
4	L140-1007	2000	224	22	1/5
5	L140-5001	1446	660	55	3/5
6	ZZ1-530	1873	1396	18	5/5
7	ZZ1-759-01	250	70	27	1/5
8	ZZ1-767-01	1983	70	27	1/5
9	ZZ1-792	1880	25	30	1/5
10	Materac	2000	1400	140	4/5

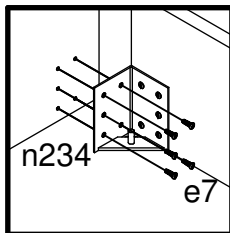
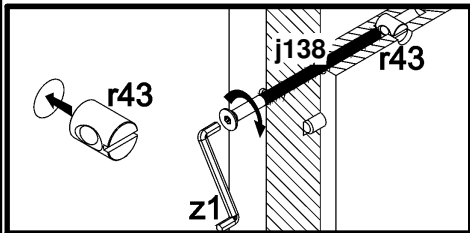
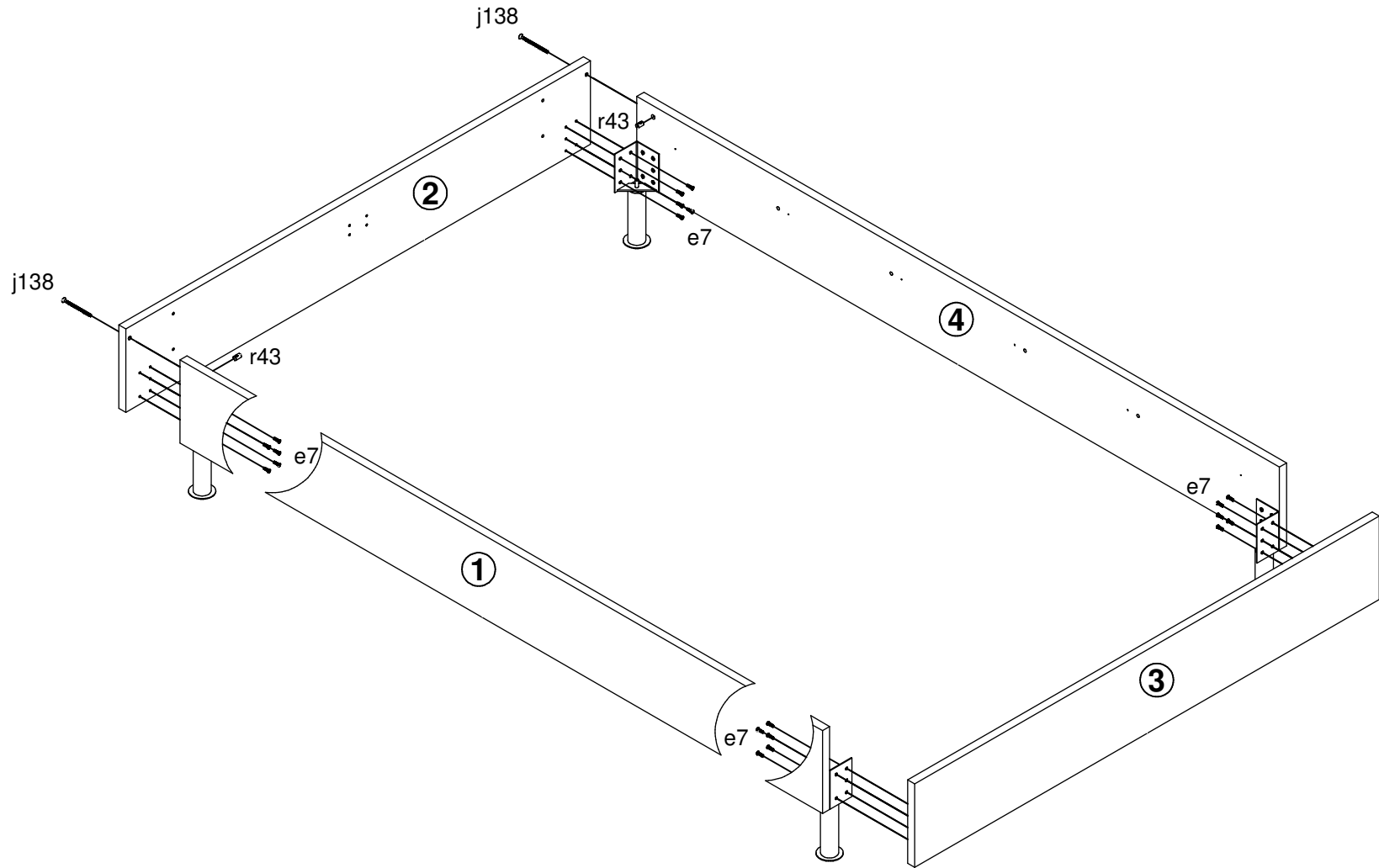


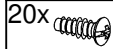

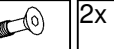



D
1/5

8x Ø6x13 mm e3	40x Ø6,3x16 mm e7	8x Ø8x30 mm f1	2x M6x84 mm j138	4x M6x40 j197	2x k24\1	2x k24\2	2x k24\4	4x k166	2x n34\1	2x n34\2	4x n234	16x Ø4x45 mm p11
6x Ø4x35 mm p6	6x Ø3,5x25 mm p16	2x Ø10x16 mm r43	1x 4 mm z1									

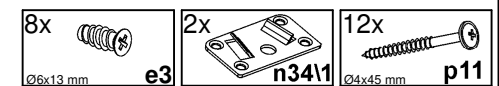
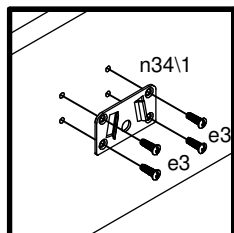
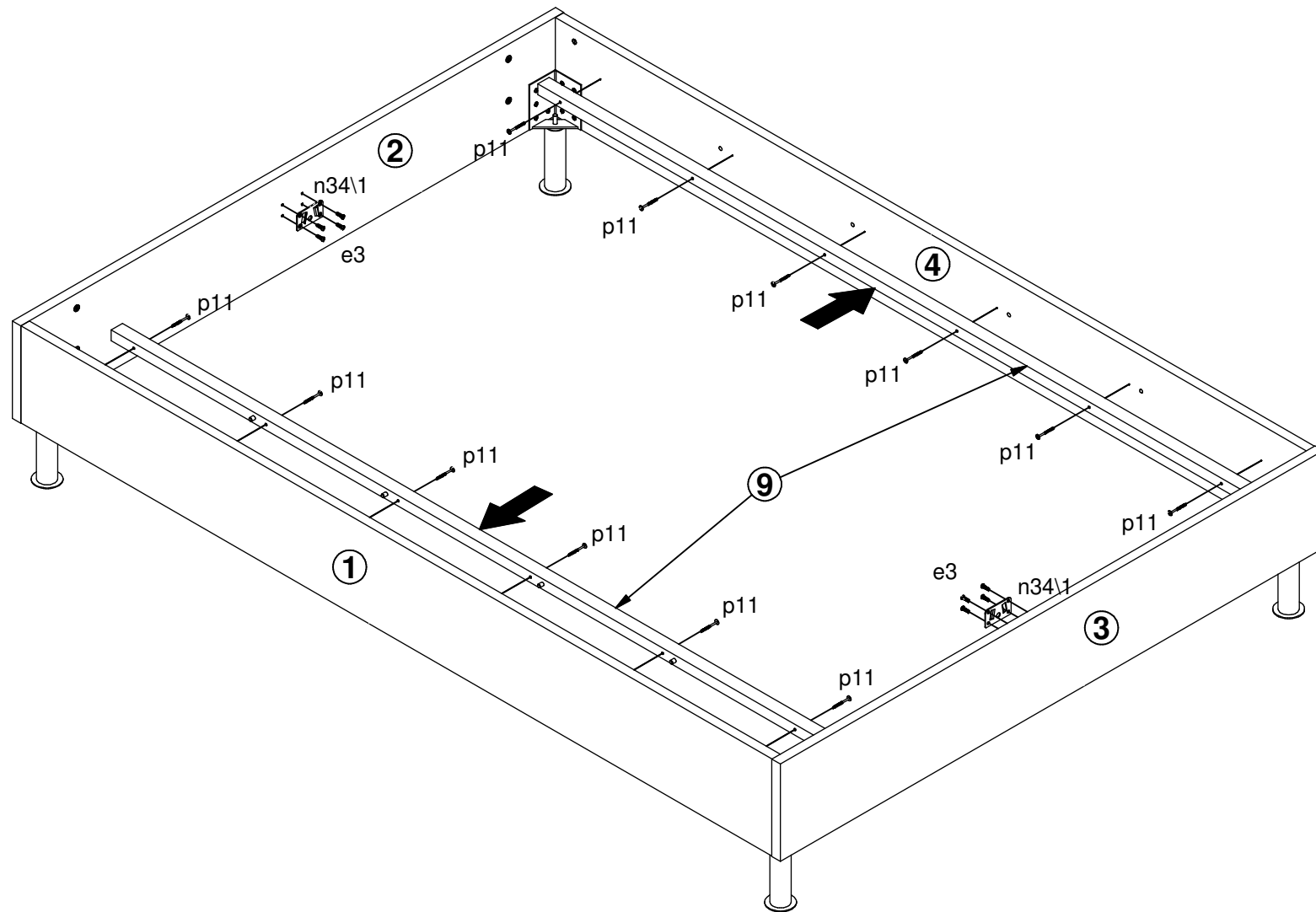


2 

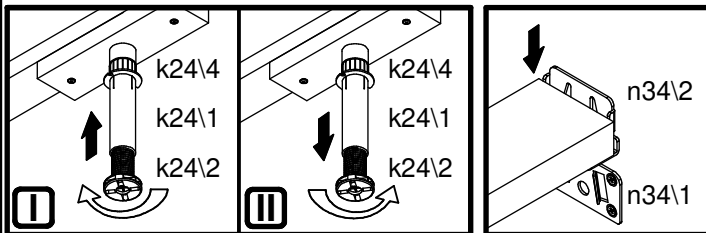
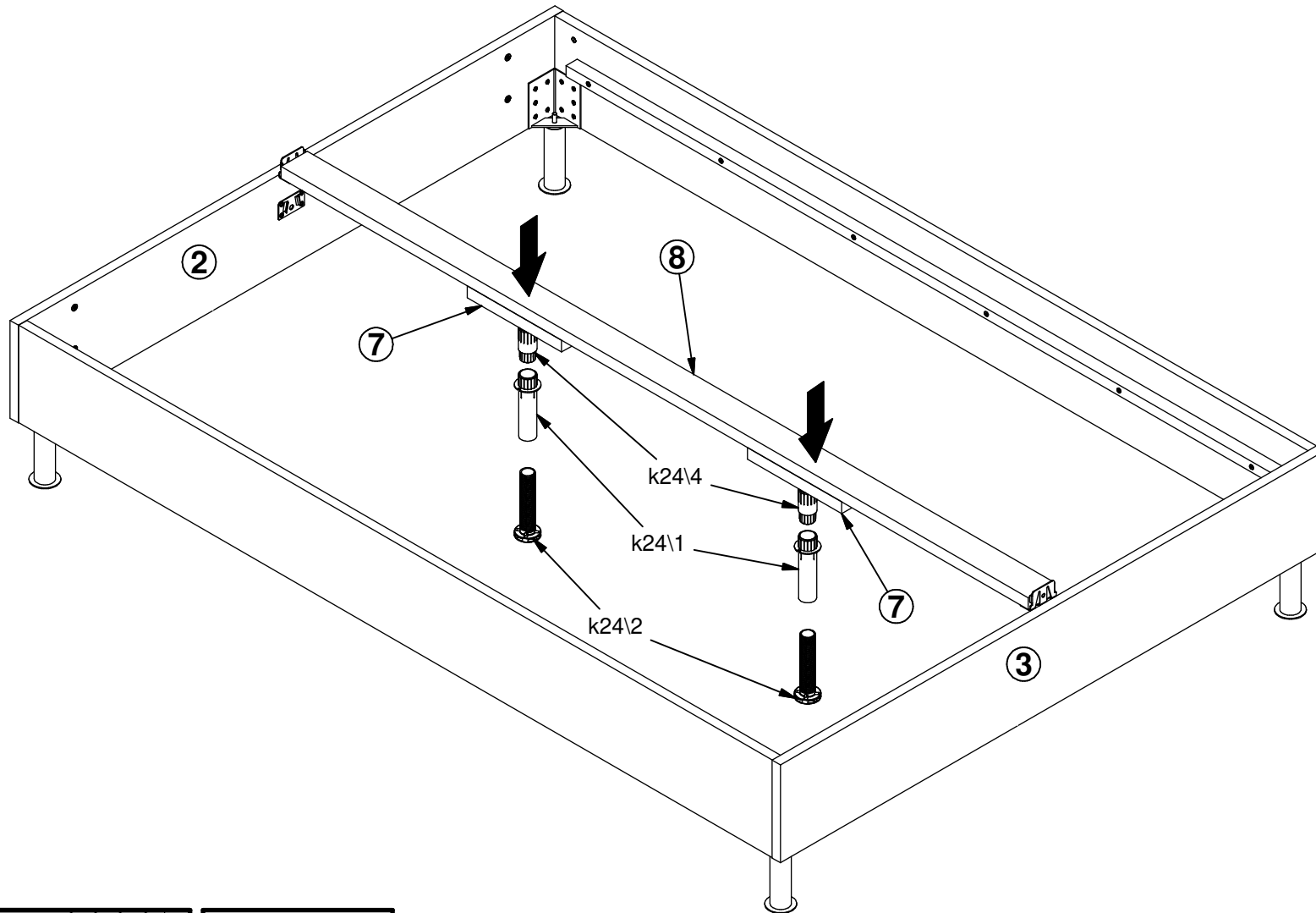
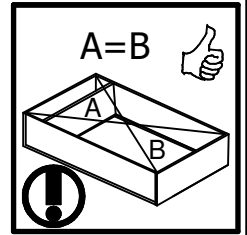


- | | | | | | | | |
|--|---|---|---|--|--|---|---|
| 
20x
Ø6.3x16 mm | 
e7 | 
2x
M6x84 mm | 
j138 | 
2x
Ø10x16 mm | 
r43 |
1x
4 mm |
z1 |
|--|---|---|---|--|--|---|---|

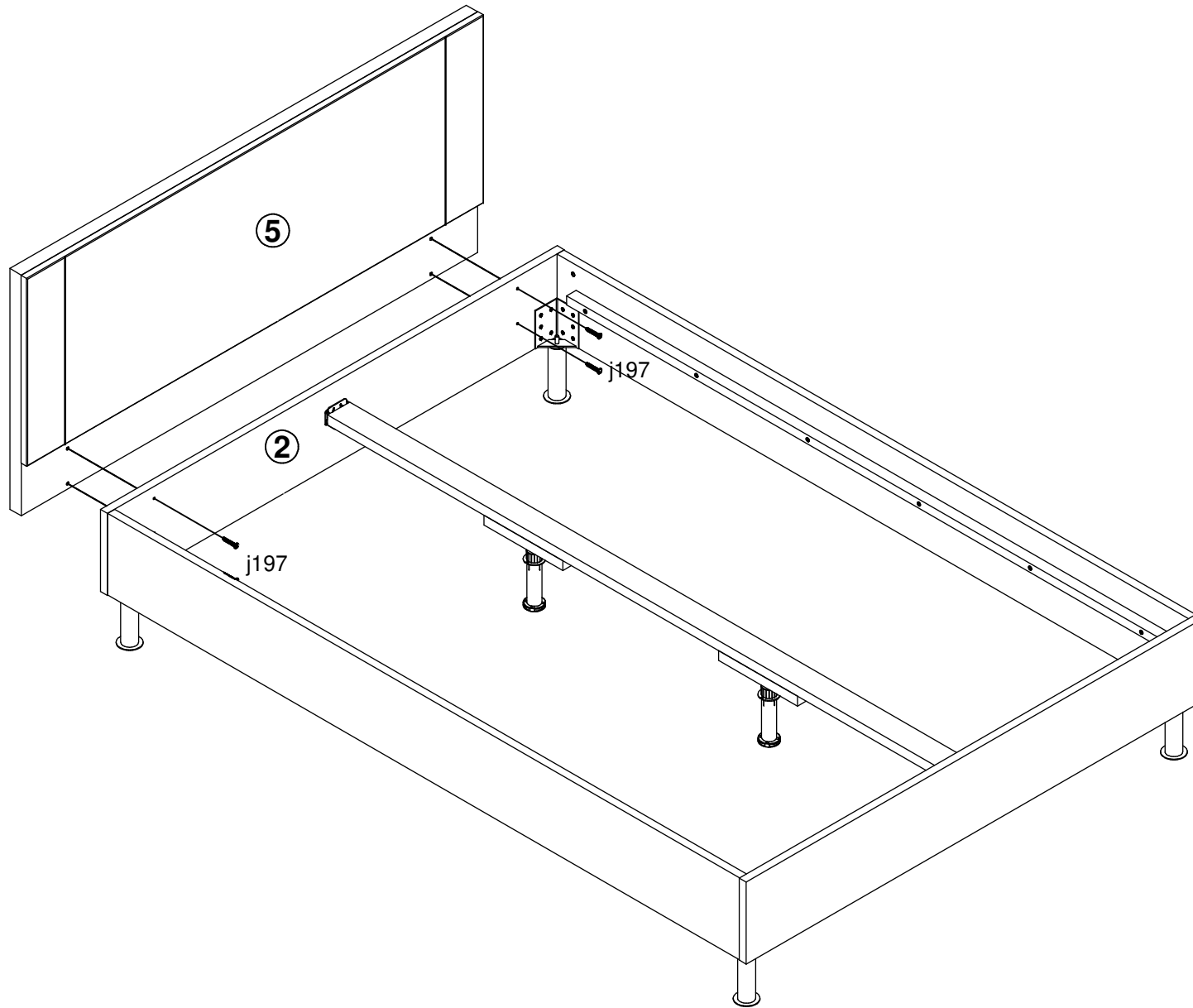
3 



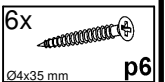
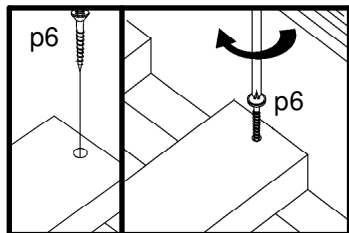
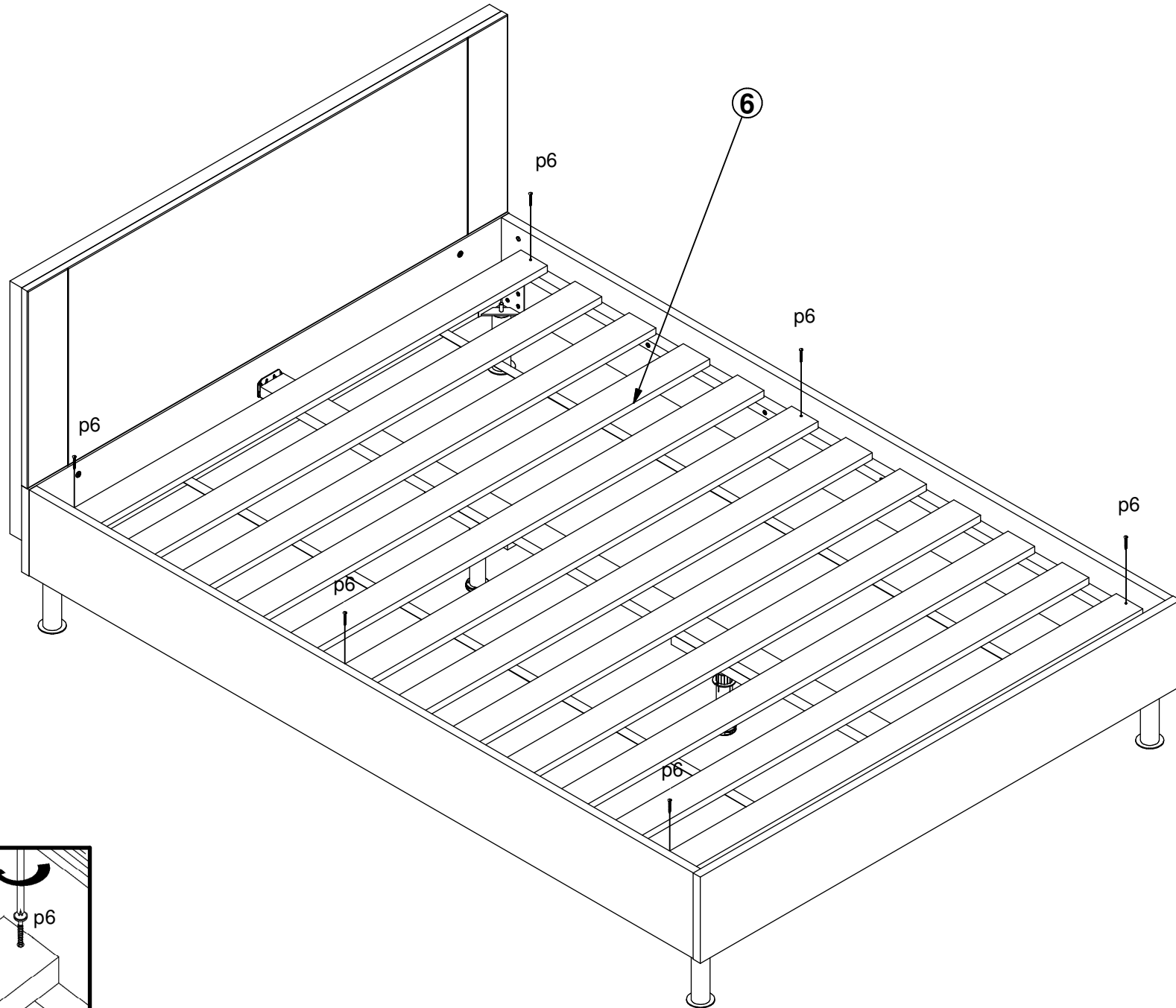
4 



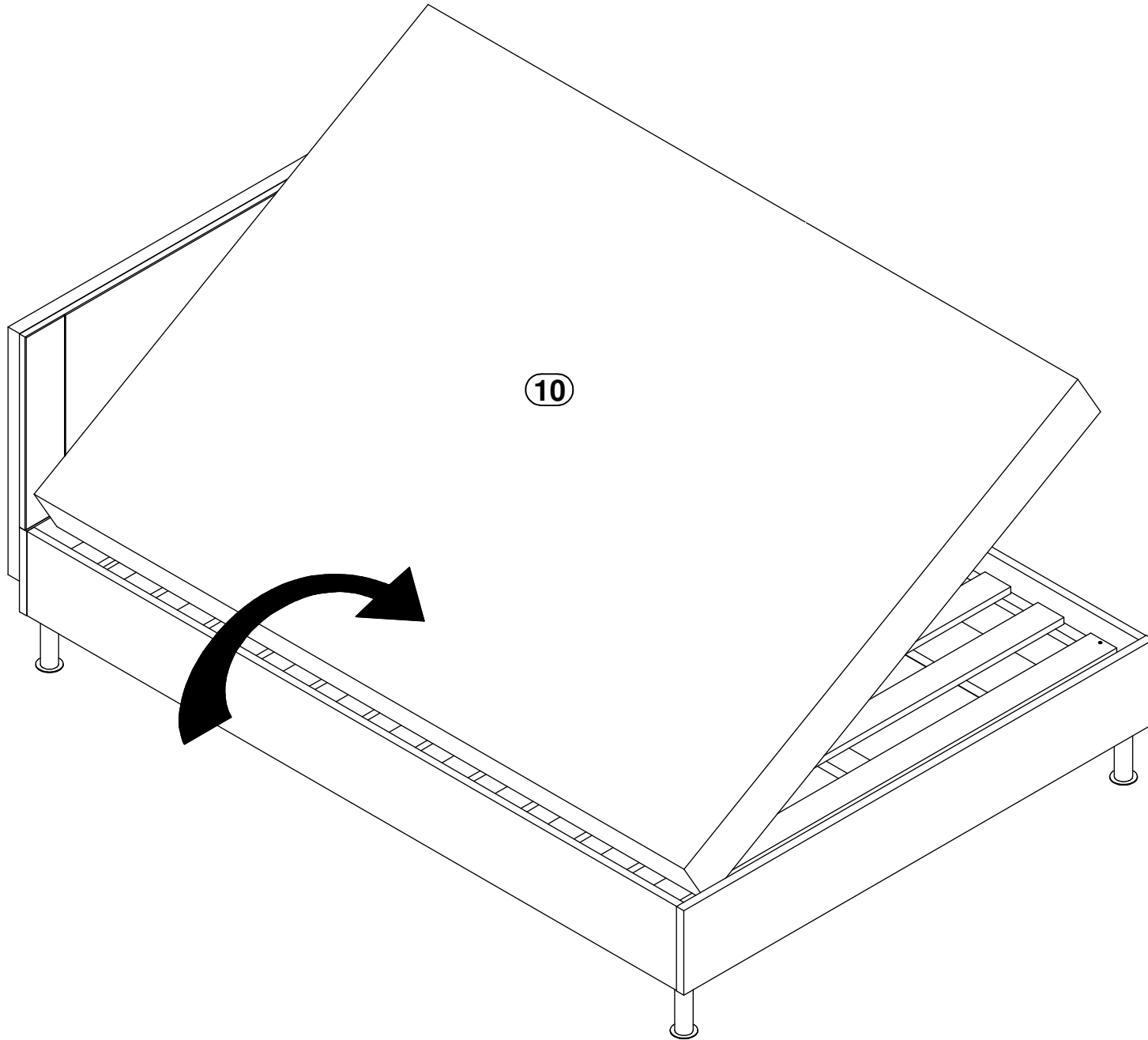
5 



6 



7 



8

