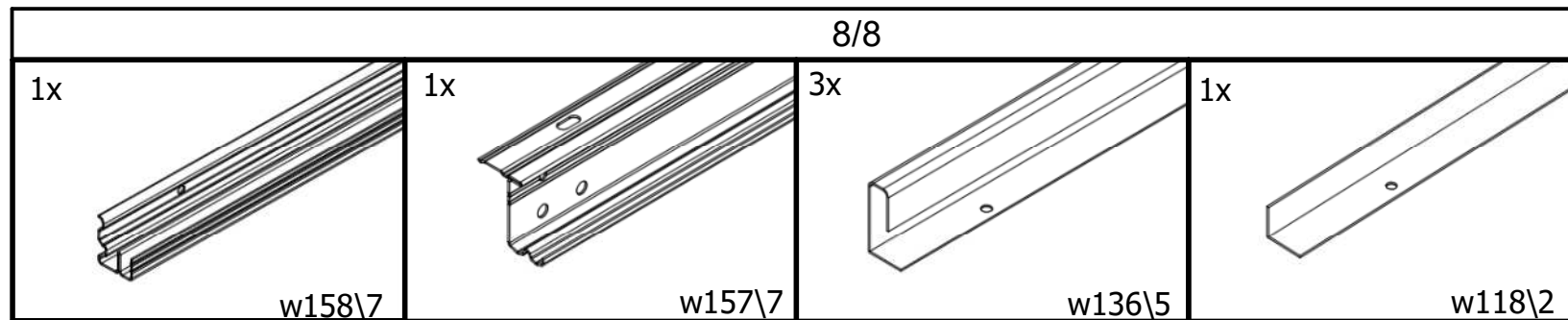
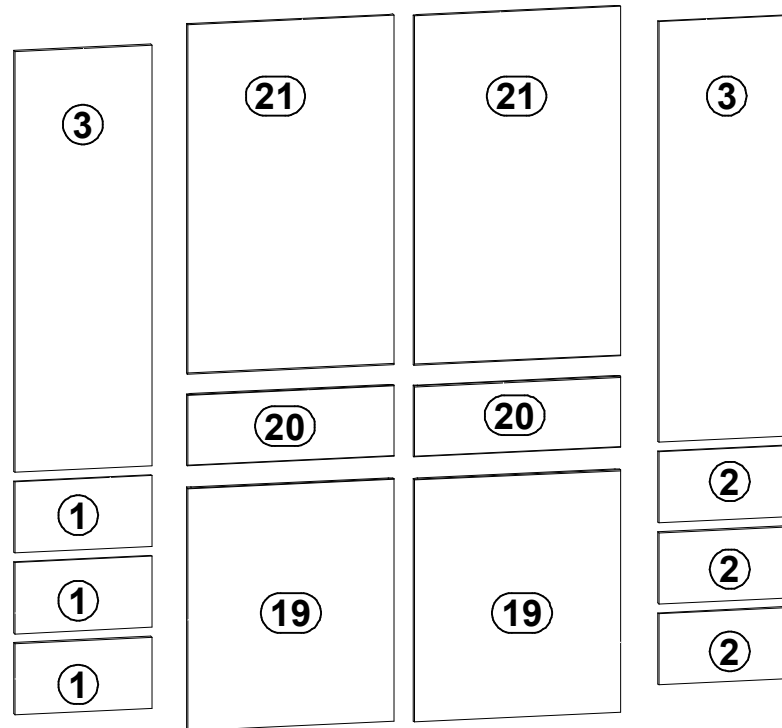
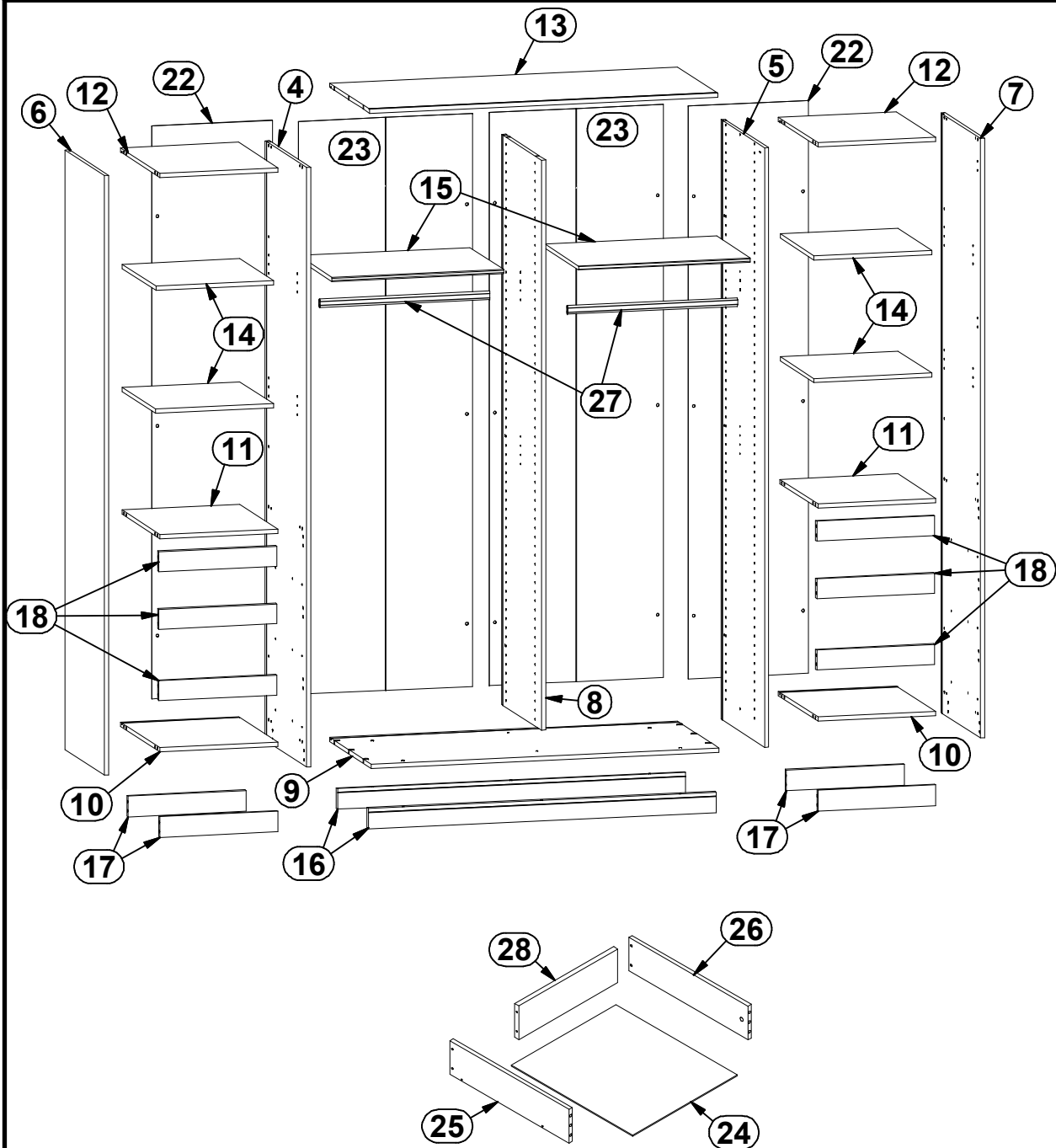
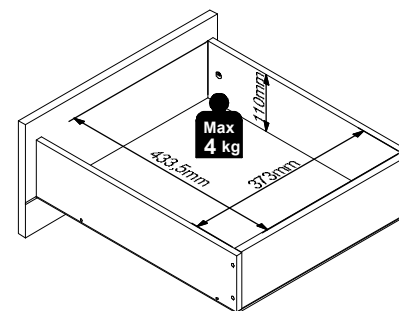
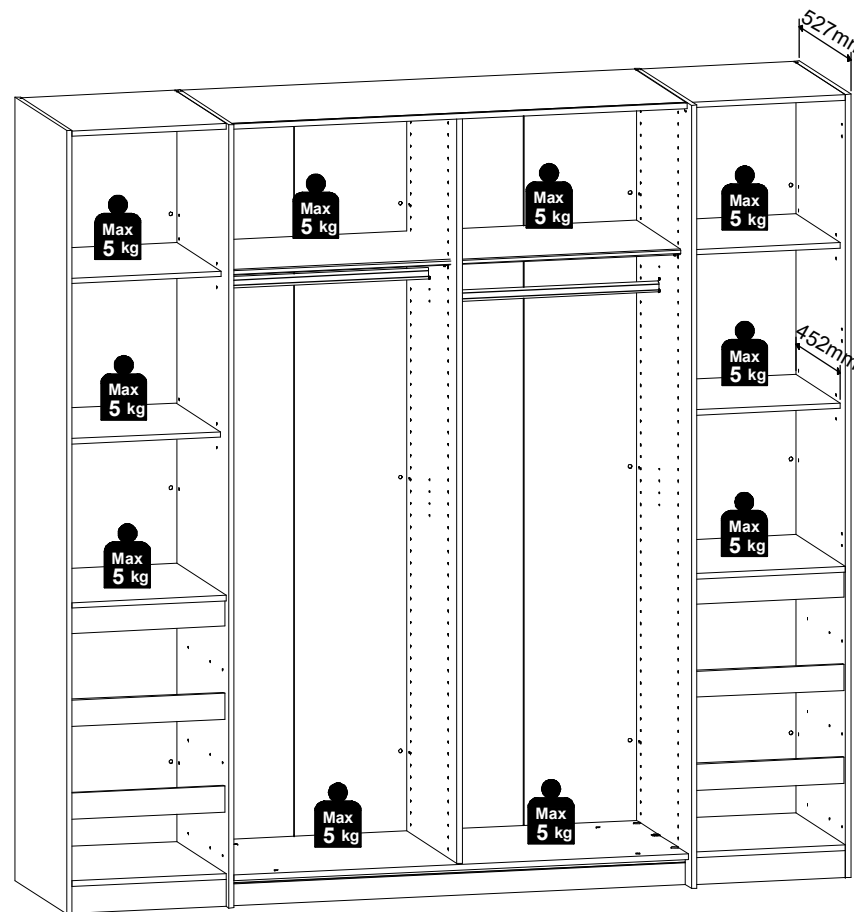
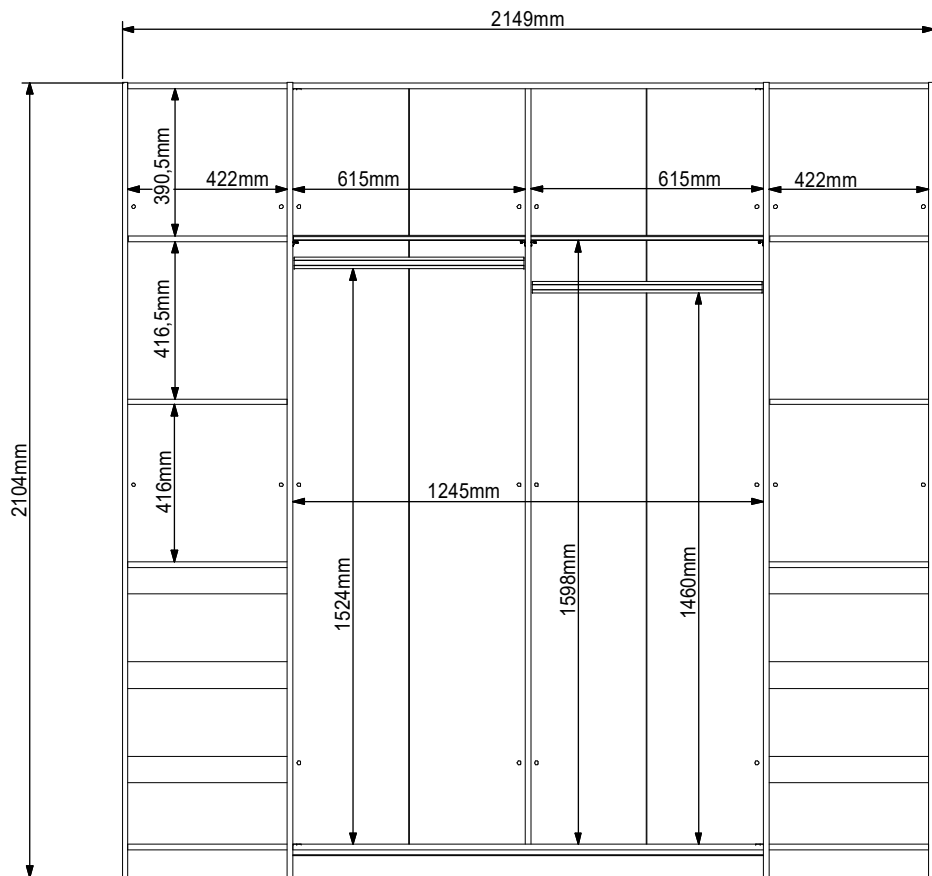


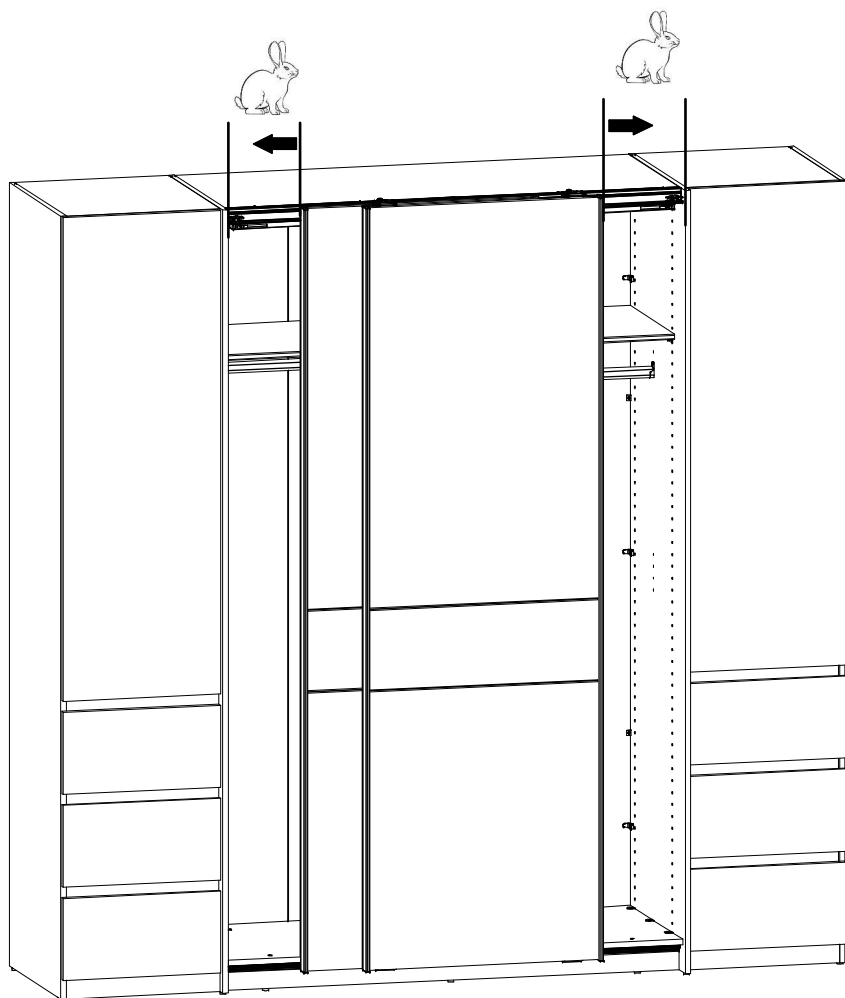
A	B1	B2	C1	C2	C3	D
1	F71-0001	-4	431	220	16	7/8
2	F71-0002	-4	431	220	16	7/8
3	F71-0003	-4	431	1300	16	7/8
4	F71-1001	-5	2105	551	15	2/8
5	F71-1002	-5	2105	580	15	2/8
6	F71-1003	-4	2105	527	15	3/8
7	F71-1004	-4	2105	527	15	3/8
8	F71-1005	-4	2001	534	15	4/8
9	F71-3001	-4	1245	551	15	5/8
10	F71-3002	-4	422	527	15	1/8
11	F71-3003	-4	422	507	15	1/8
12	F71-3004	-4	422	527	15	1/8
13	F71-3005	-4	1245	535	15	5/8
14	F71-3006	-4	421	452	15	4/8
15	F71-3007	-4	615	452	15	5/8
16	F71-4001	-4	1245	73	15	4/8
17	F71-4002	-5	422	73	15	4/8
18	F71-4004	-7	422	70	15	4/8
19	F71-7001	-5	650	750	16	6/8
20	F71-7002	-4	650	220	16	6/8
21	F71-7003	-4	650	1080	16	6/8
22	F71-9002	-4	2011	431	2,5	2/8
23	F71-9301	-4	2011	623	2,5	3/8
24	WSP-9523	-	395	458	2,5	4/8
25	WSR2-5009	-	450	110	12	5/8
26	WSR2-5010	-	450	110	12	5/8
27	dr-608	-	608	22	15	4/8
28	F71-5401	-3	373	110	15	4/8



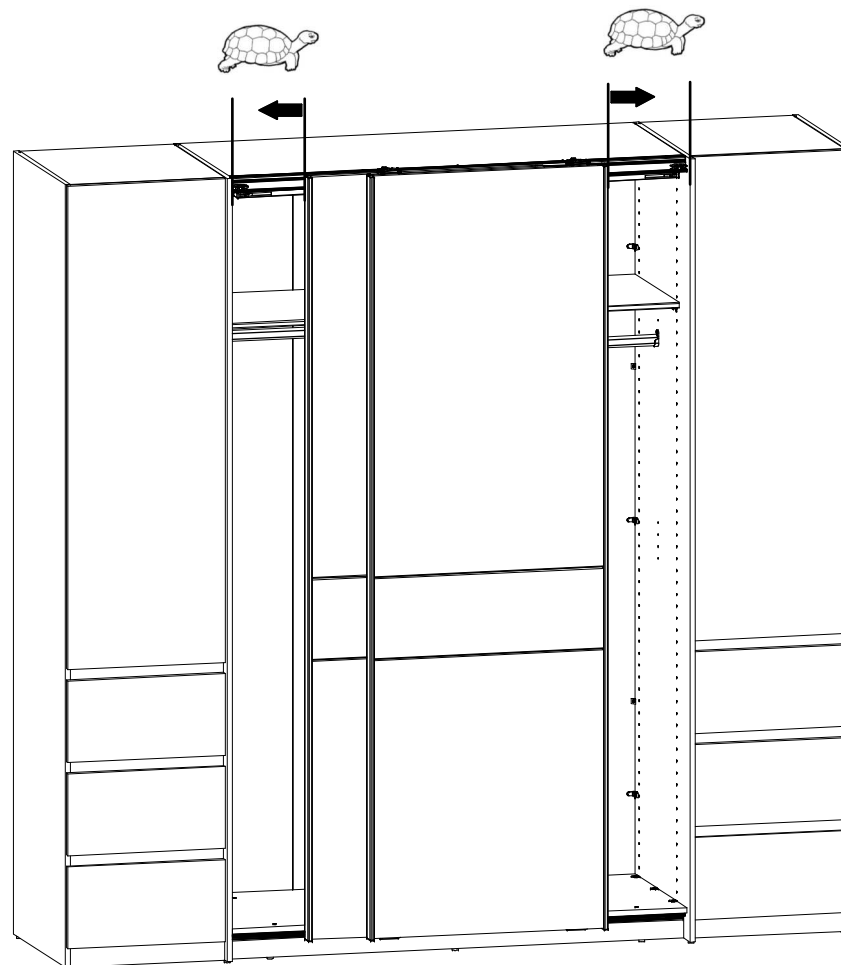
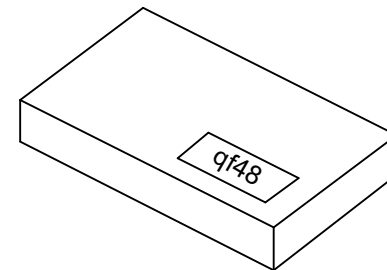




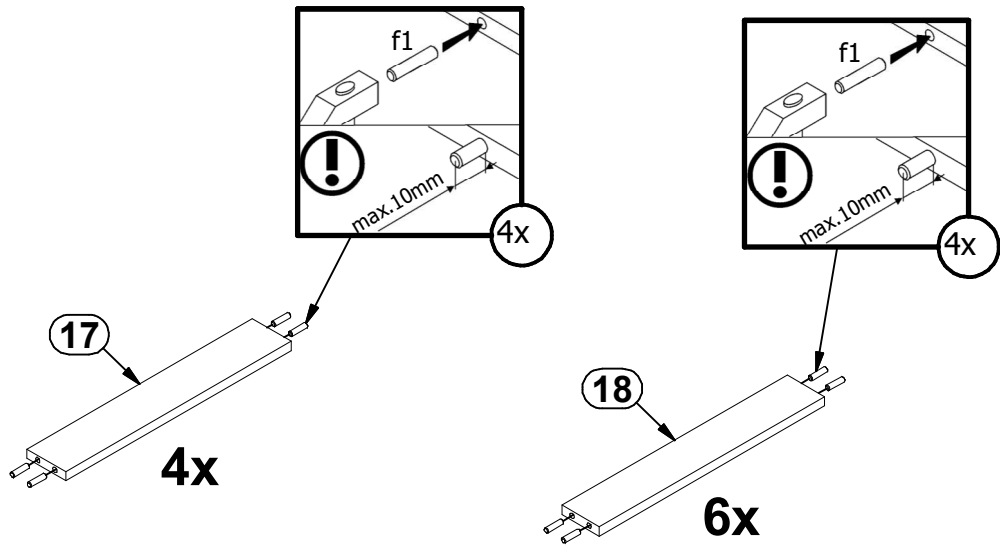
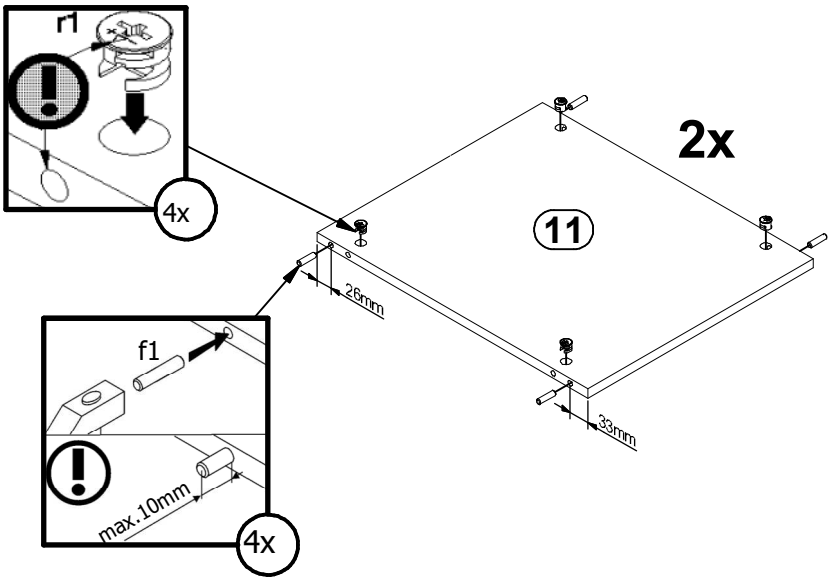
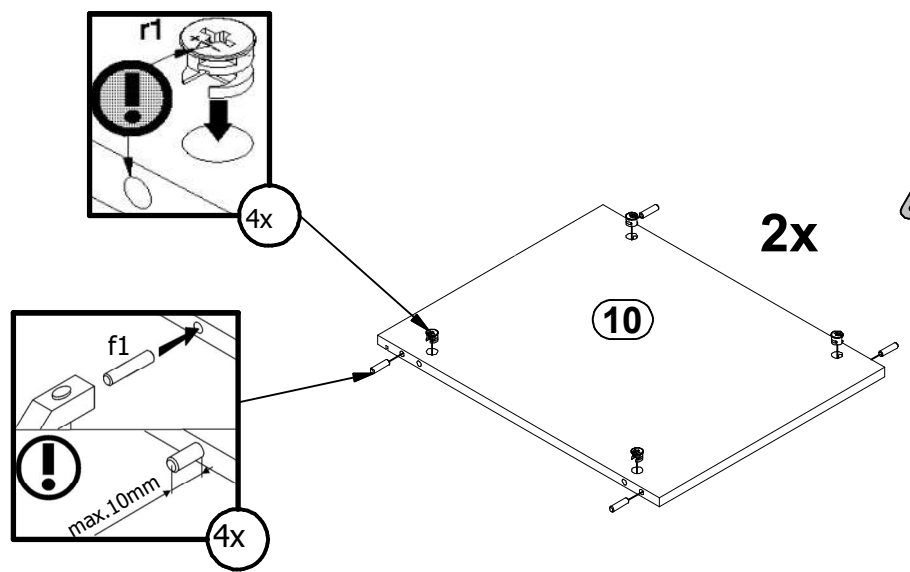
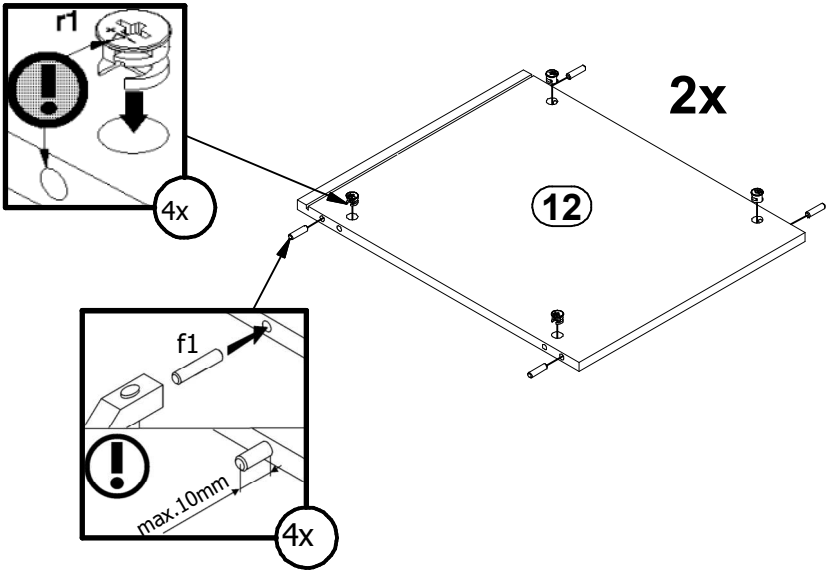
A



B



1

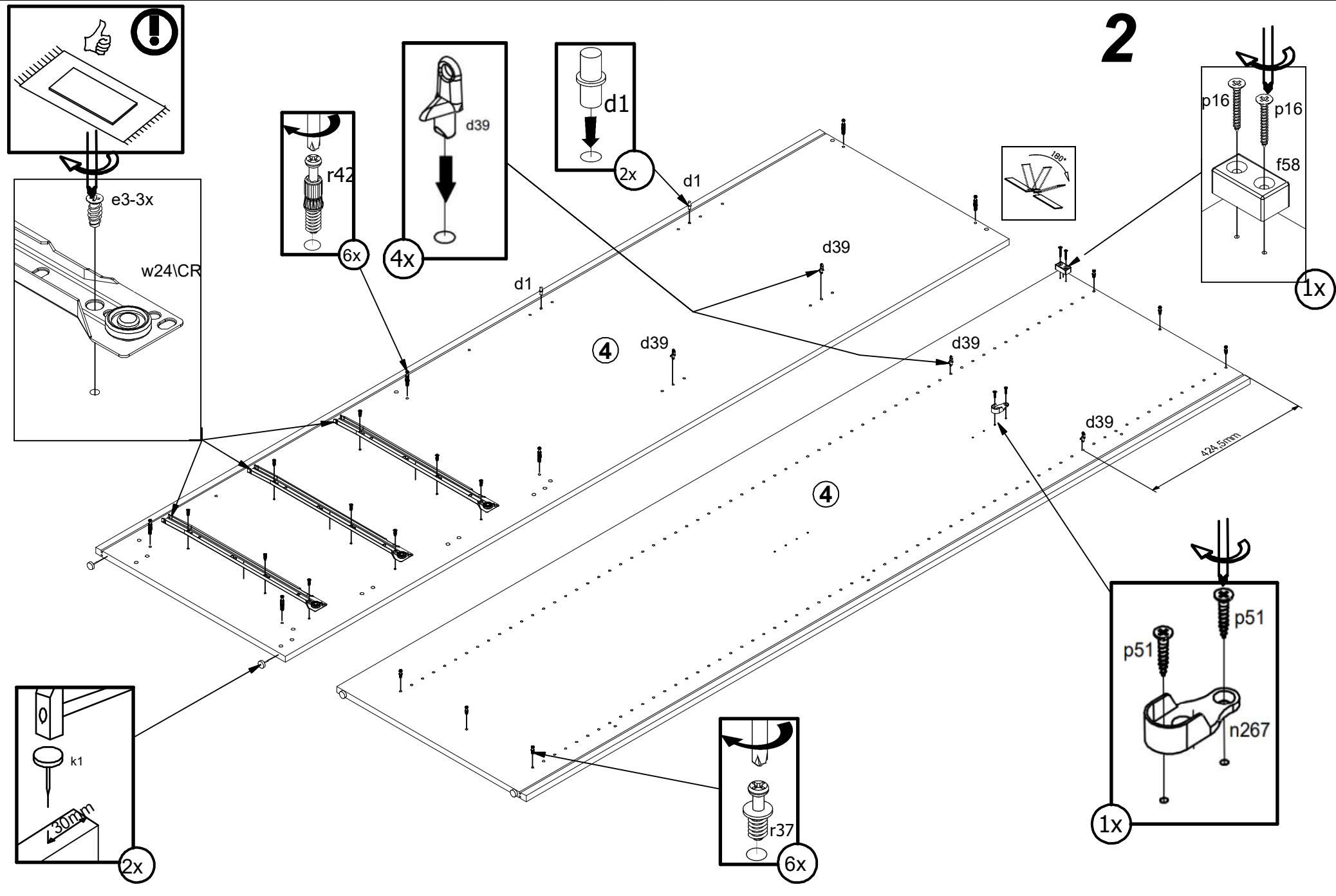


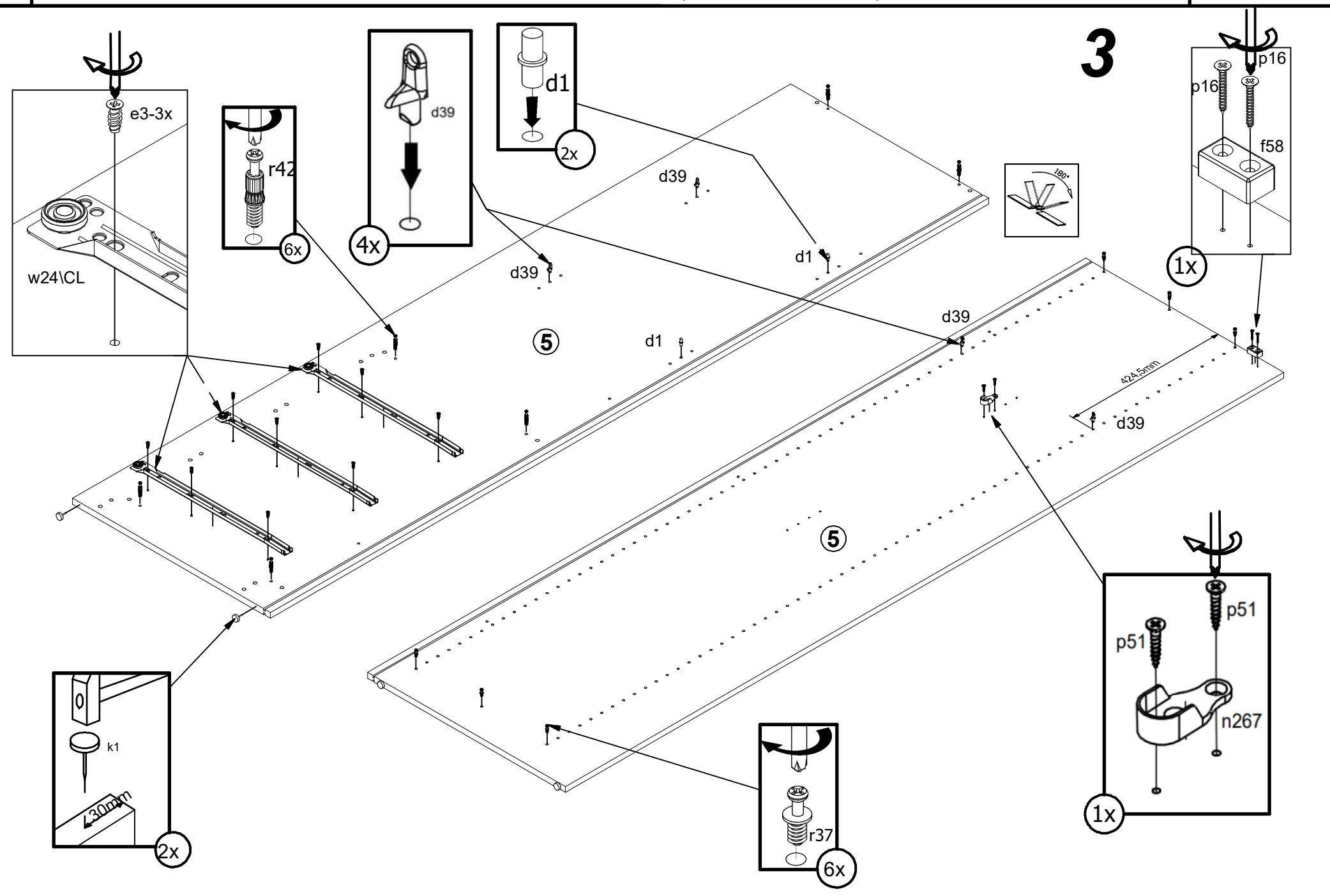
A

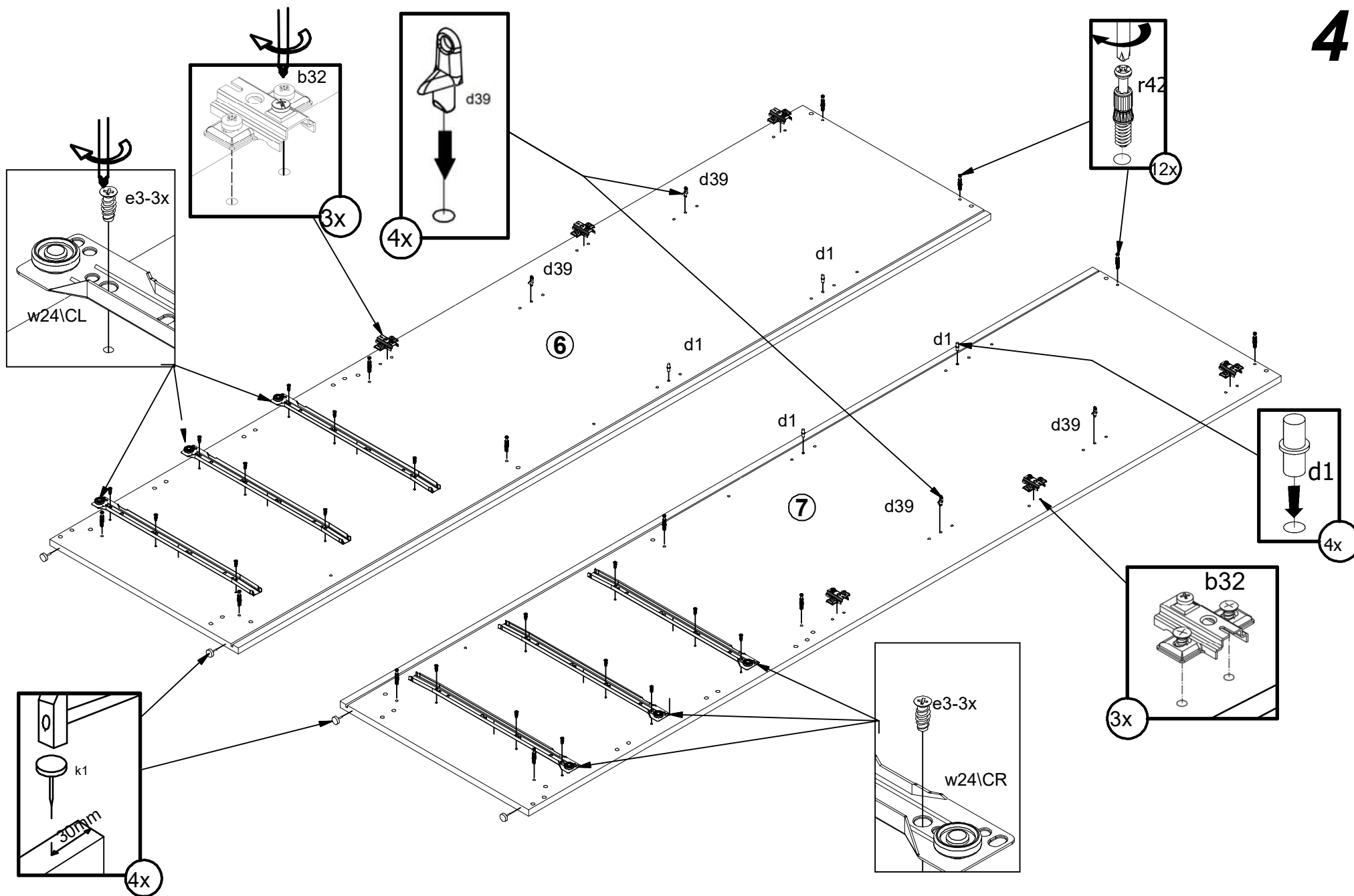
F71-SZF4D6S

24270002/02, 24270004/01, 24270004/04

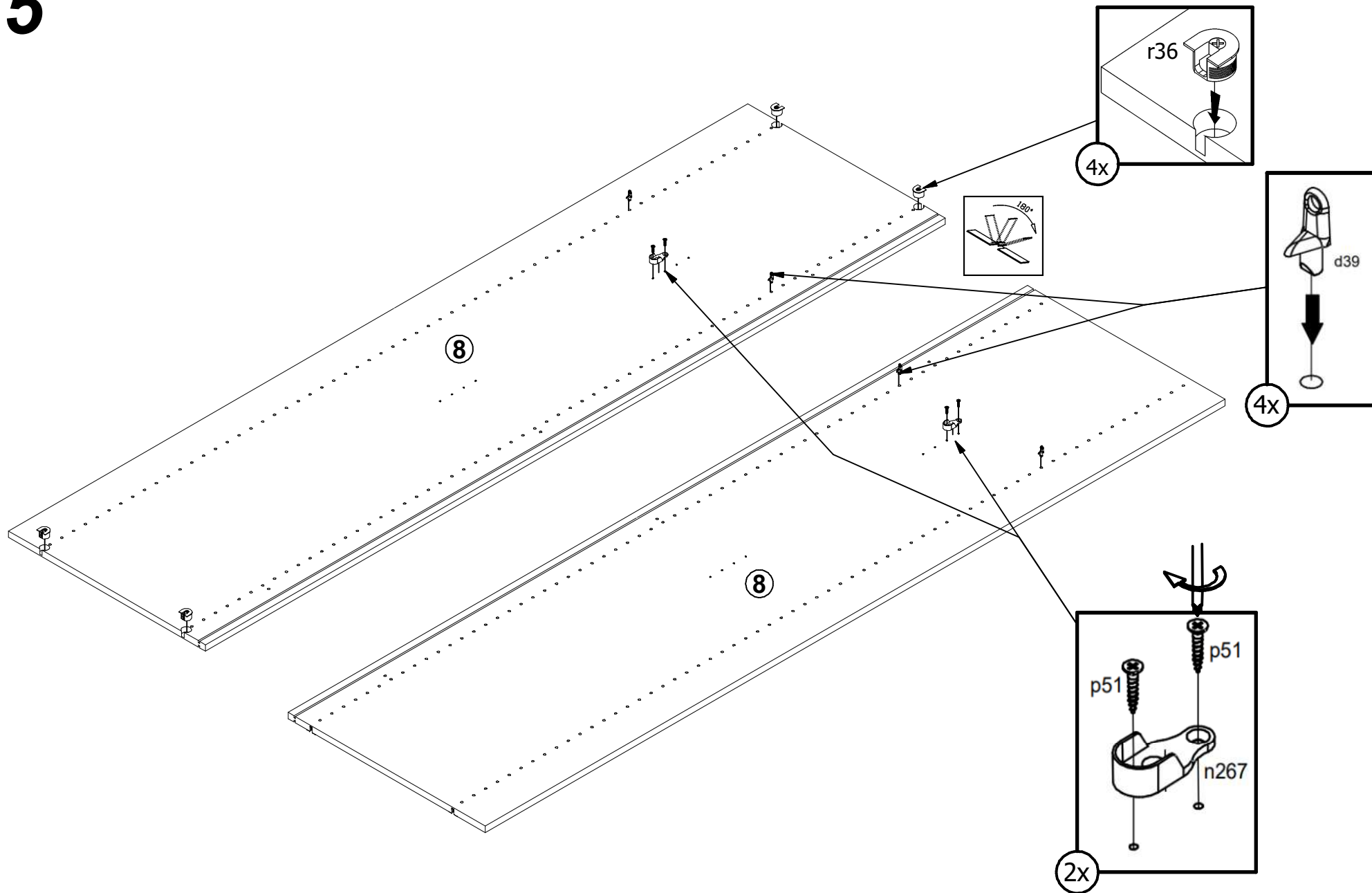
7 / 33

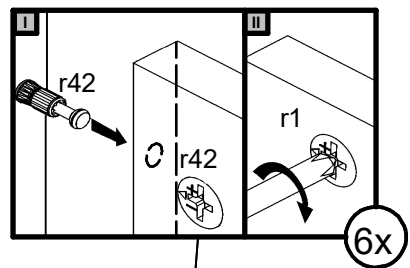




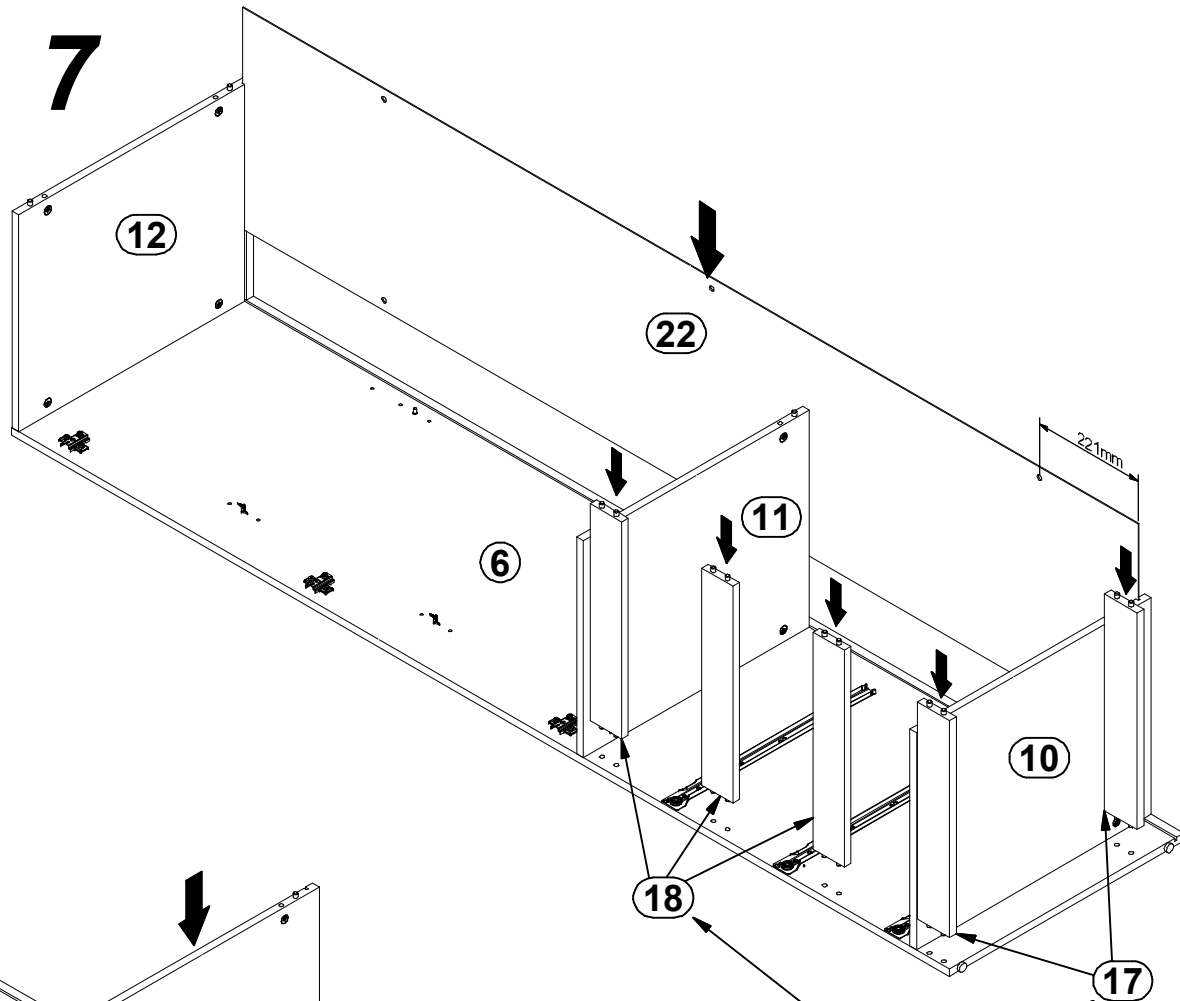


5

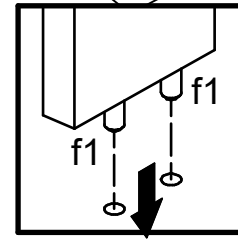
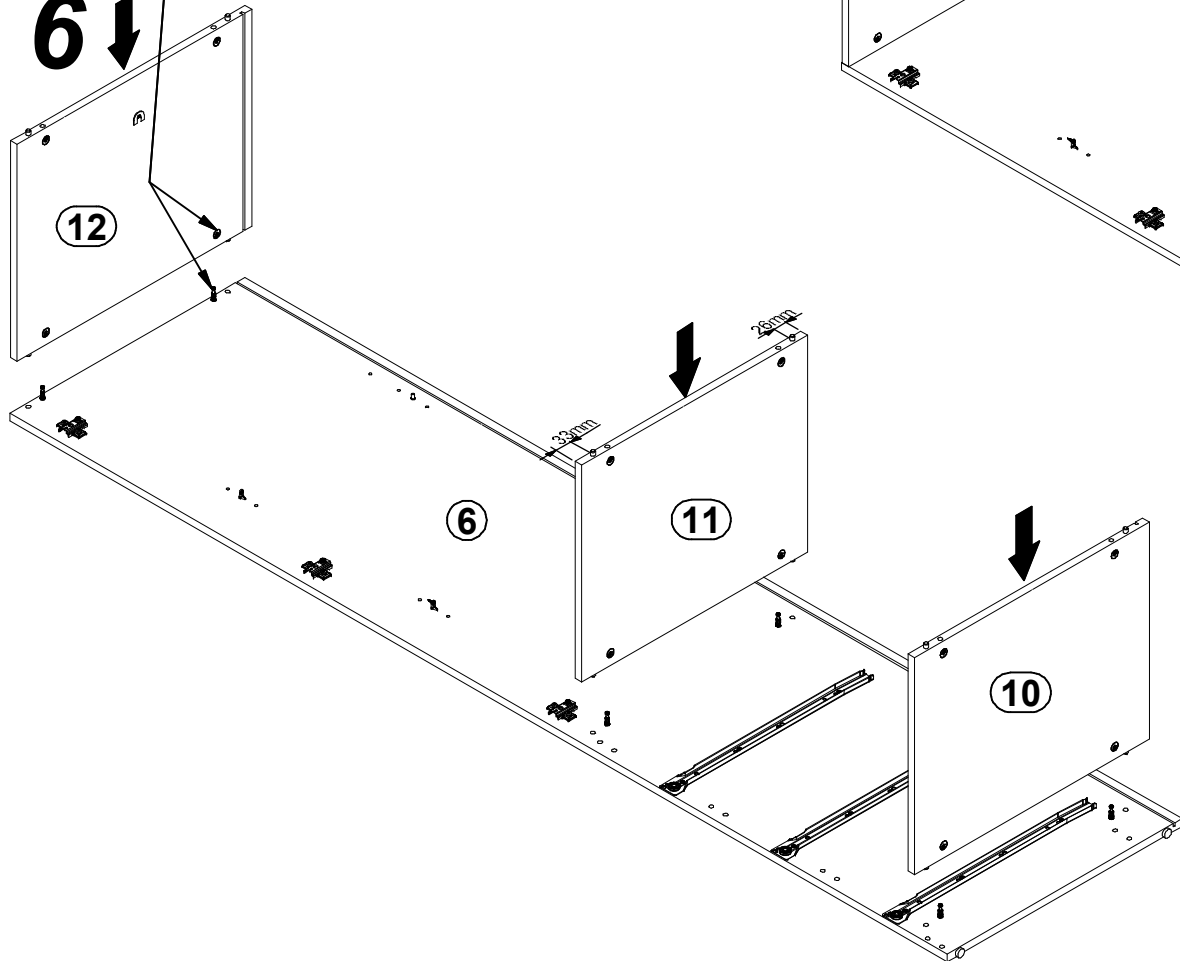


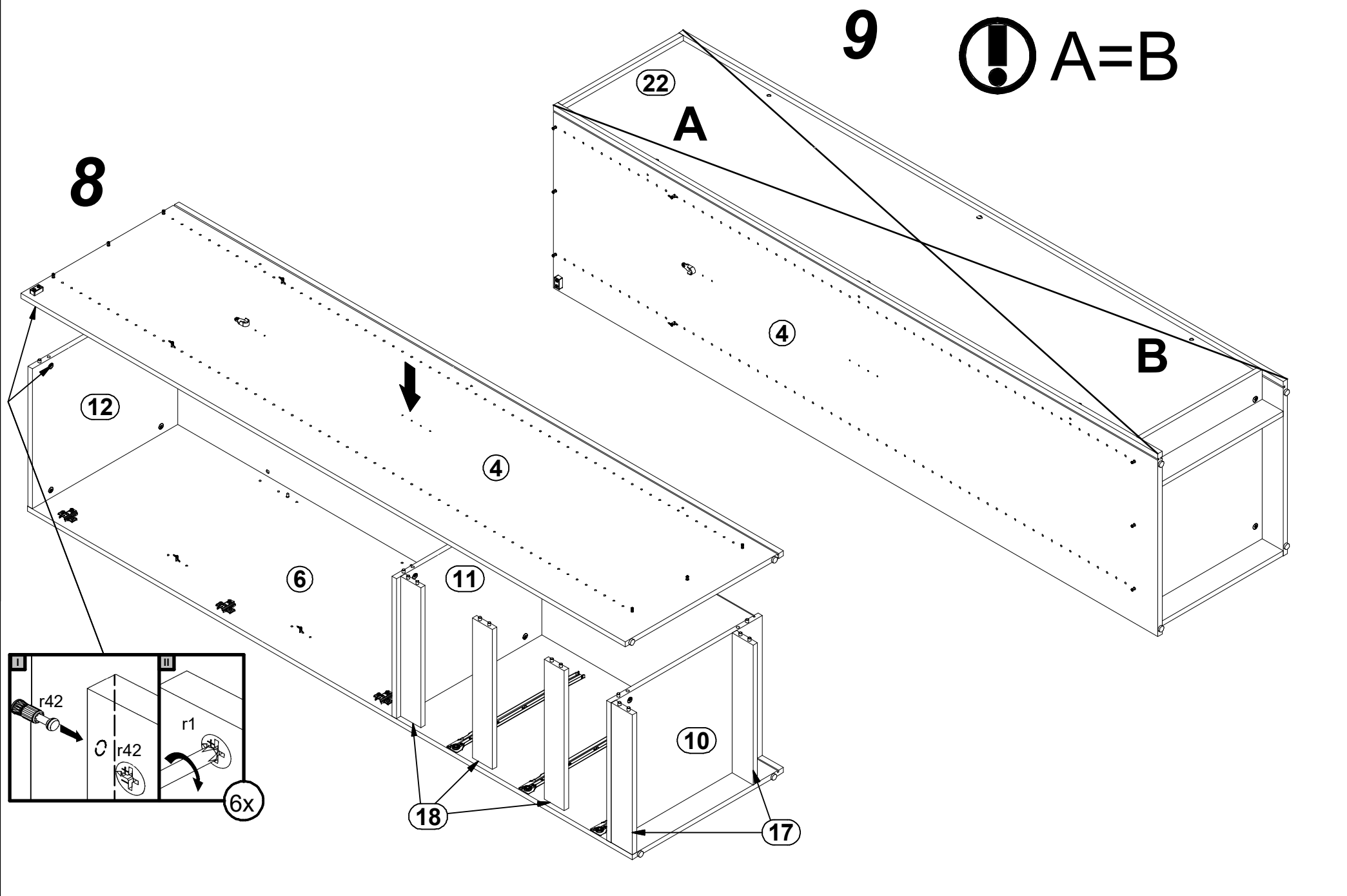


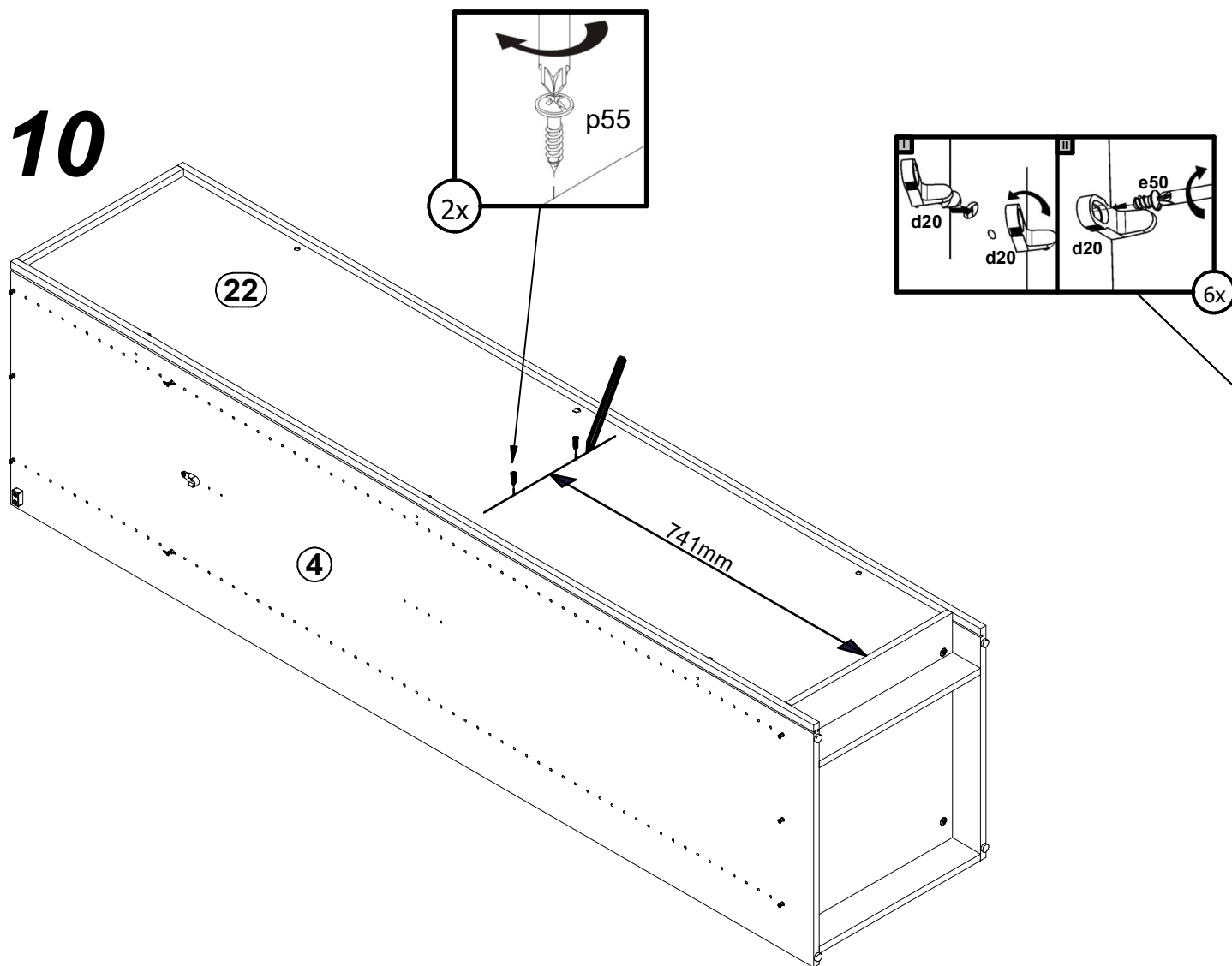
7



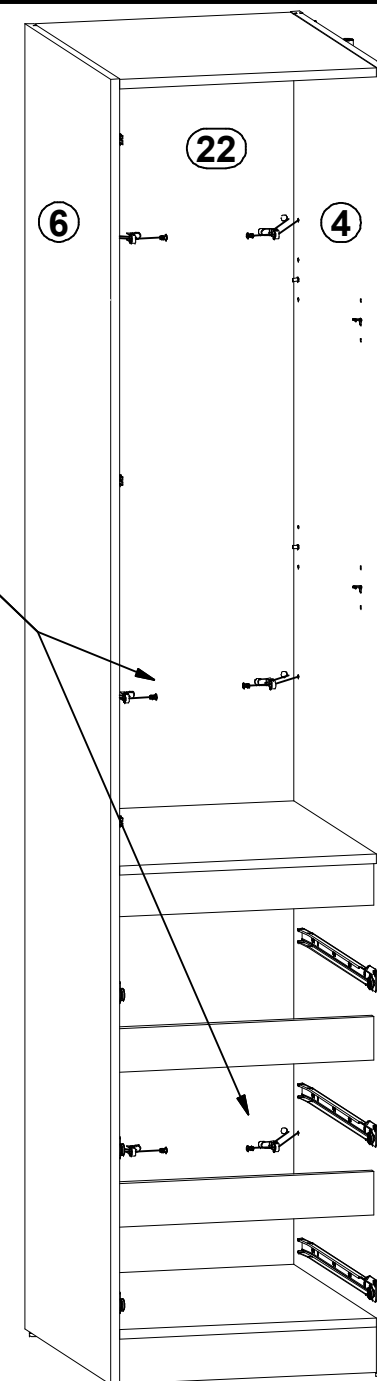
6

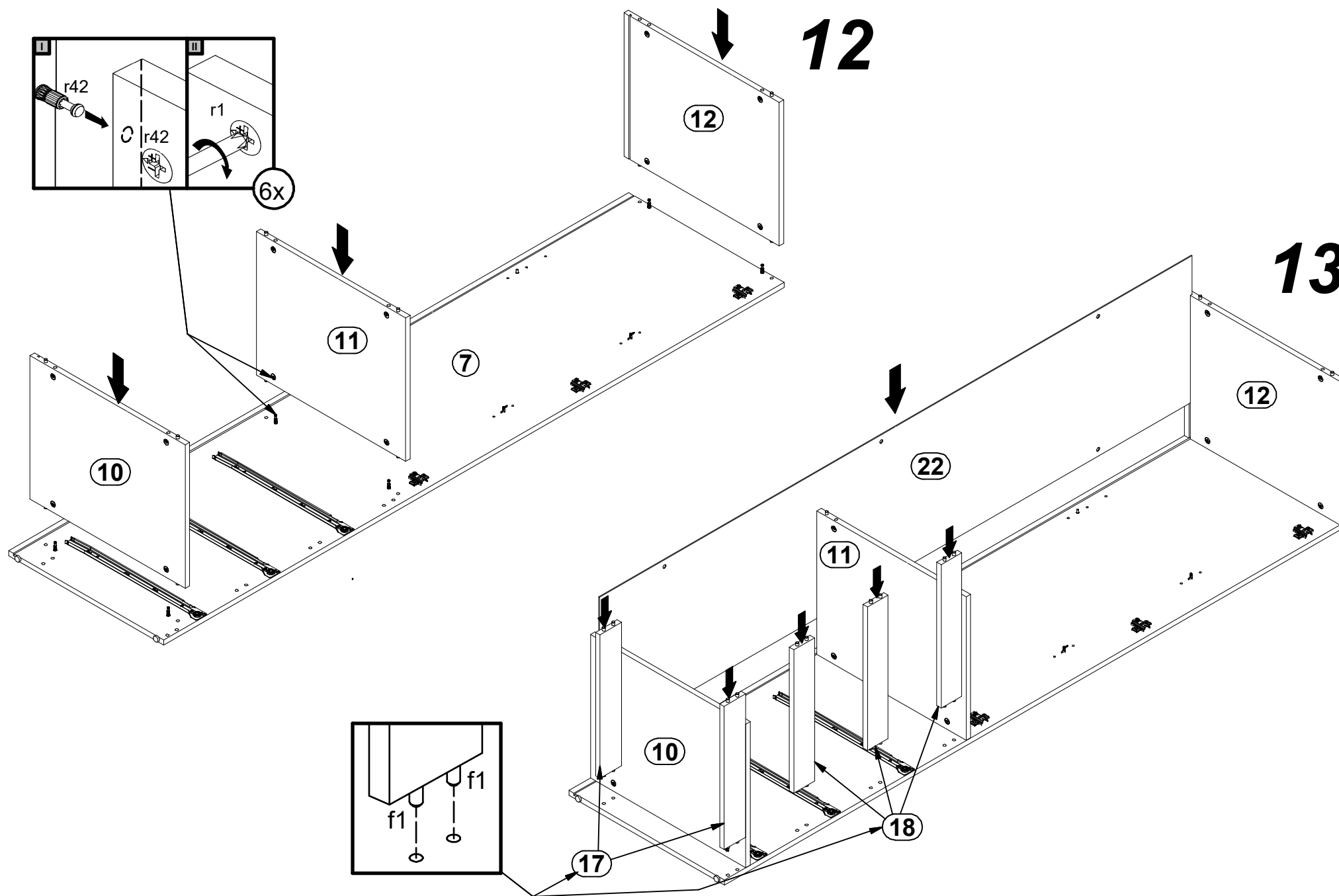


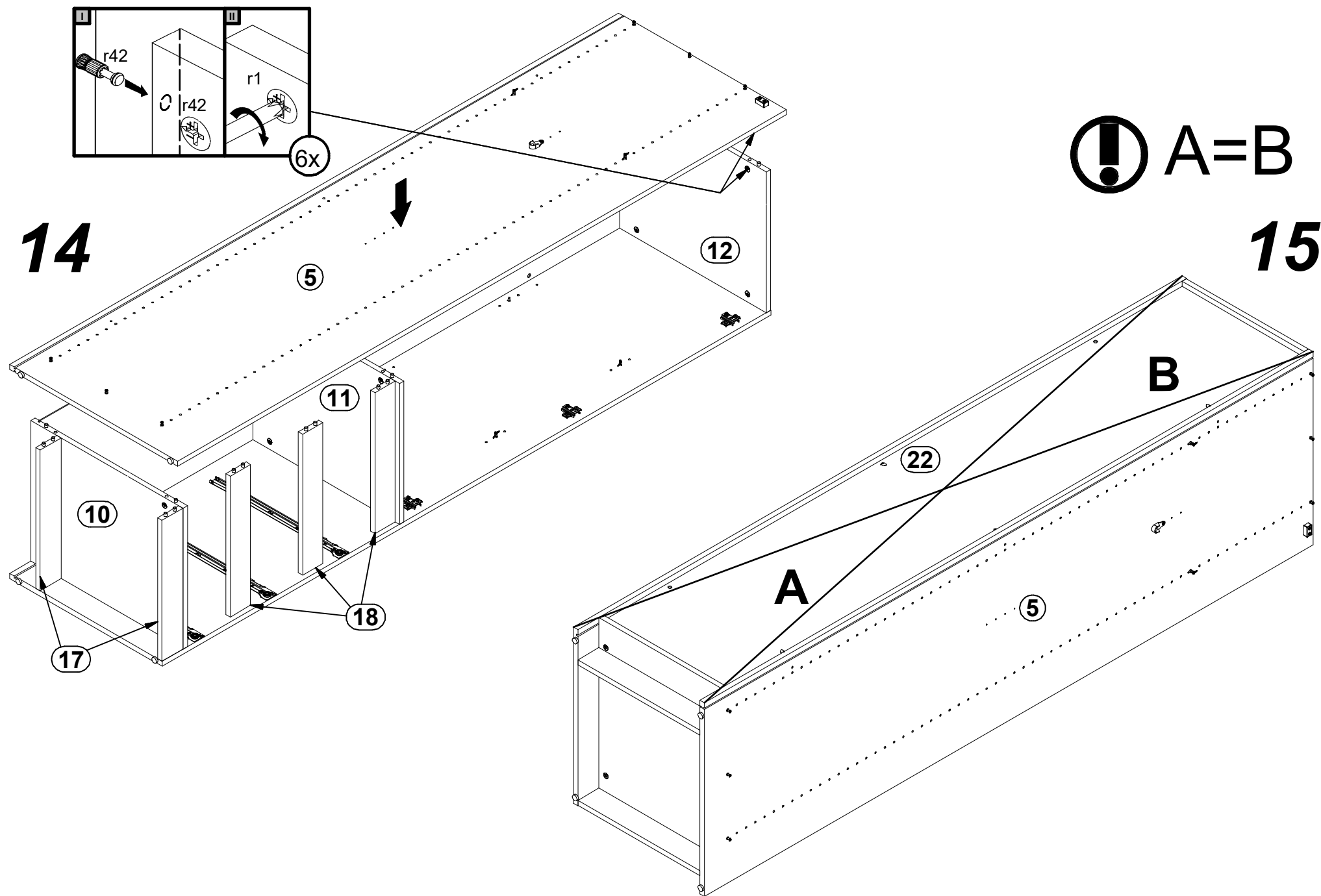


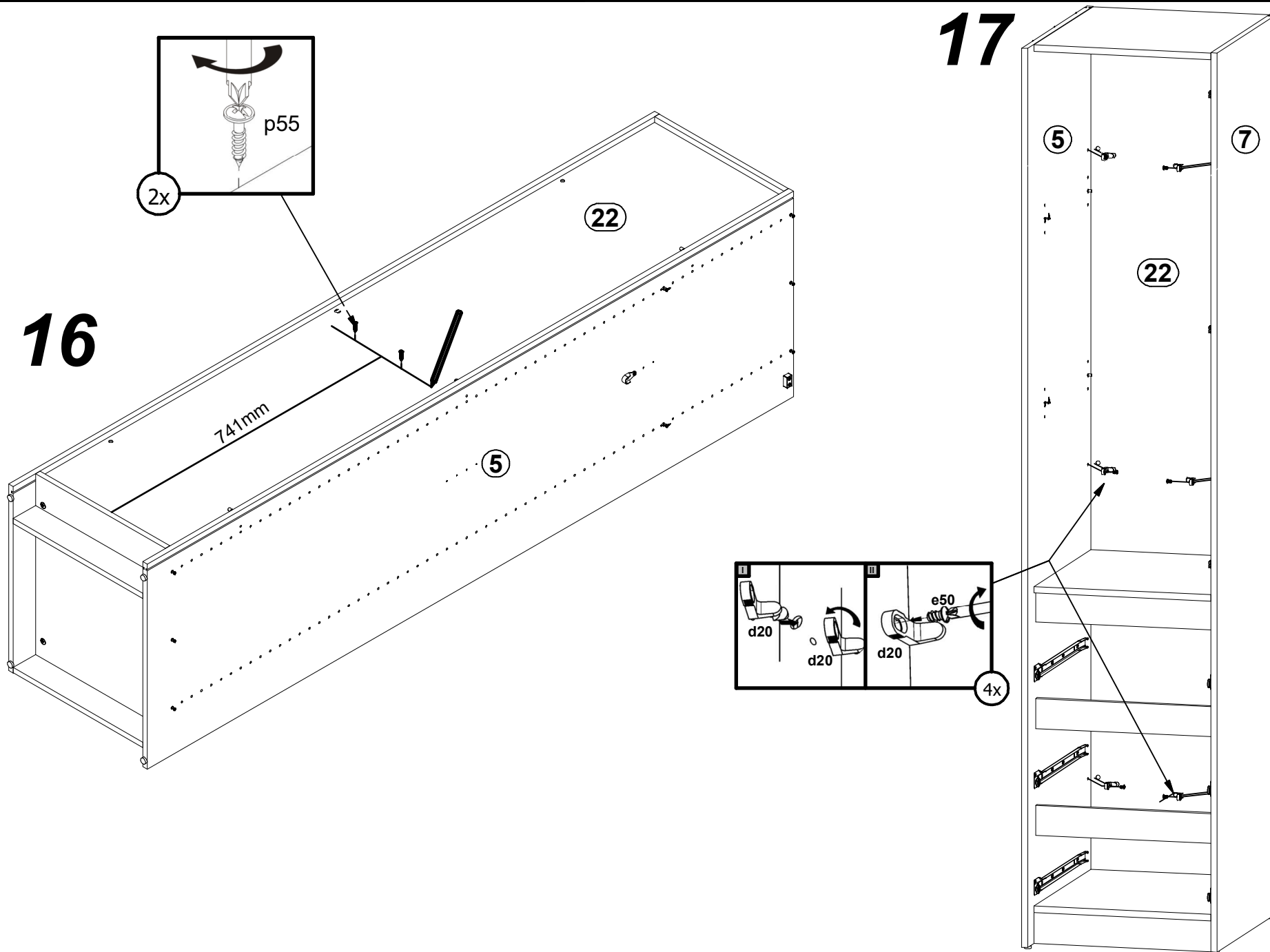


11

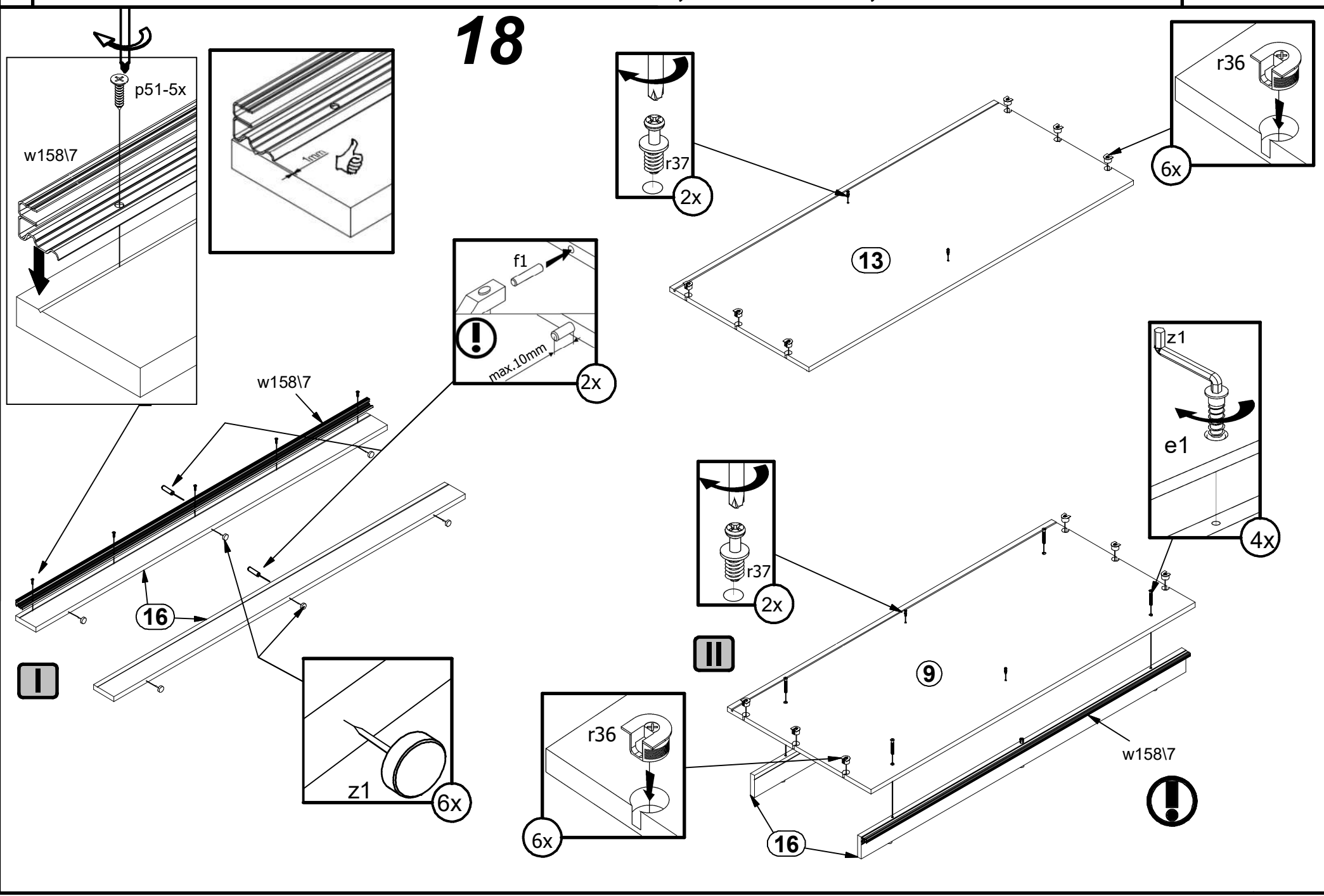




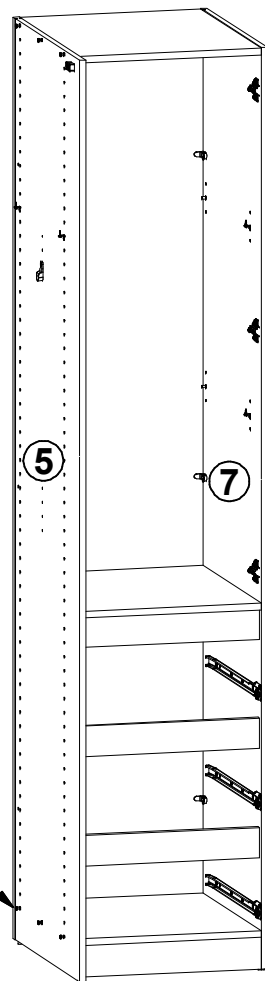




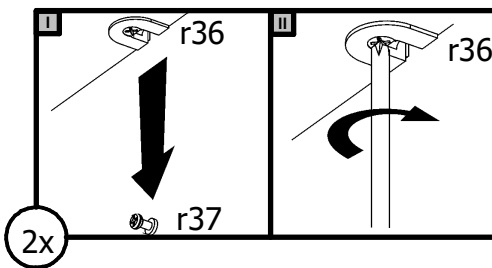
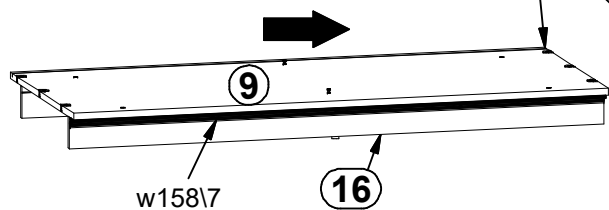
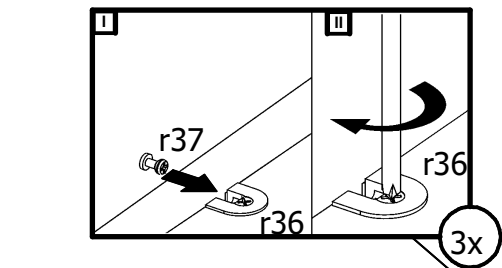
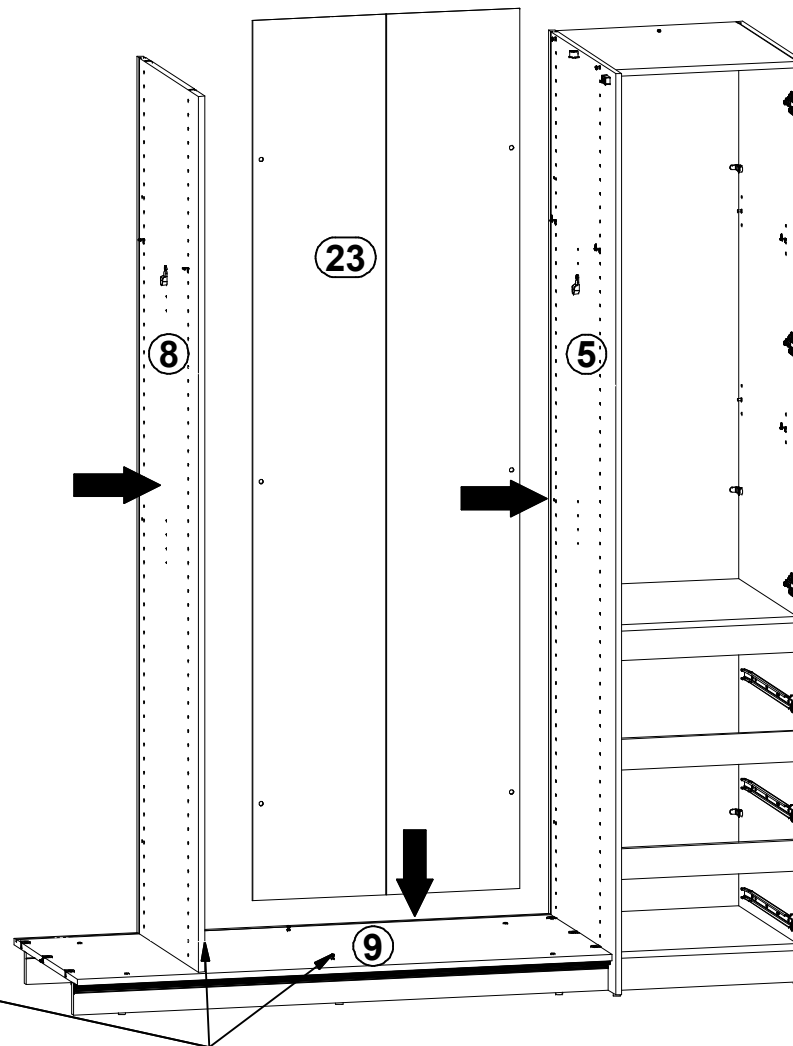
18



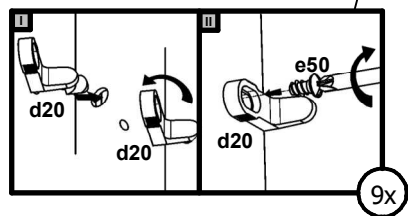
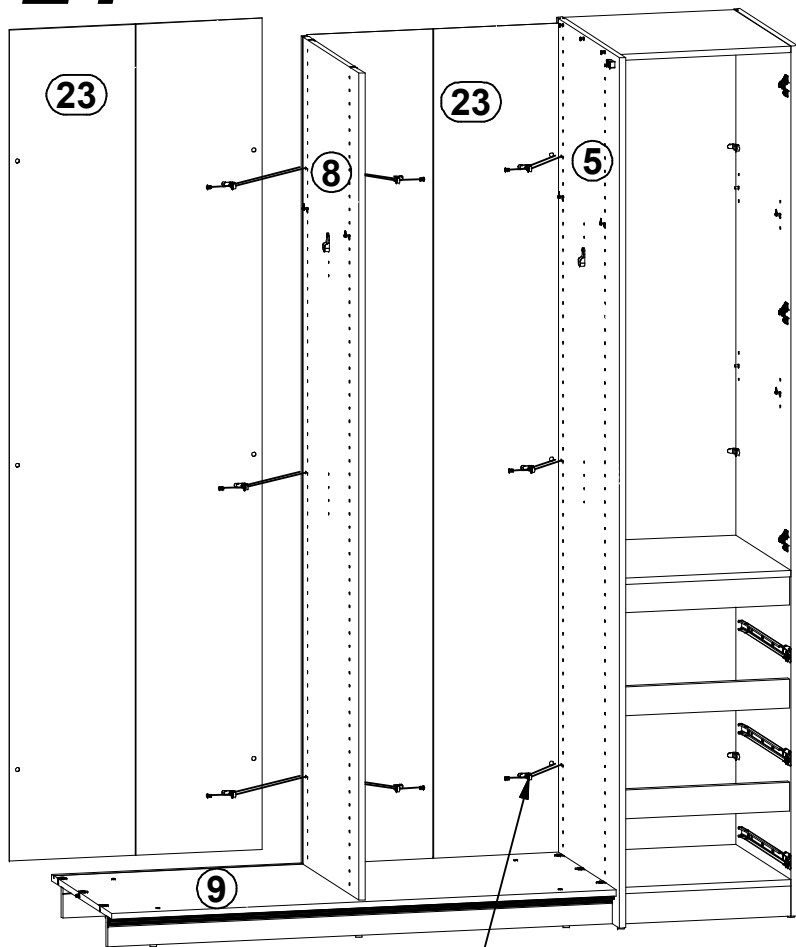
19



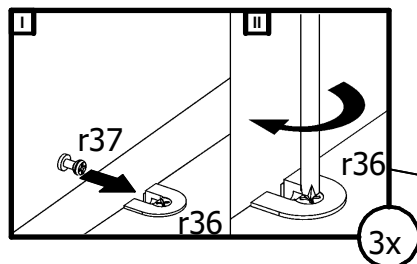
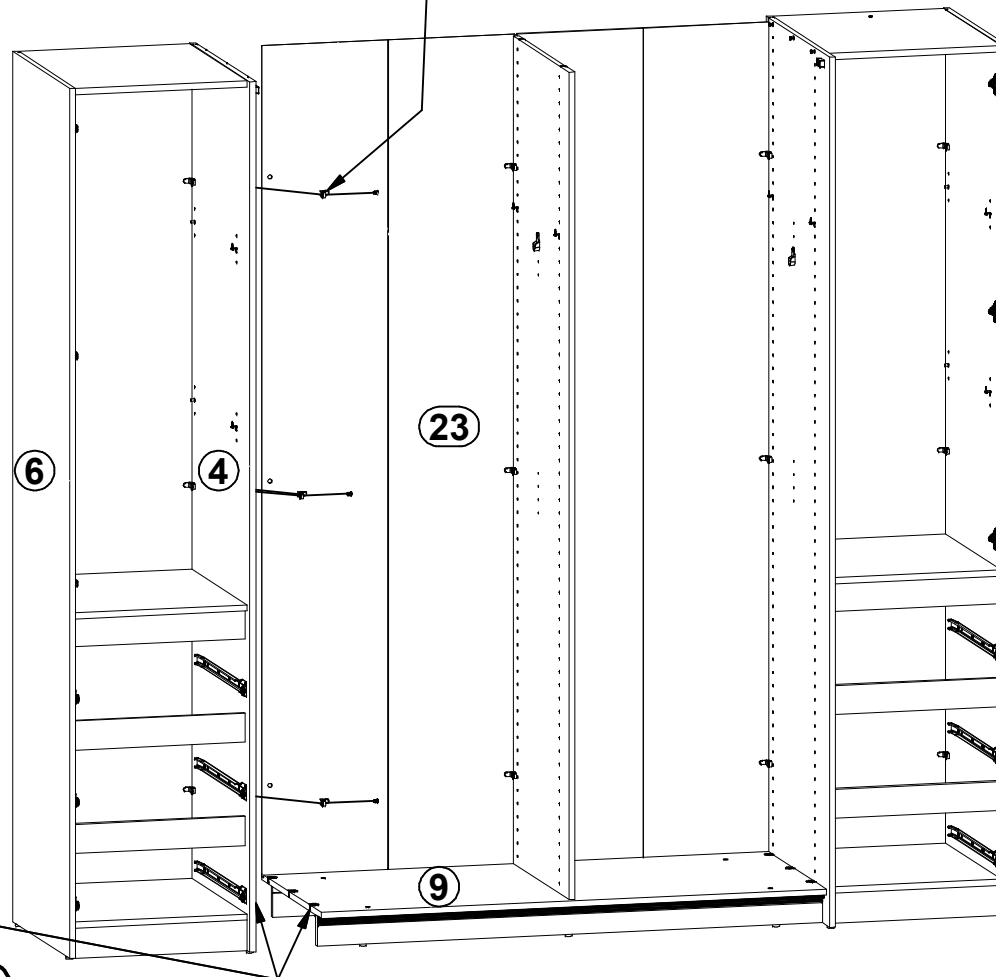
20



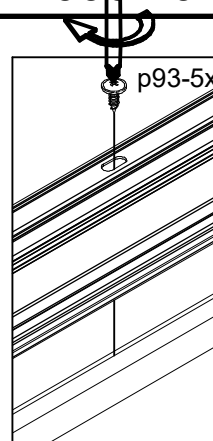
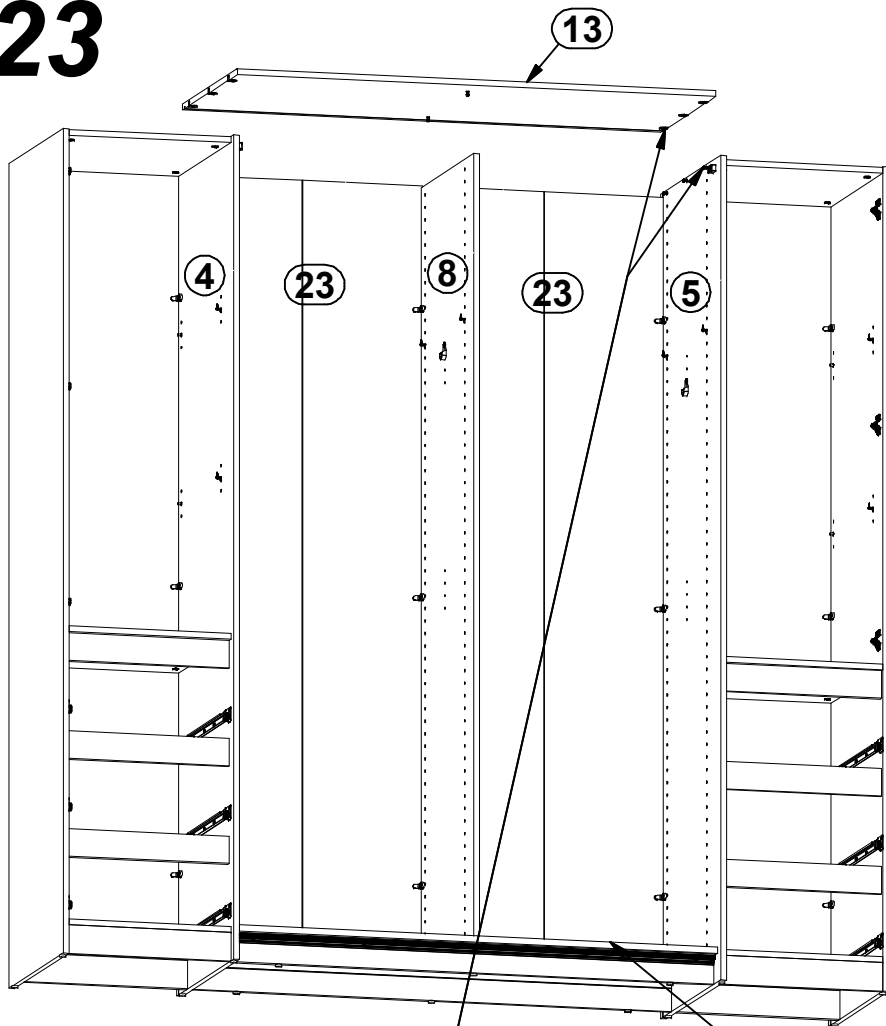
21



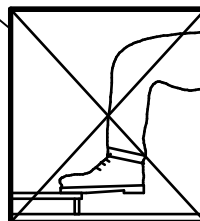
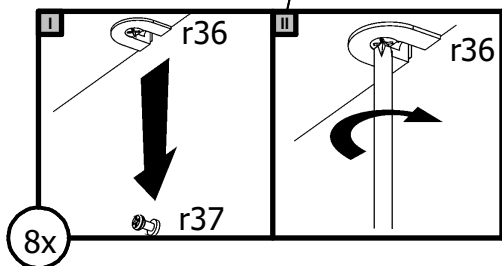
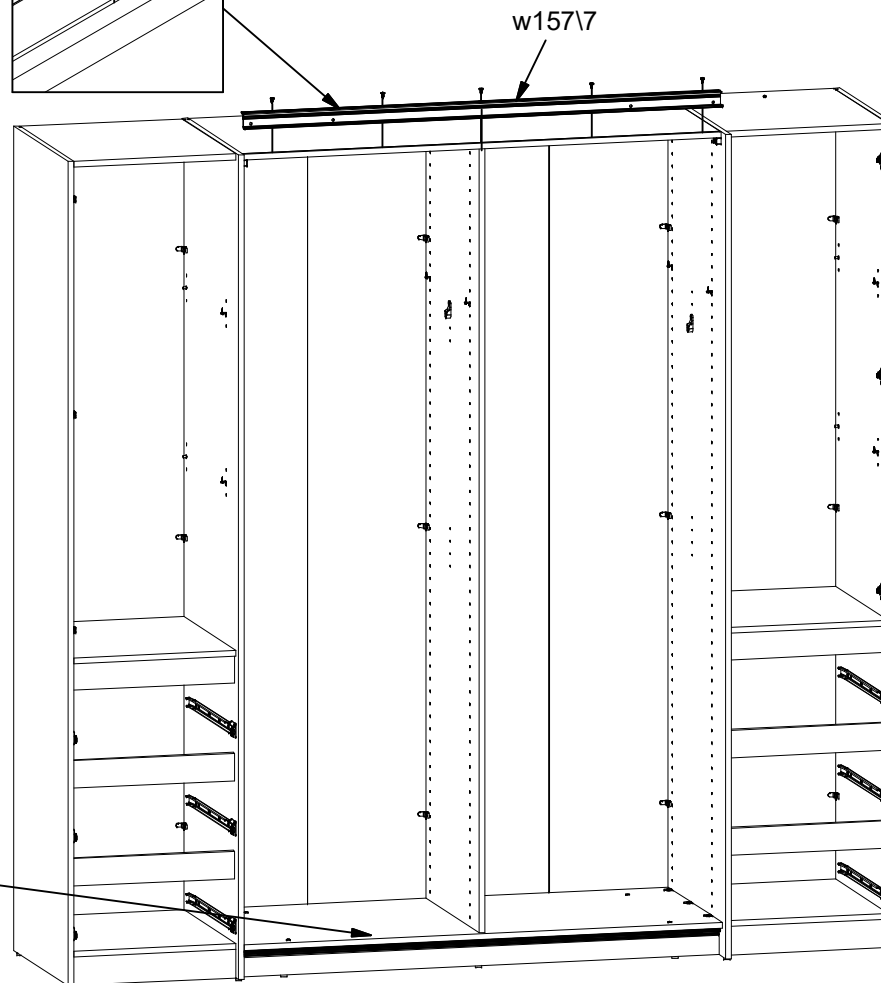
22



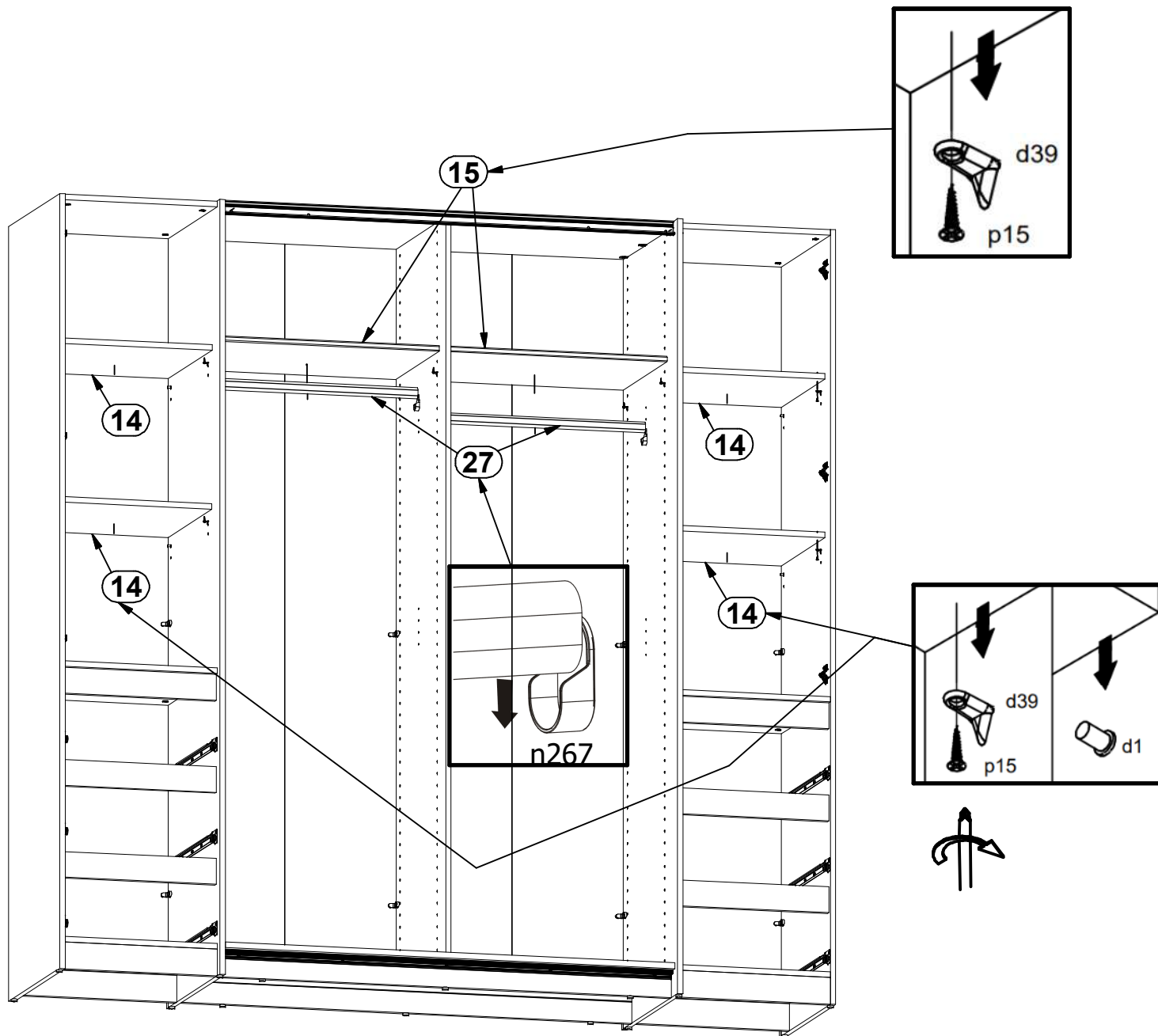
23



24

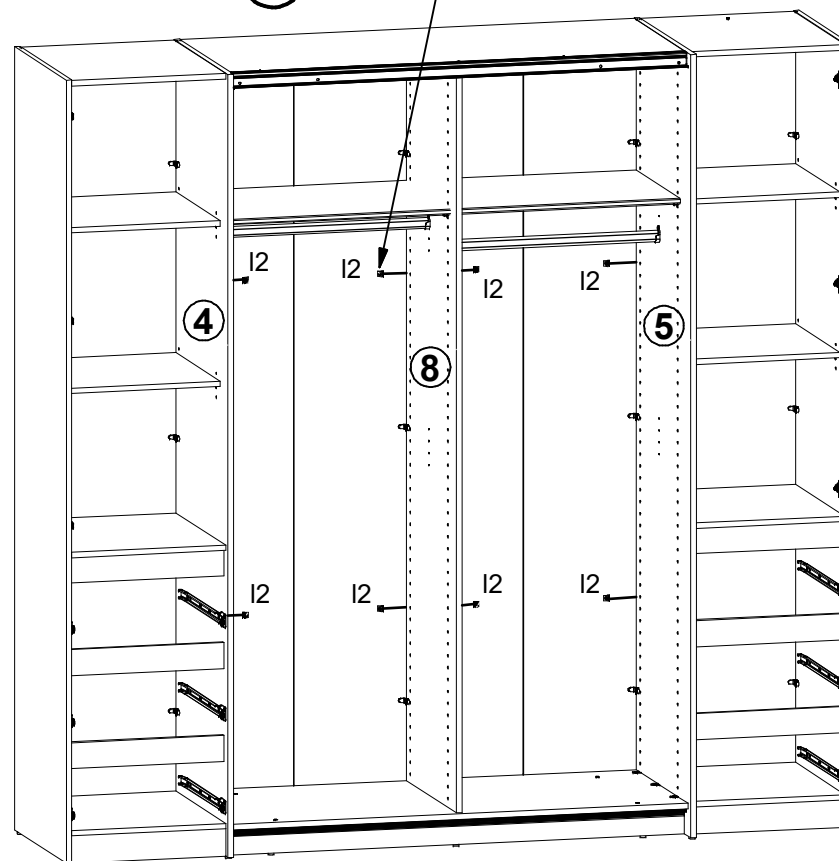
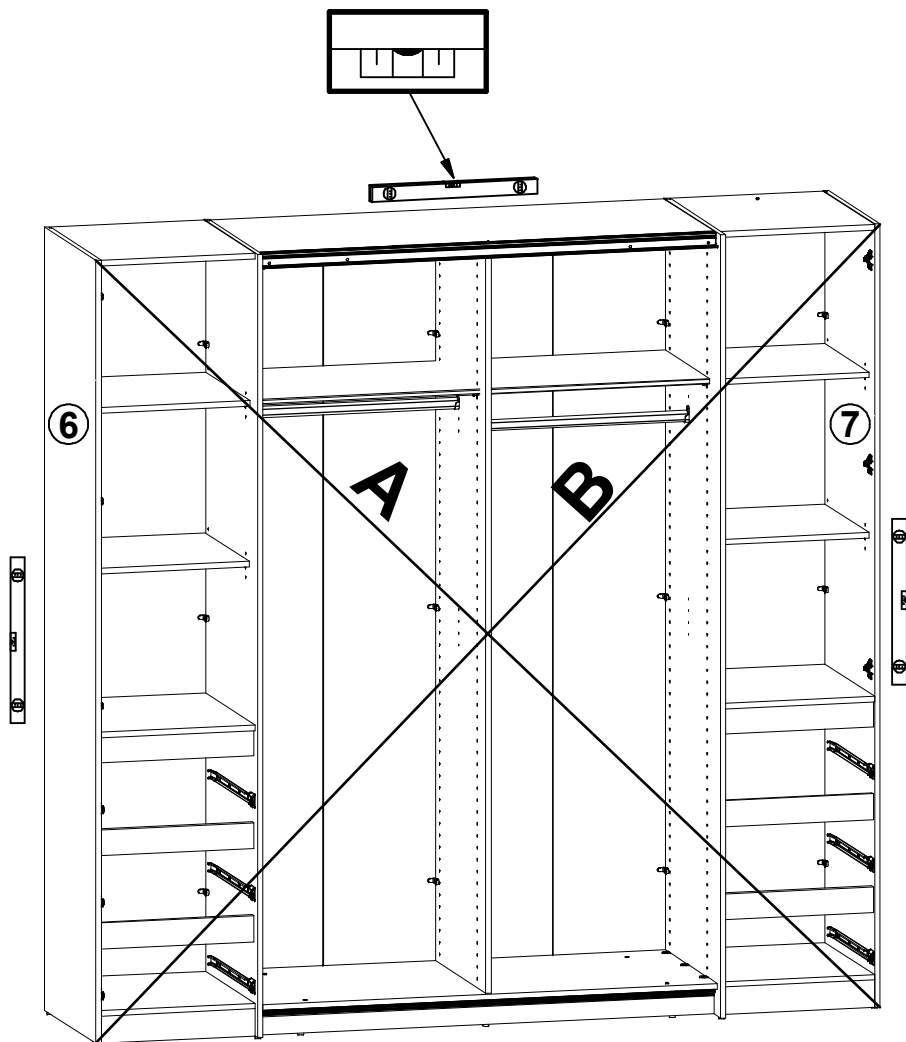
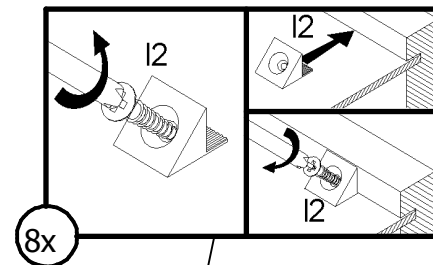


25

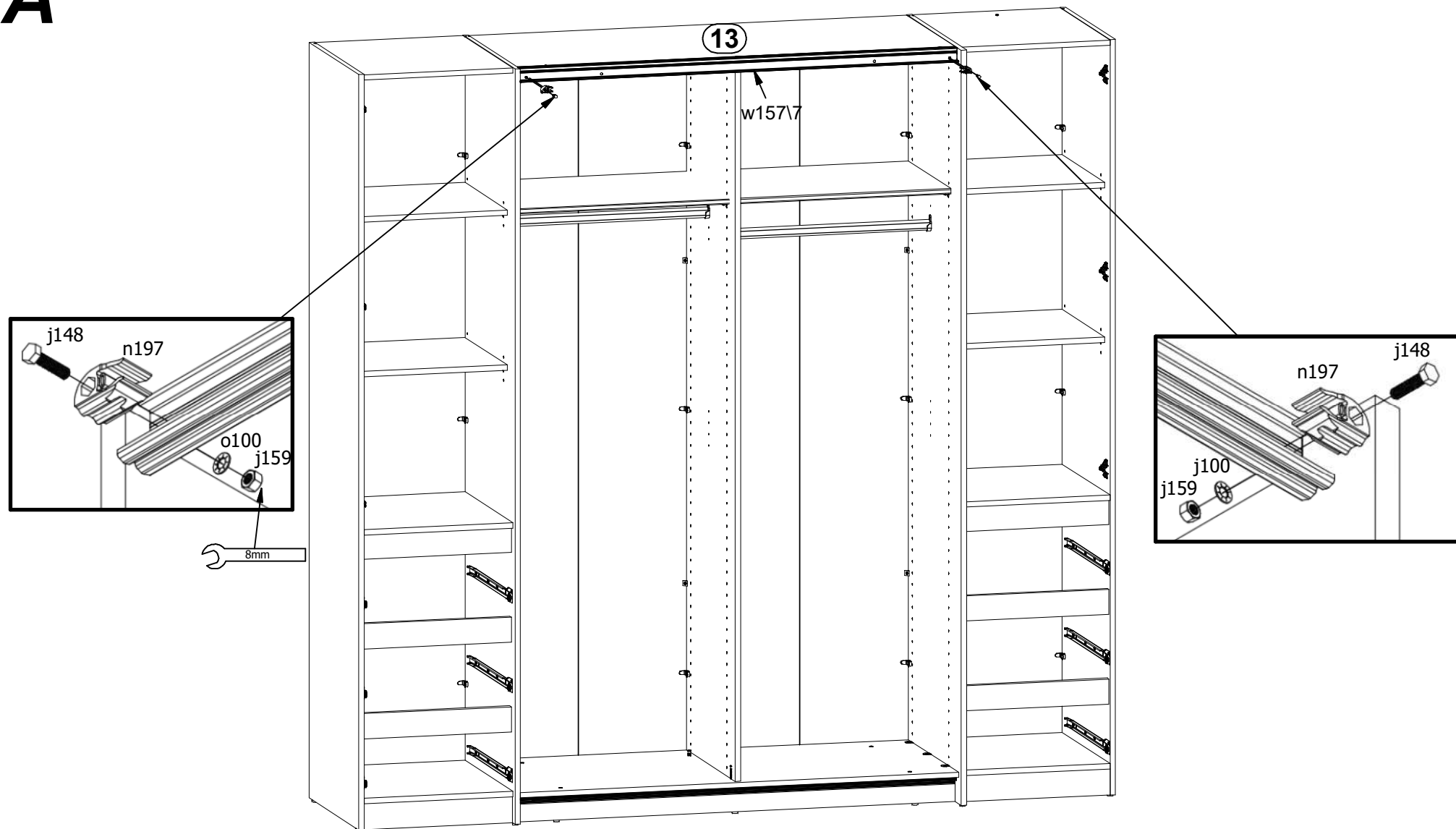


! A=B

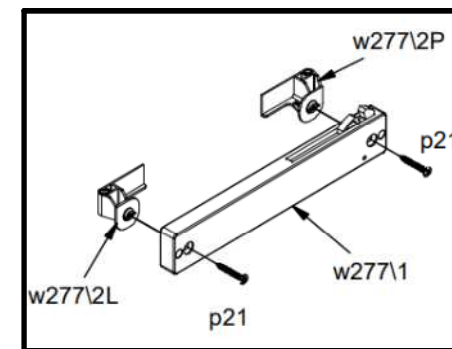
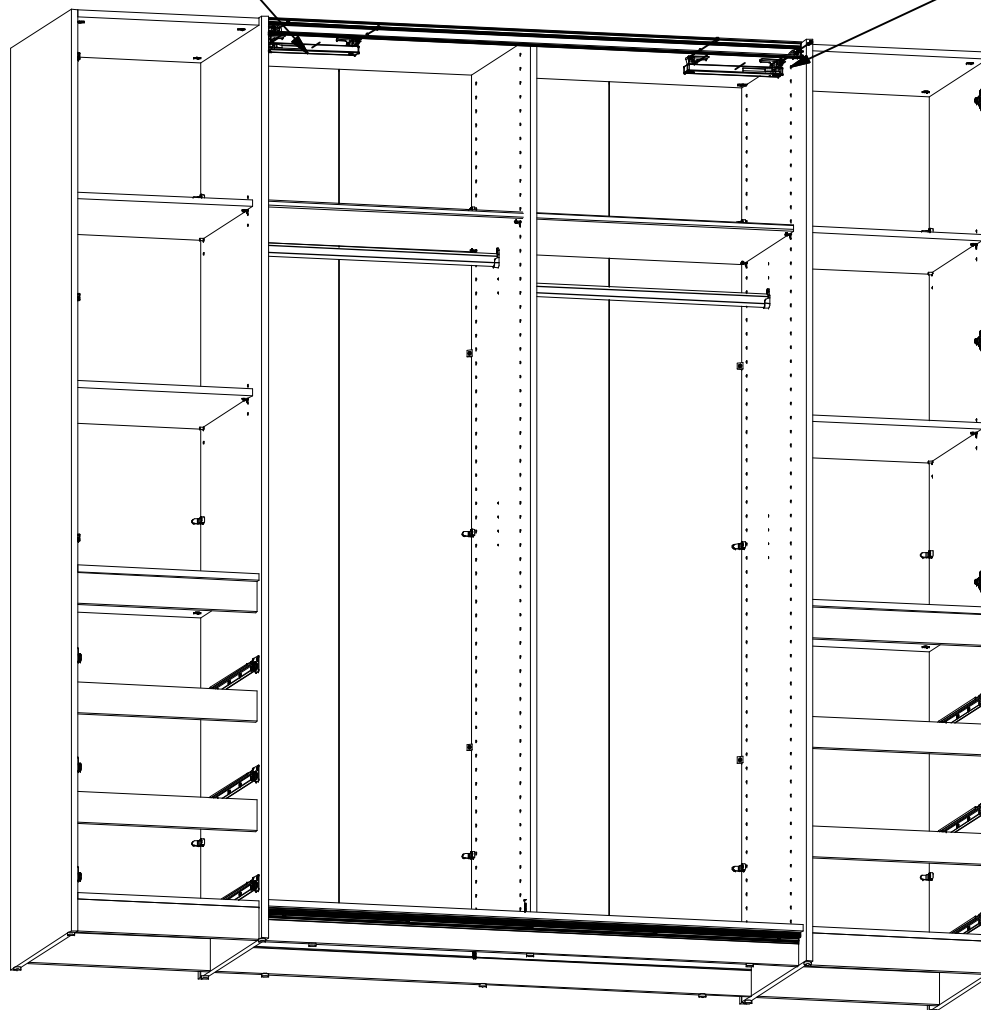
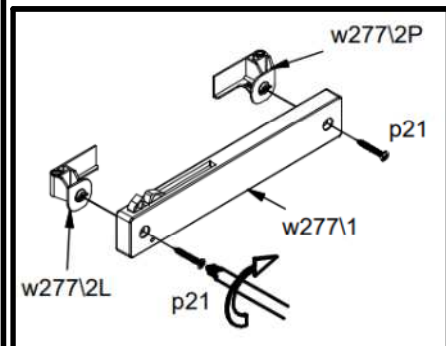
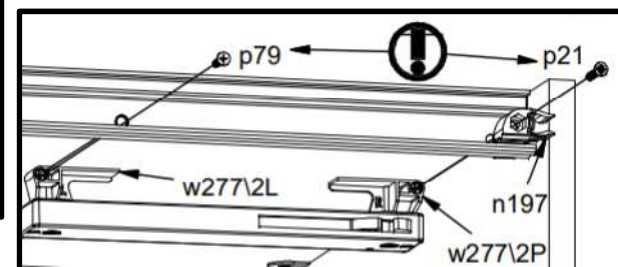
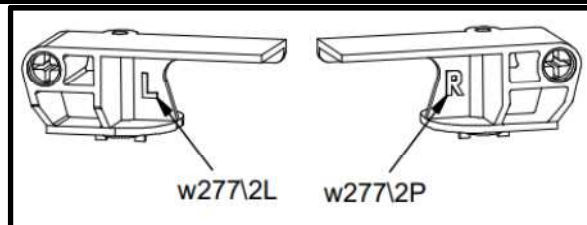
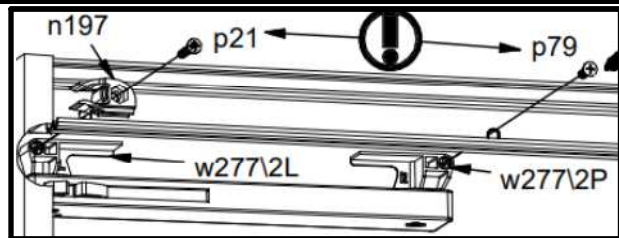
26



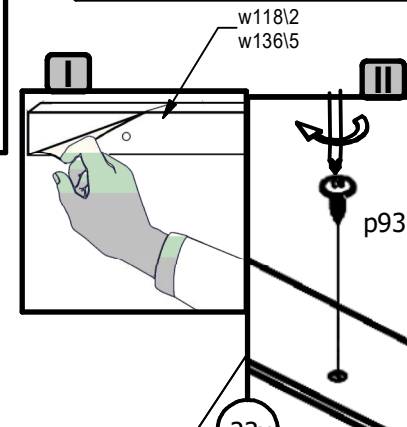
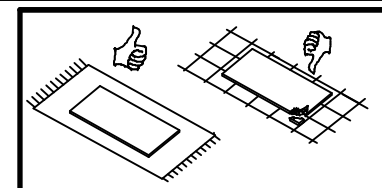
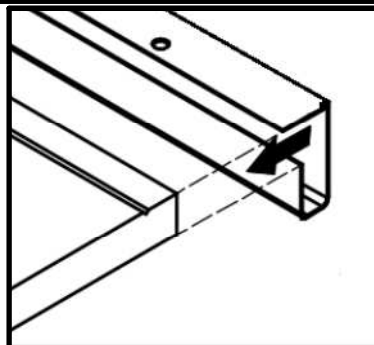
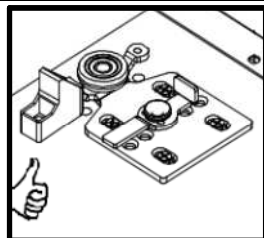
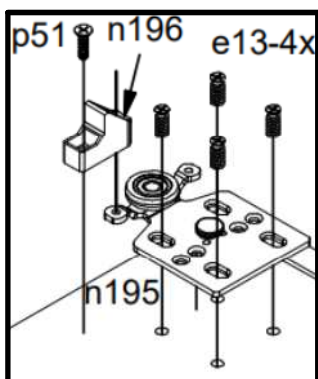
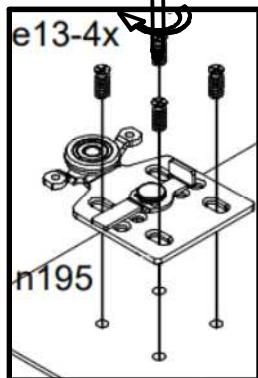
27 A



27
B



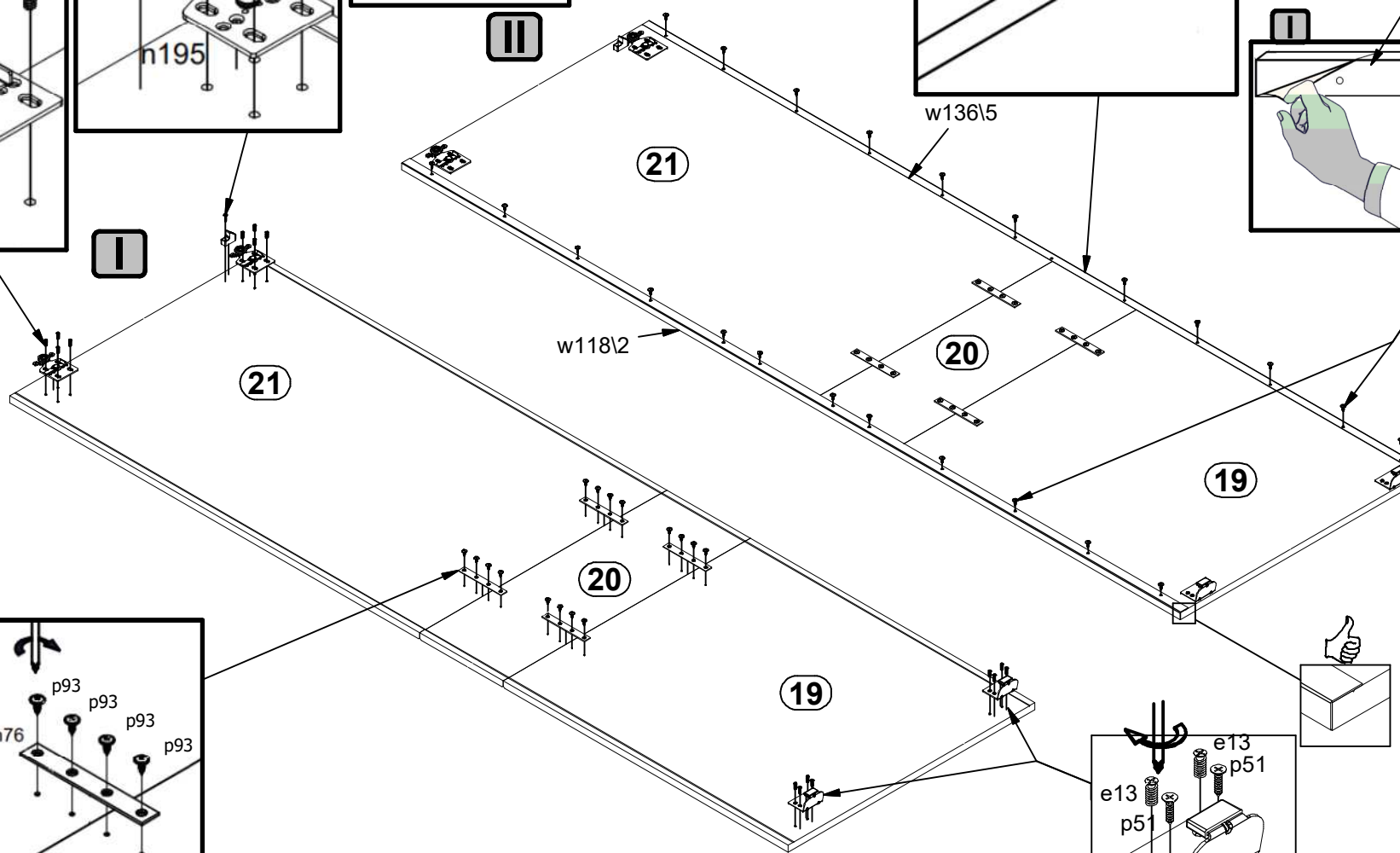
28



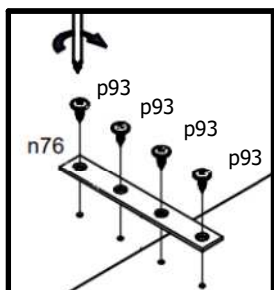
I

II

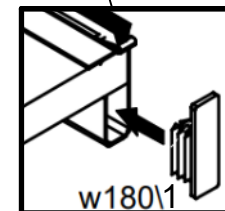
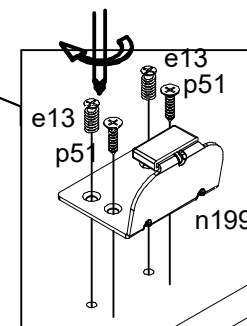
L



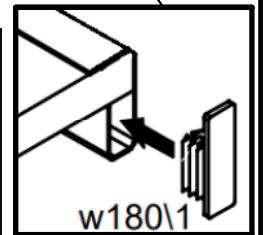
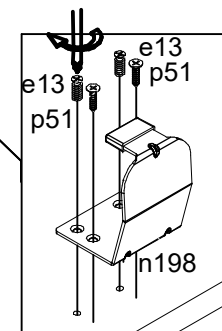
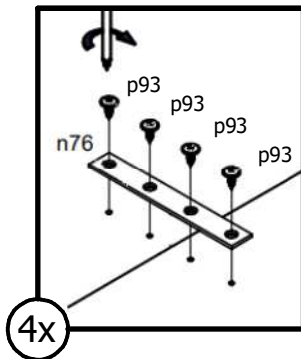
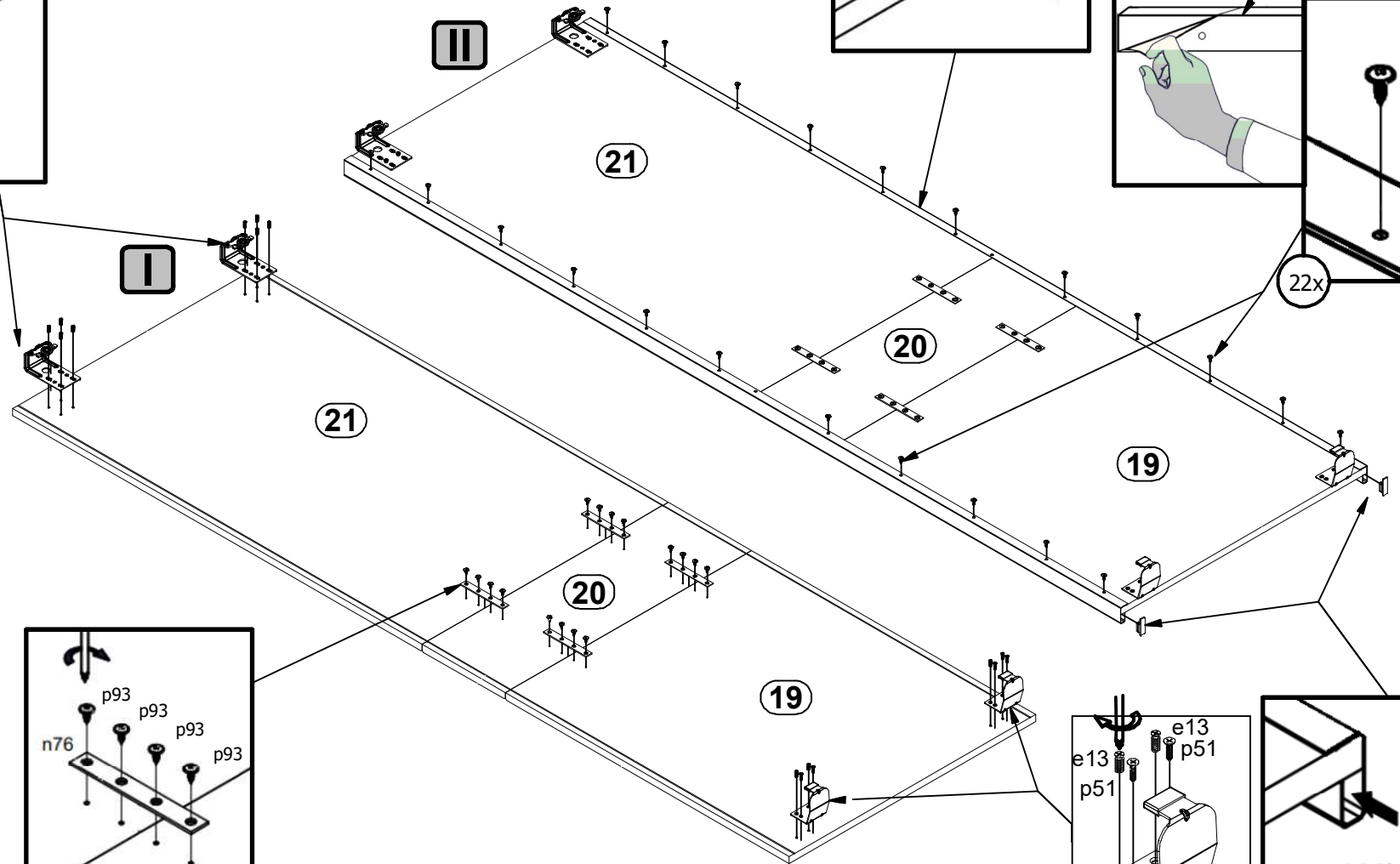
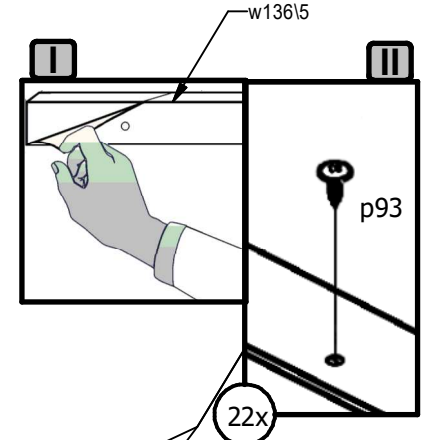
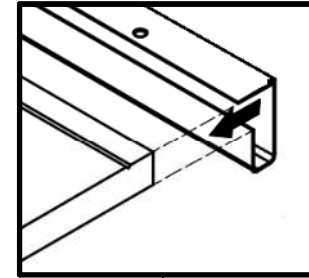
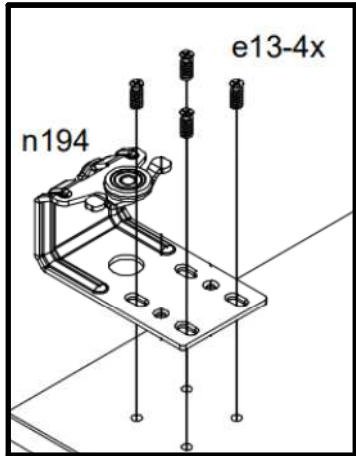
23x



4x



R



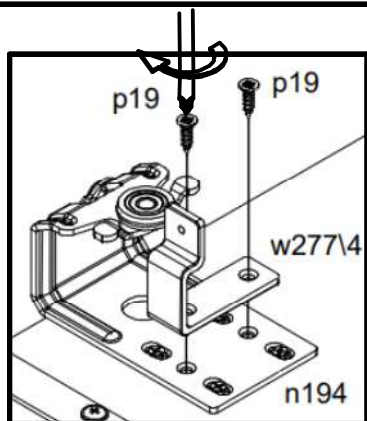
A

F71-SZF4D

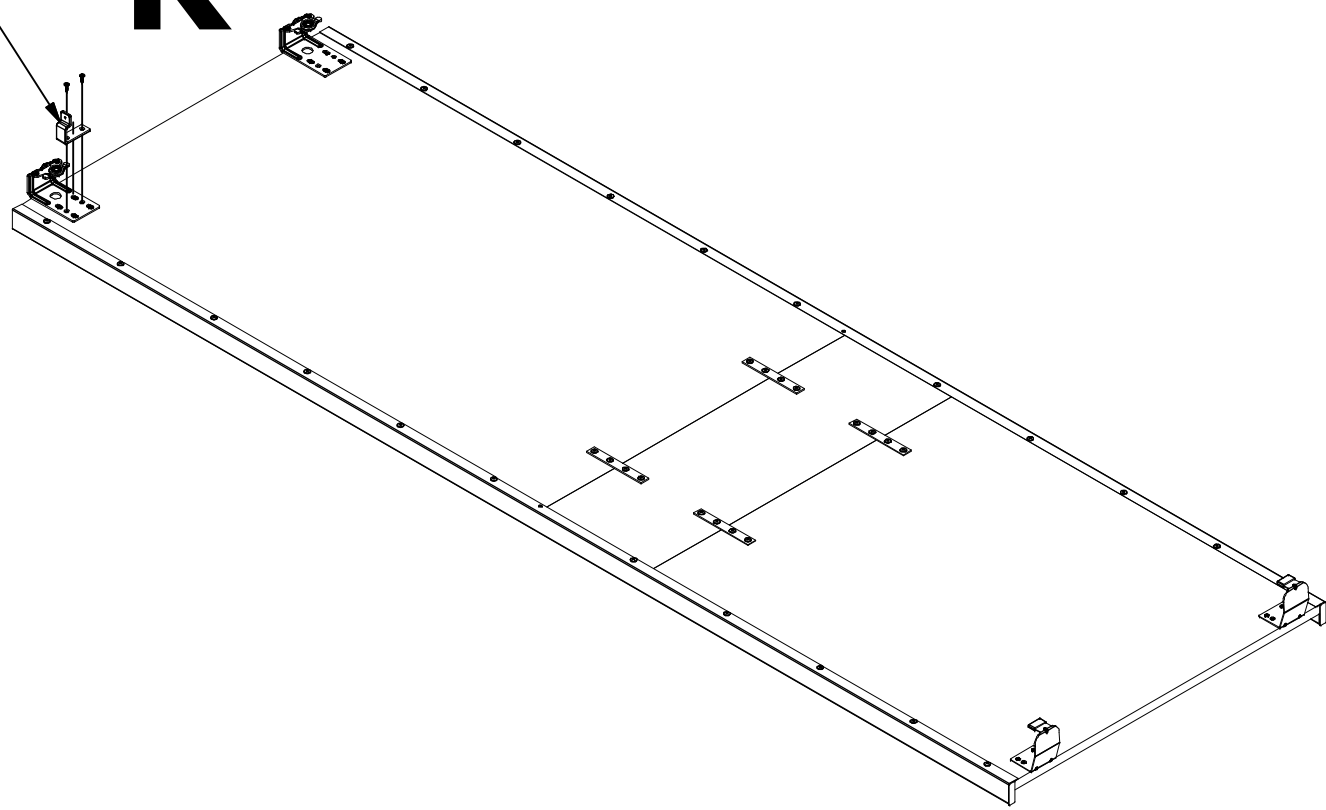
24270002/01, 24270004/02, 24270004/03

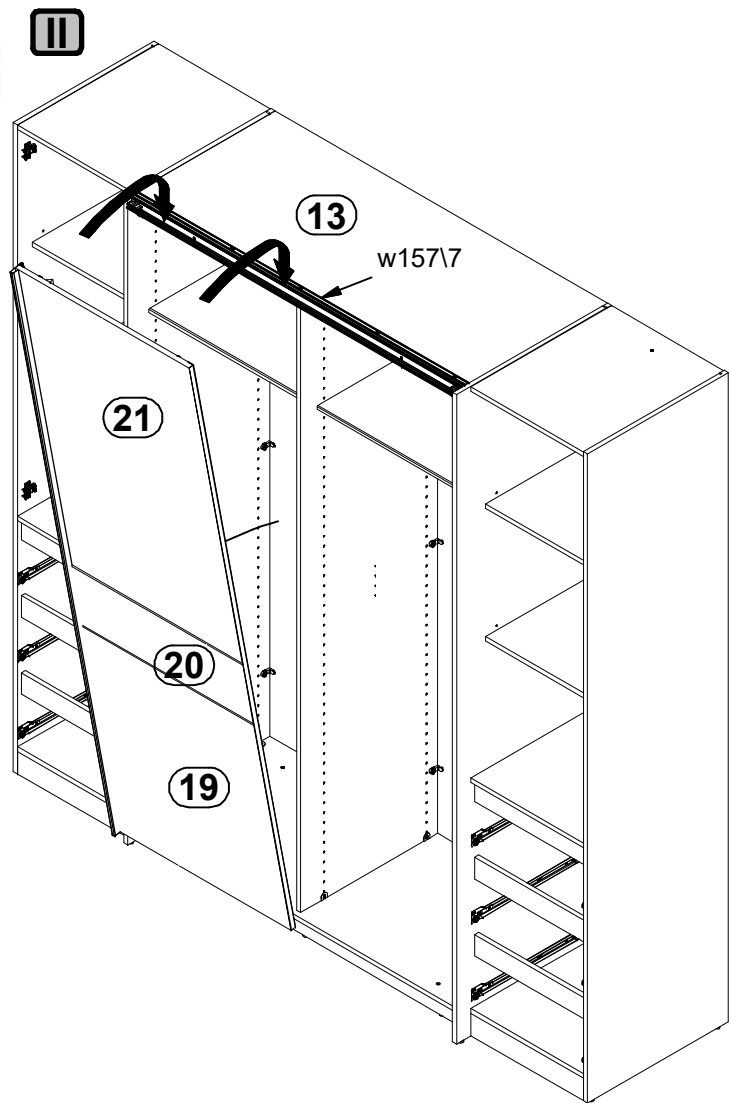
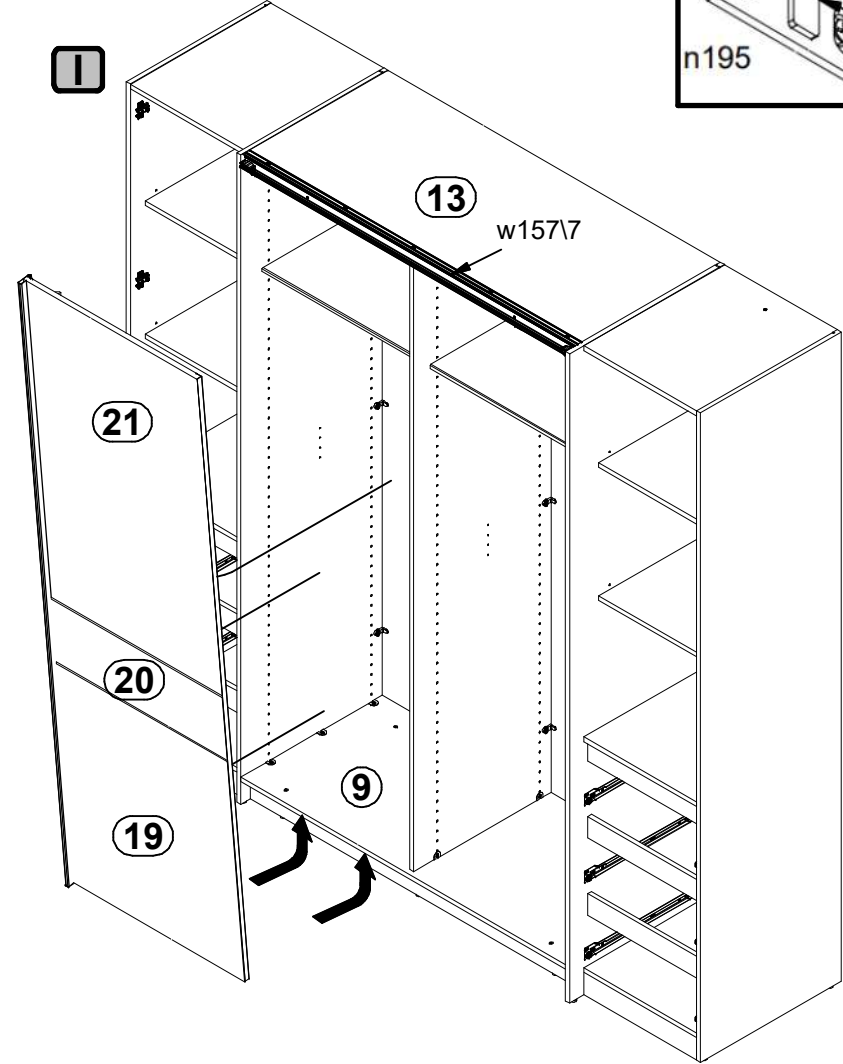
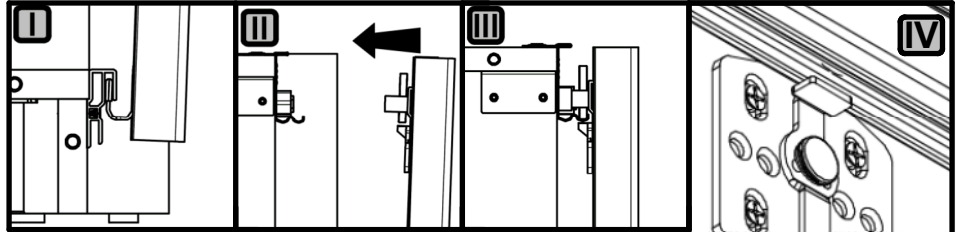
27 /33

30
B



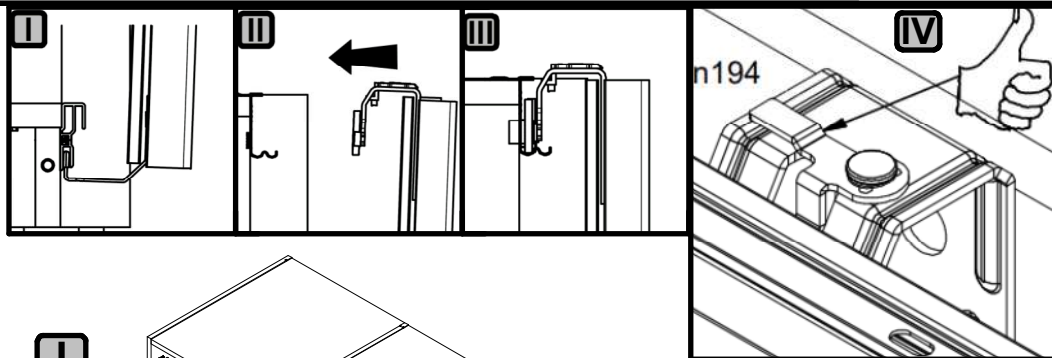
R



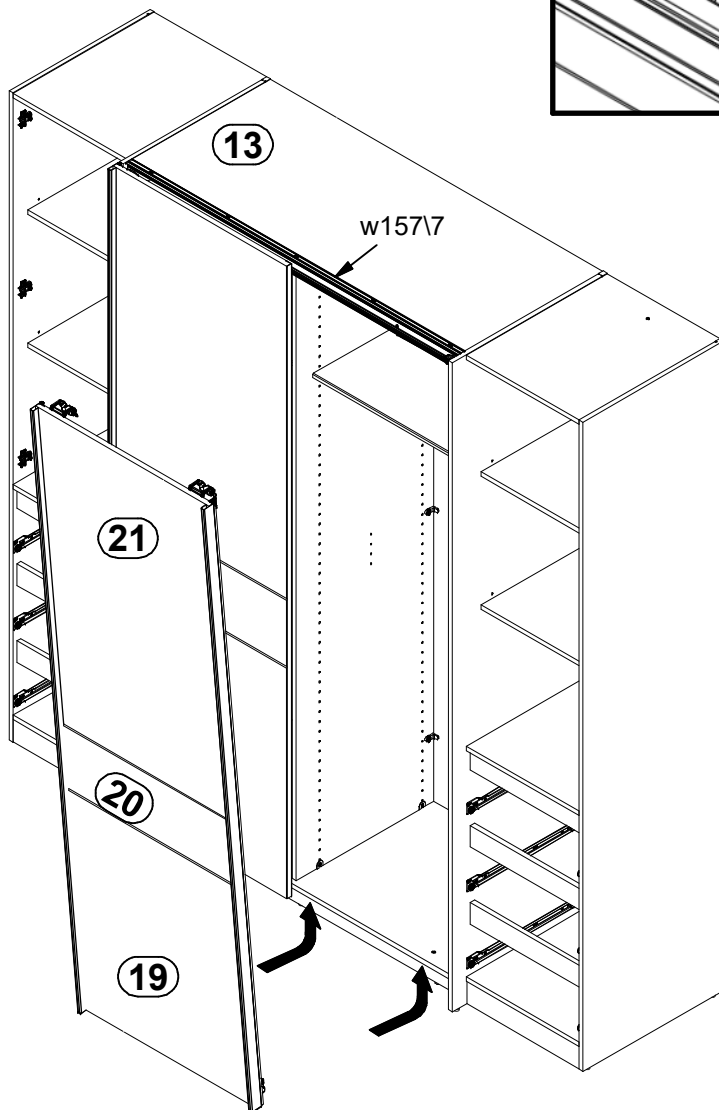


R

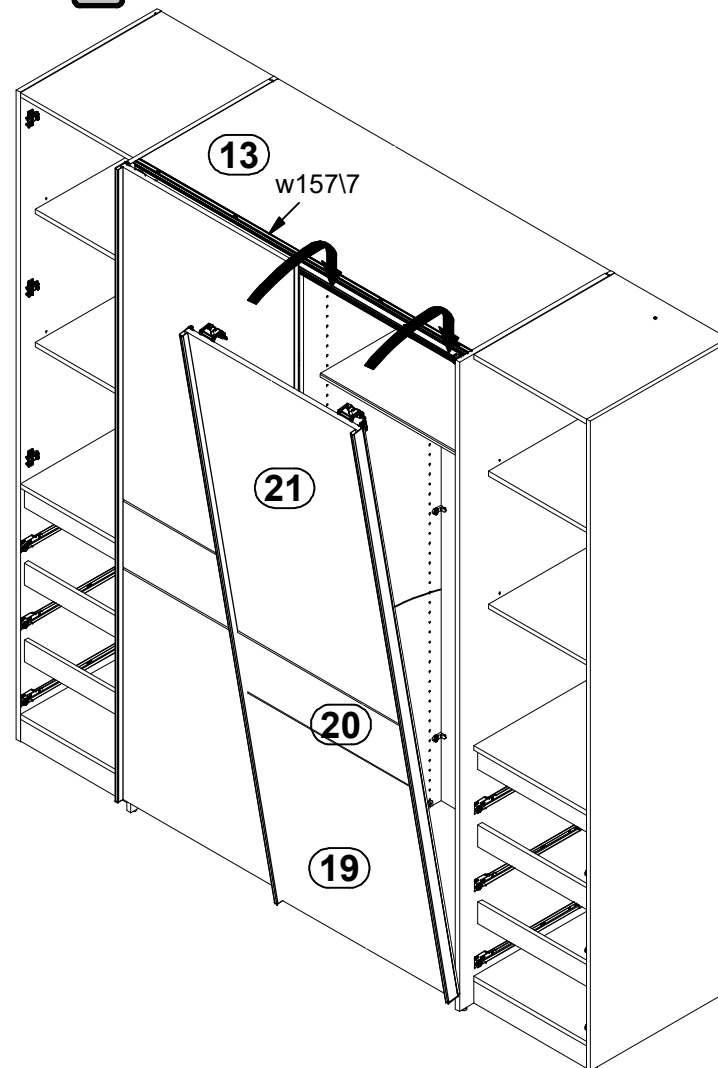
32



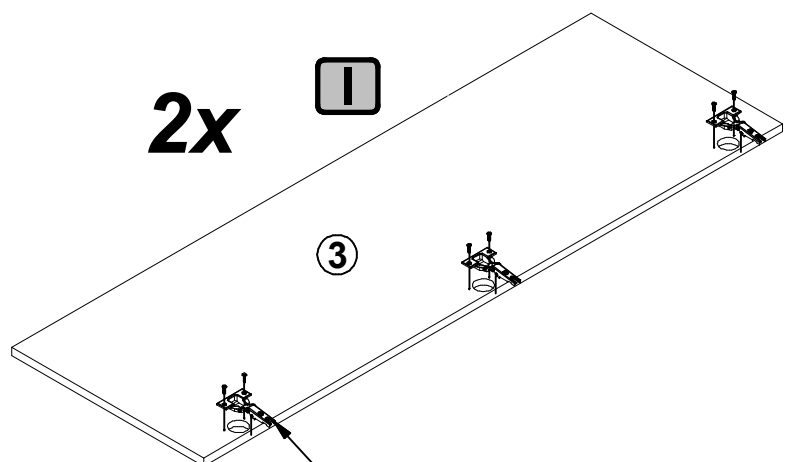
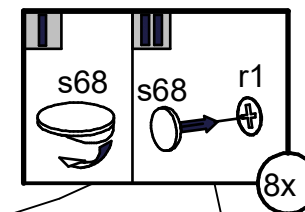
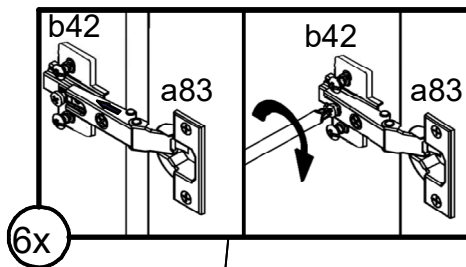
I



II



33



3

21

21

3

6

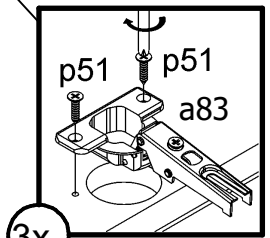
7

20

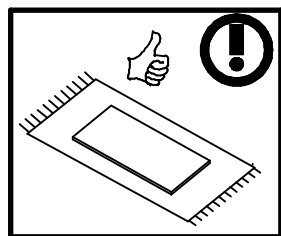
20

19

19

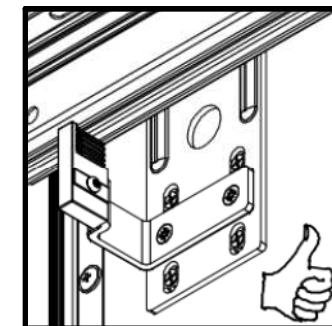
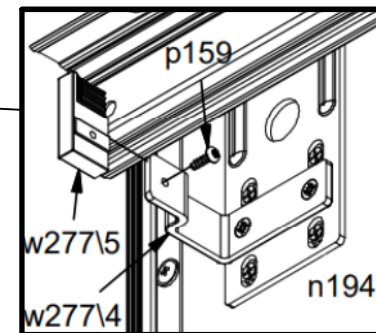
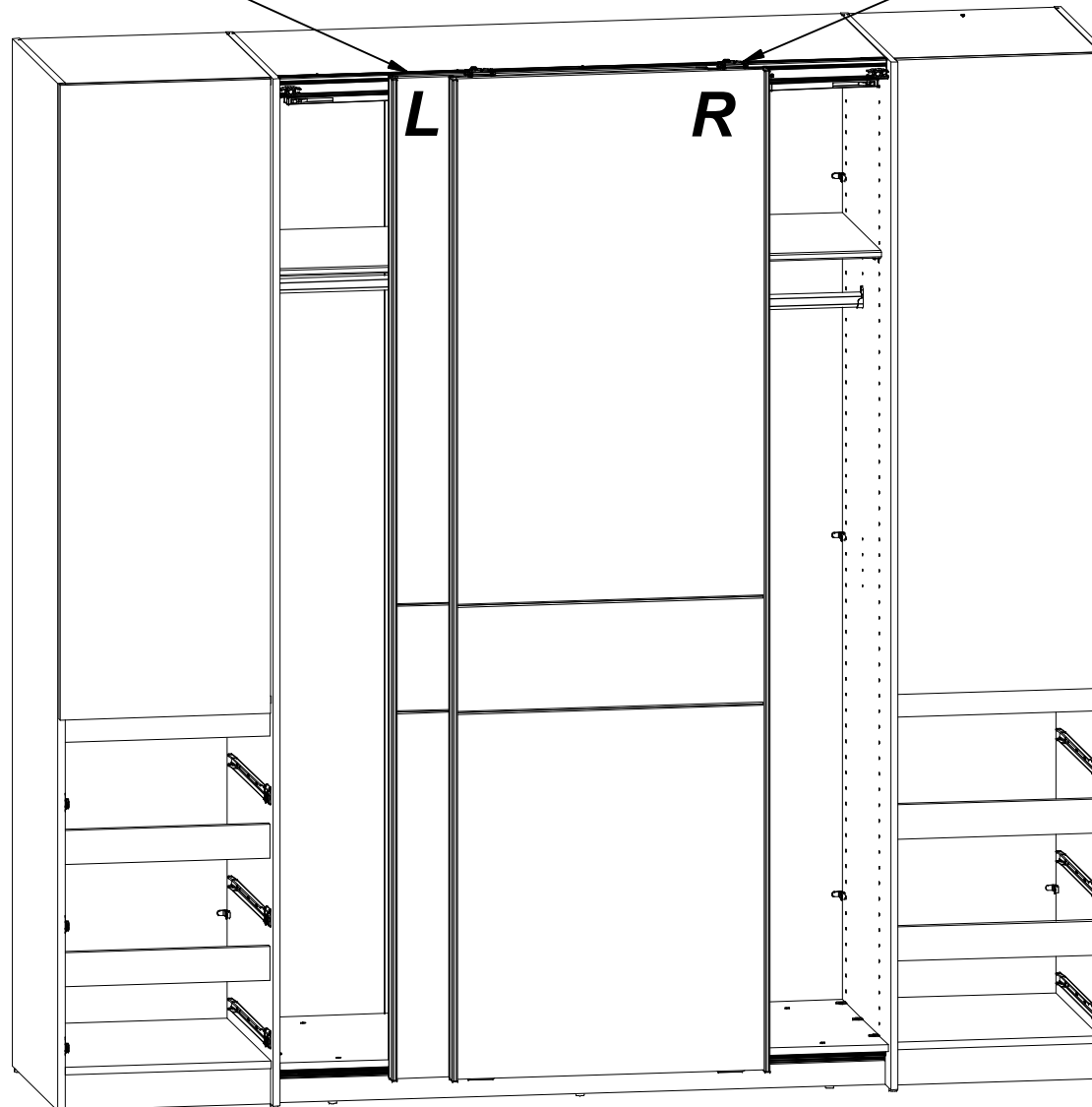
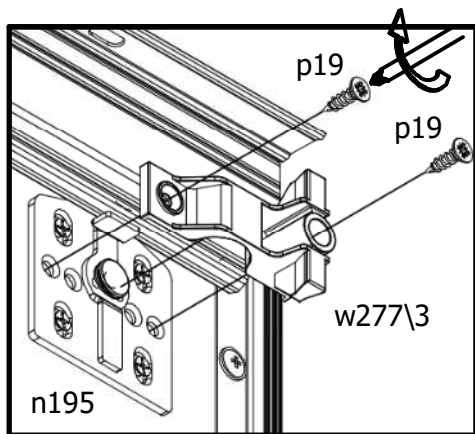


3x

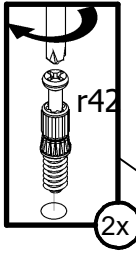


34 

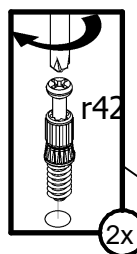
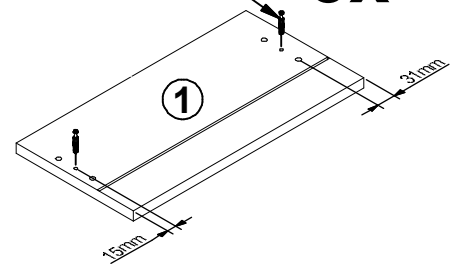
B



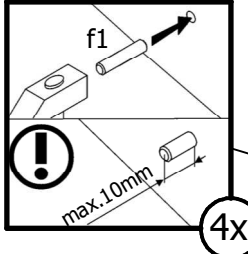
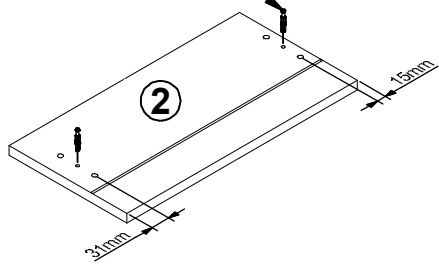
35



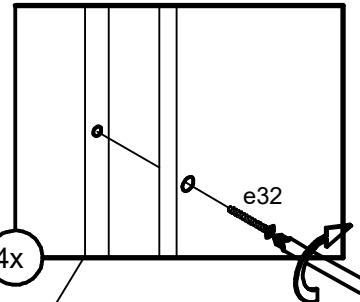
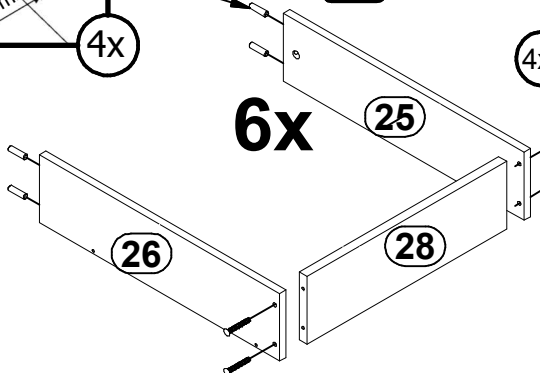
3x



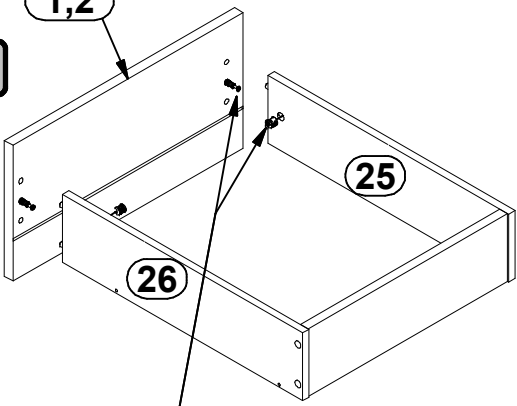
3x



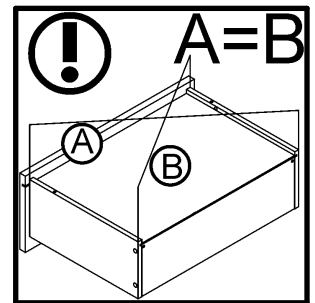
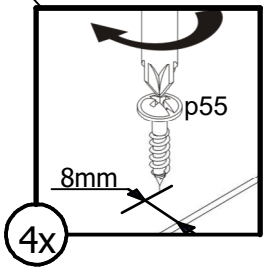
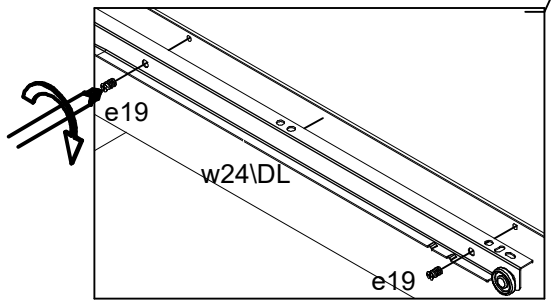
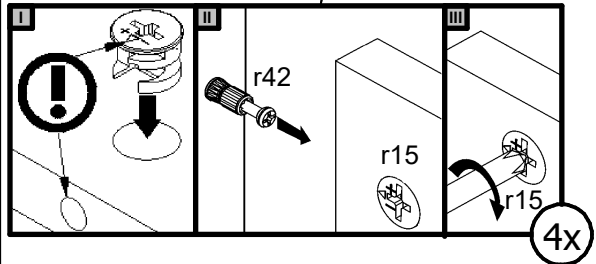
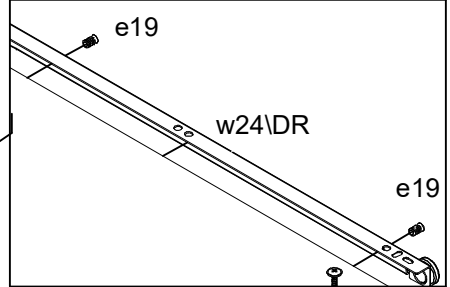
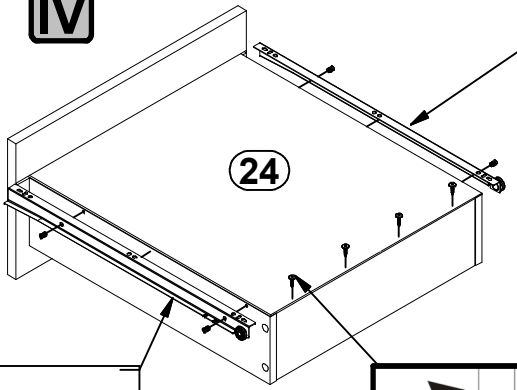
6x



1,2



24



36

