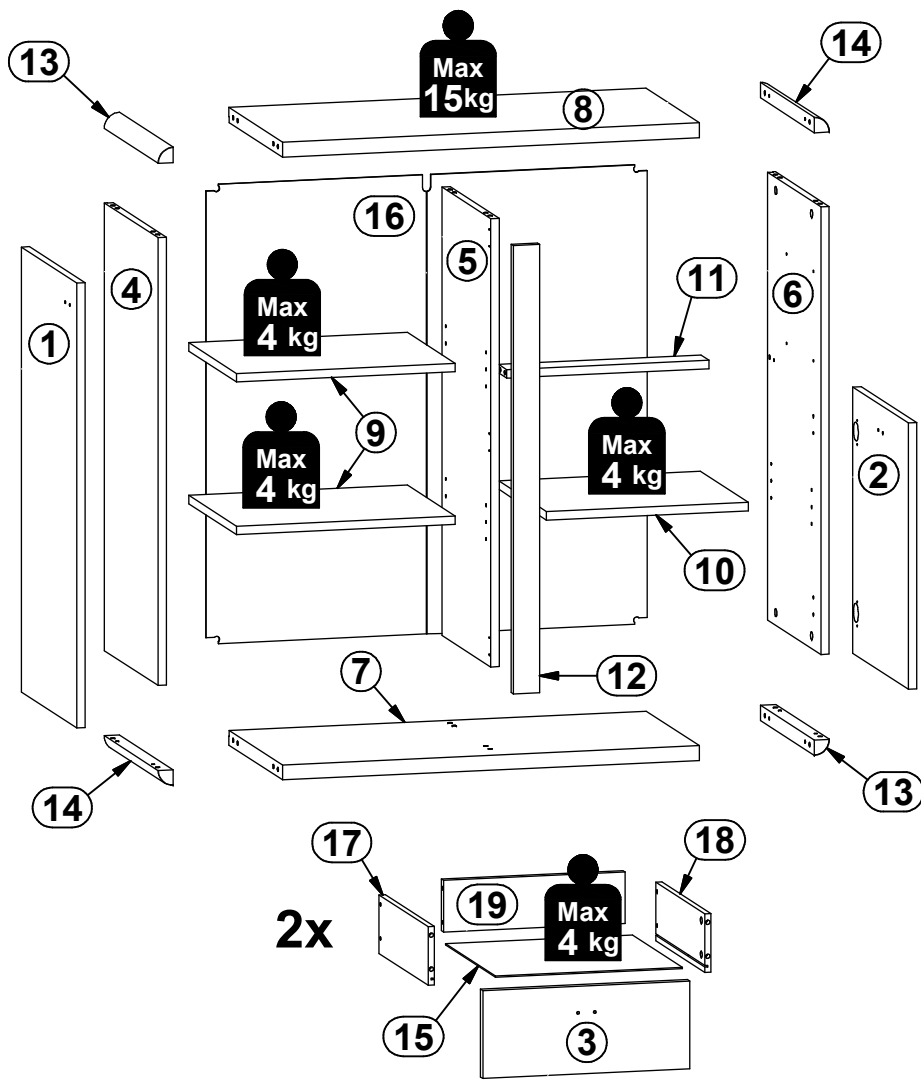
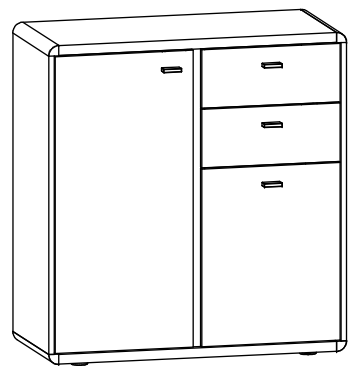


Ø10mm

1 h



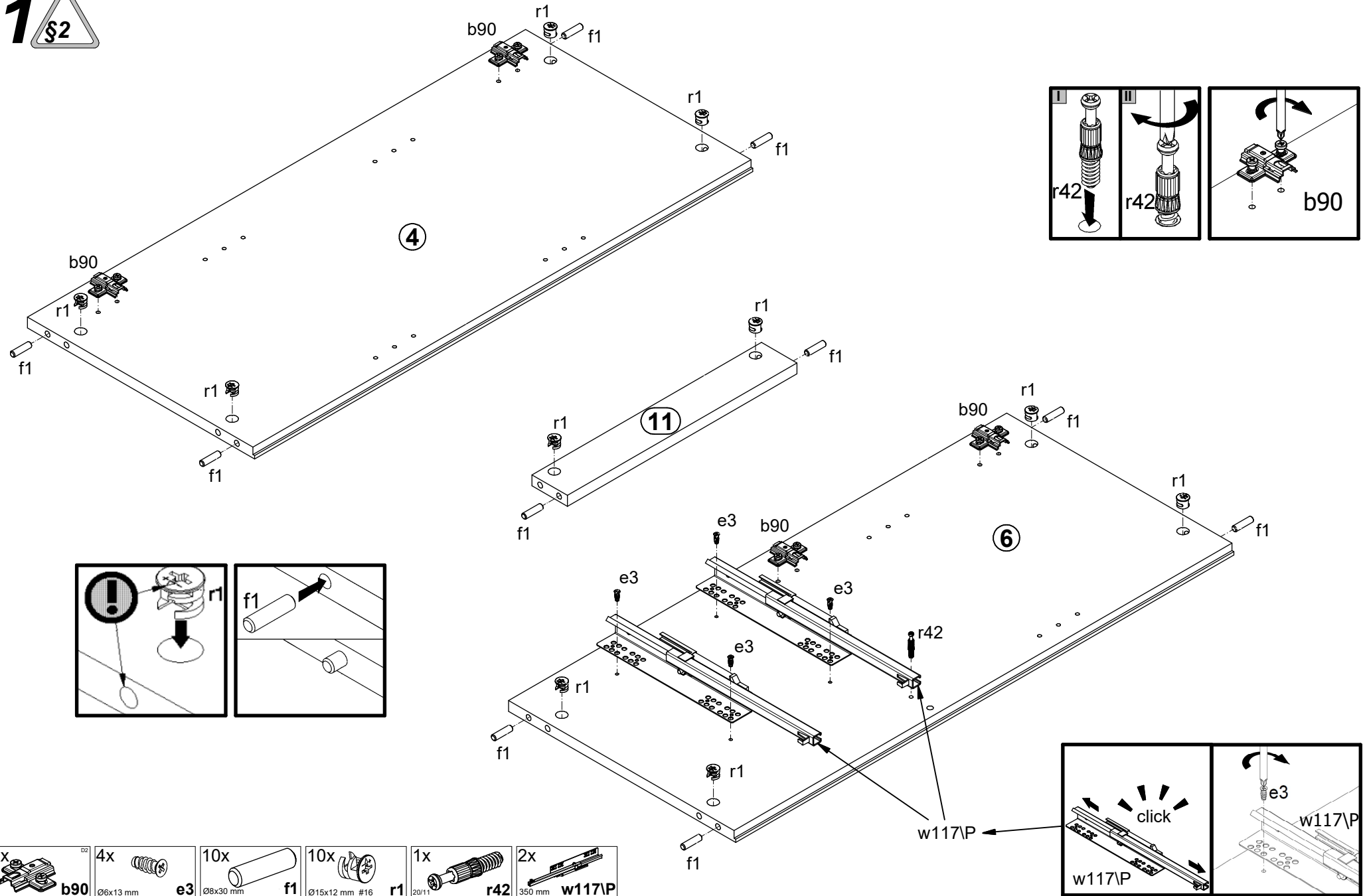
A	B	C (mm)			D
1	S612-0116	837	397	16	3/3
2	S612-0117	501	397	16	3/3
3	S612-0118	397	165	16	3/3
4	S612-1101	842	384	16	1/3
5	S612-1103	843	349	16	1/3
6	S612-1117	842	384	16	1/3
7	S612-2107	799	384	28	2/3
8	S612-2108	799	384	28	2/3
9	S612-3105	419	342	16	1/3
10	S612-3106	387	342	16	1/3
11	S612-4002	388	60	16	1/3
12	S612-5001	843	50	15	1/3
13	S612-5004	385	29	29	2/3
14	S612-5005	385	29	29	2/3
15	S612-9104	358	357	2,5	1/3
16	S612-9309	864	845	2,5	2/3
17	ZQ6-519	350	110	12	1/3
18	ZQ6-520	350	110	12	1/3
19	ZQ6-5119	348	97	15	1/3



D
1/3

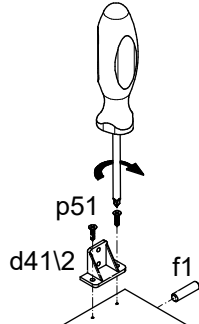
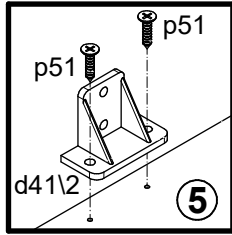
4x a203	4x b90	4x c58211	12x d1	3x d412	2x e8	8x e3	22x f1	8x f25	1x f35	8x j30	5x k43	1x n1412
1x p17	22x p51	31x p55	20x r1	8x r15	28x r42	8x s68	2x w117L	2x w117P	1x z1			

1 §2



- 4x **b90**
- 4x **e3**
- 10x **f1**
- 10x **r1**
- 1x **r42**
- 2x **w117/P**

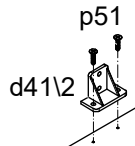
2  



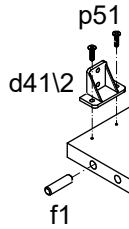
~26 mm

12

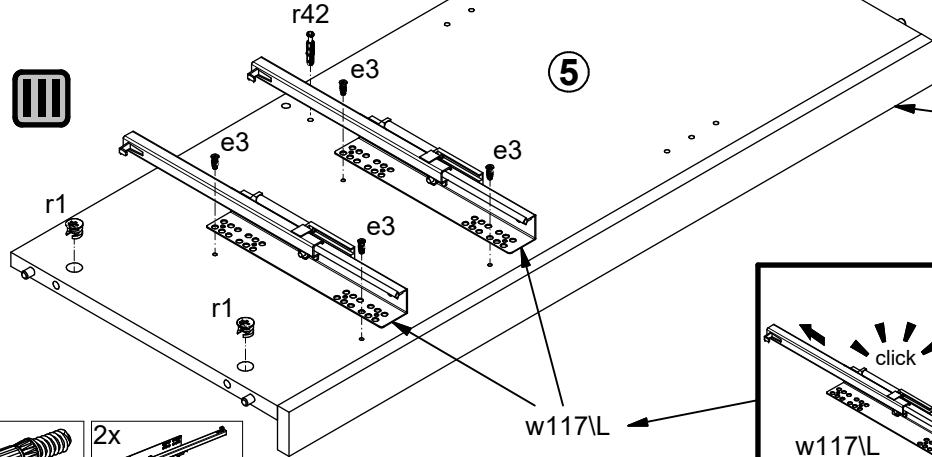
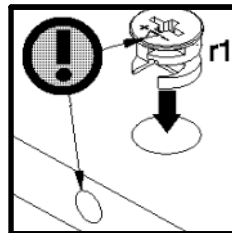
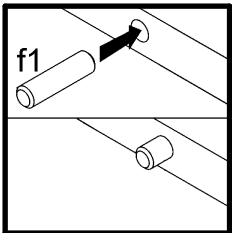
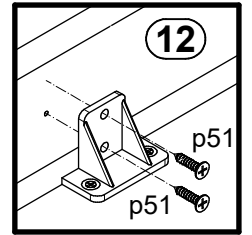
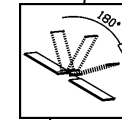
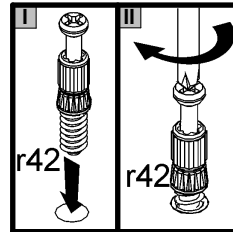
5



5

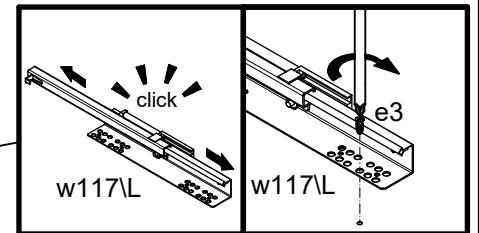



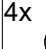





f1



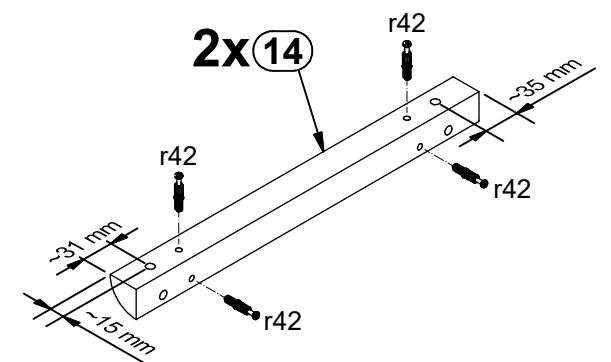
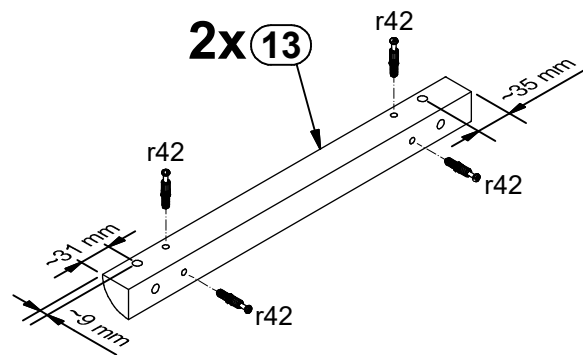
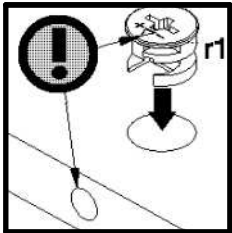
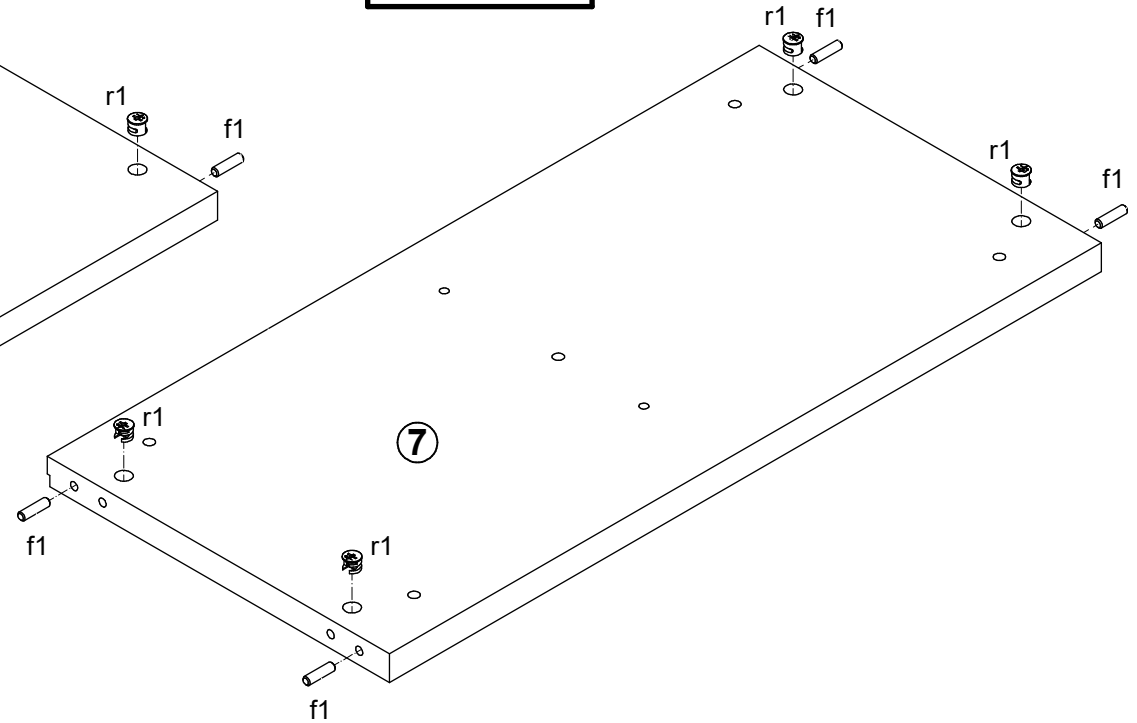
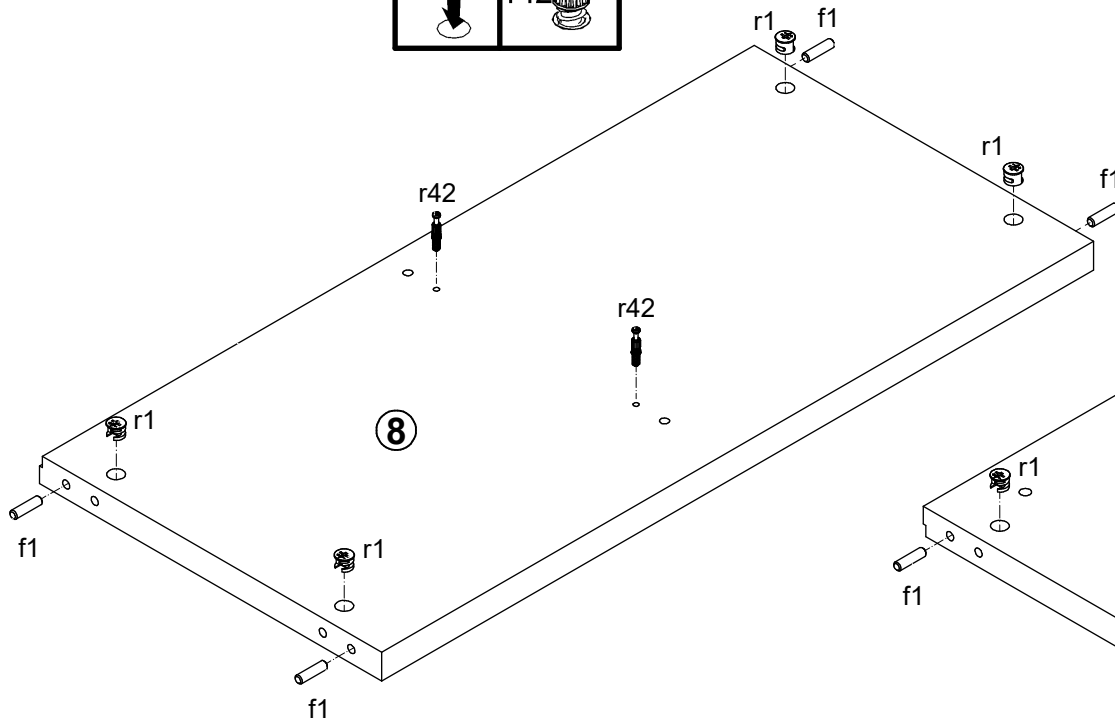
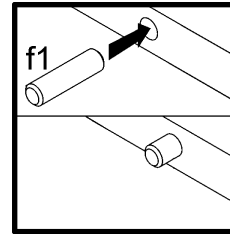
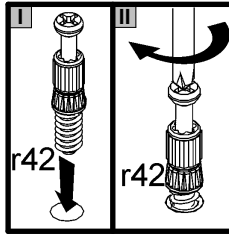
5

12



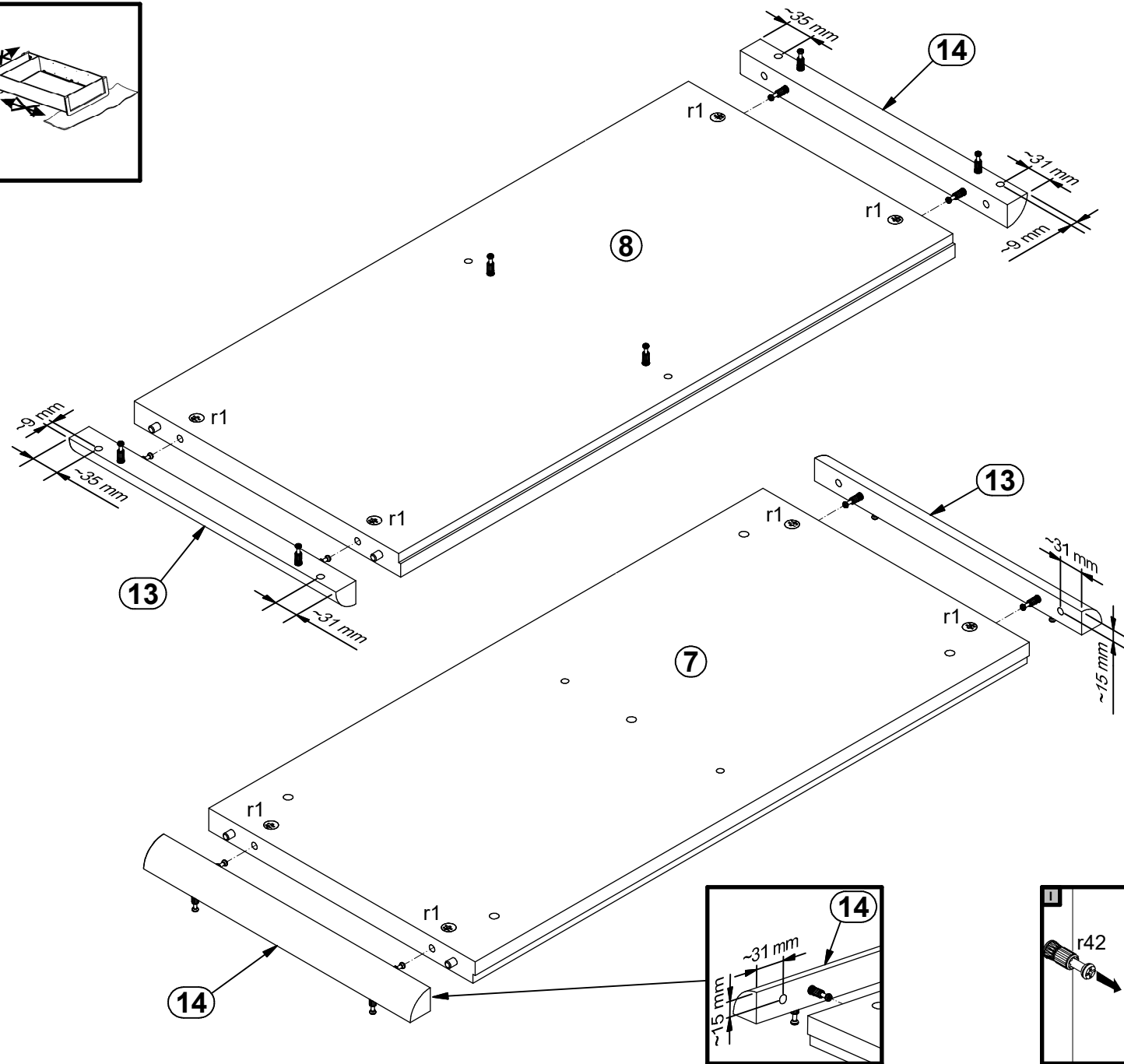
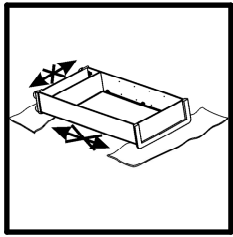
- 4x  e3
Ø6x13 mm
- 4x  f1
Ø8x30 mm
- 3x  d41\2
- 12x  p51
Ø3.5x15 mm
- 2x  r1
Ø15x12 mm #16
- 1x  r42
20/11
- 2x  w117L
350 mm

3 §6

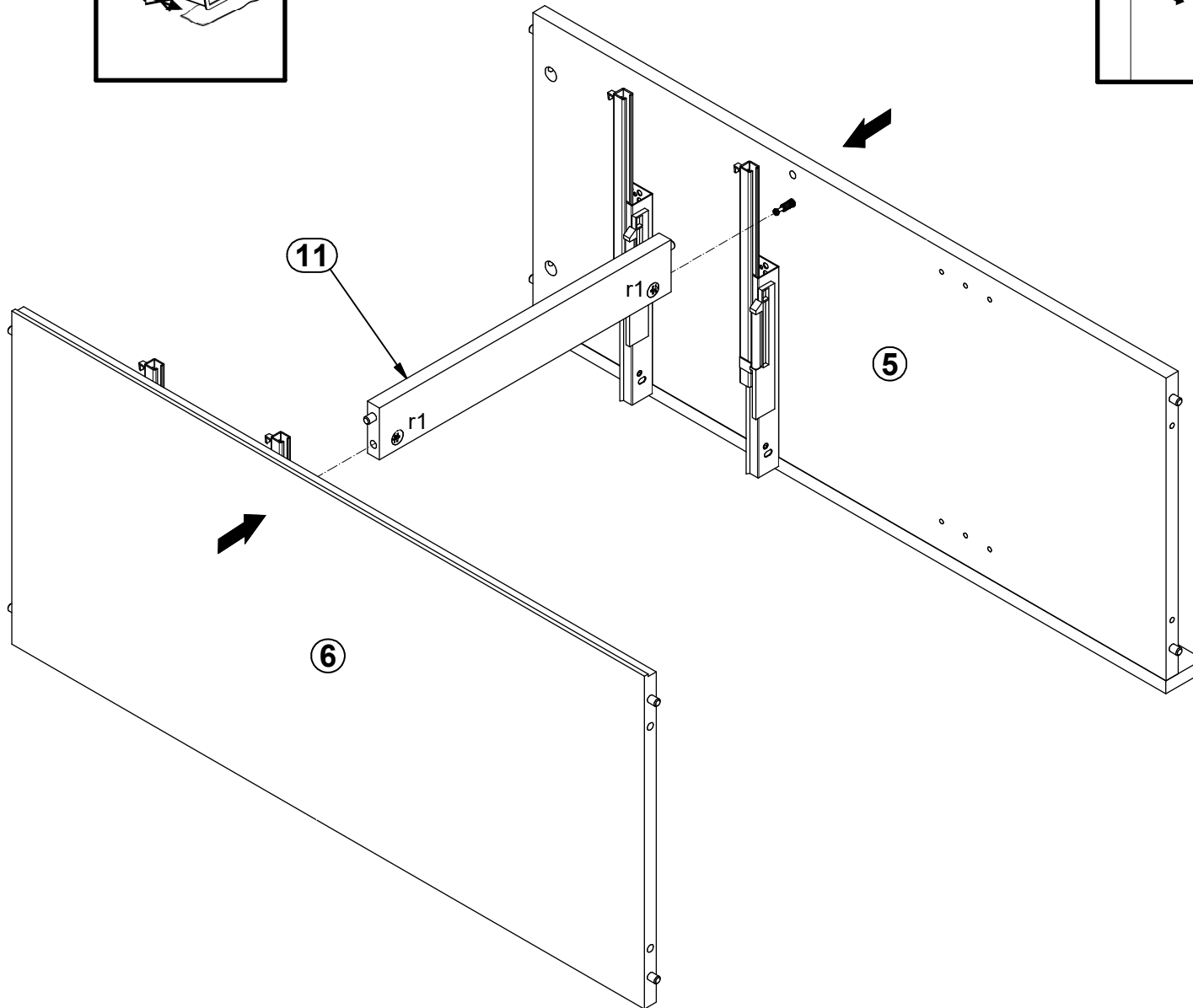
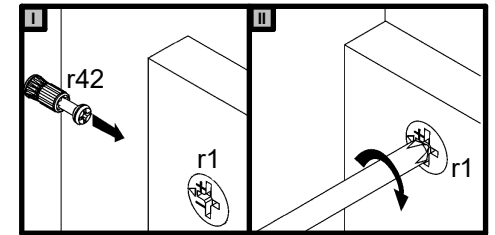
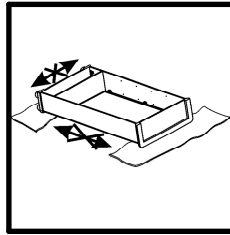


- 8x f1 $\varnothing 8 \times 30$ mm
- 8x r1 $\varnothing 15 \times 12$ mm #16
- 18x r42 $\varnothing 20 / 11$

4 

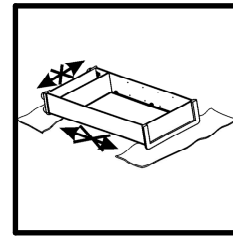
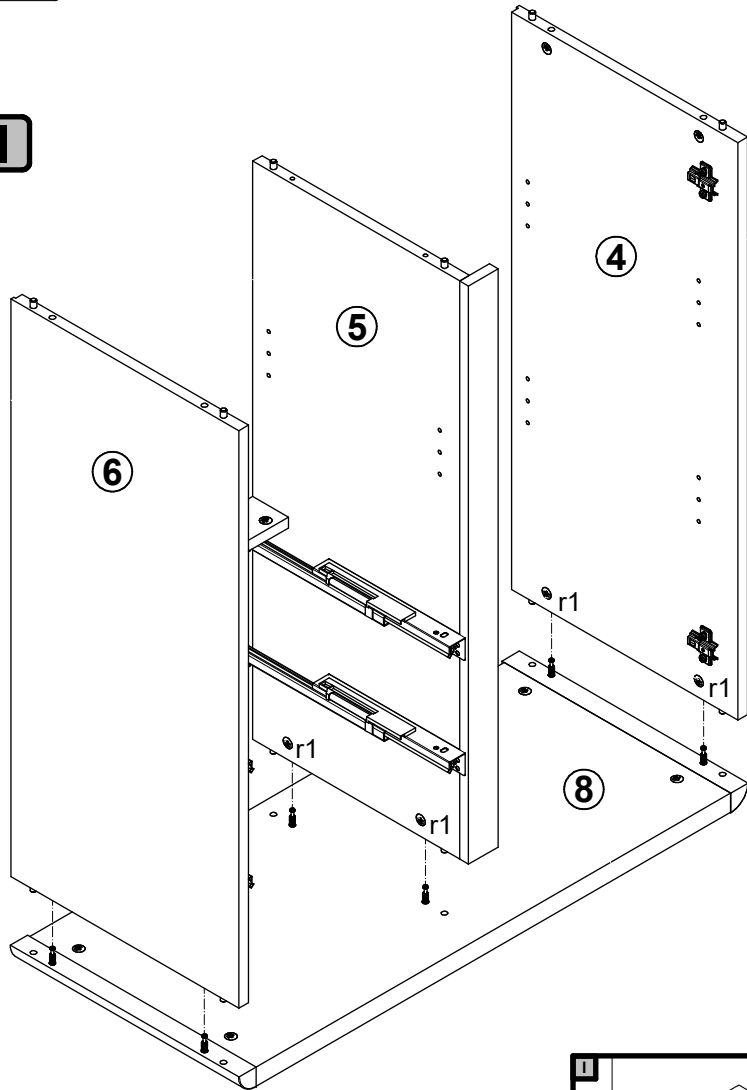


5 

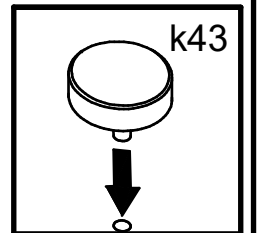
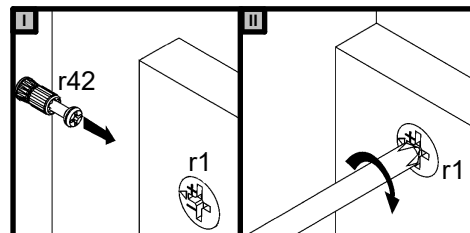
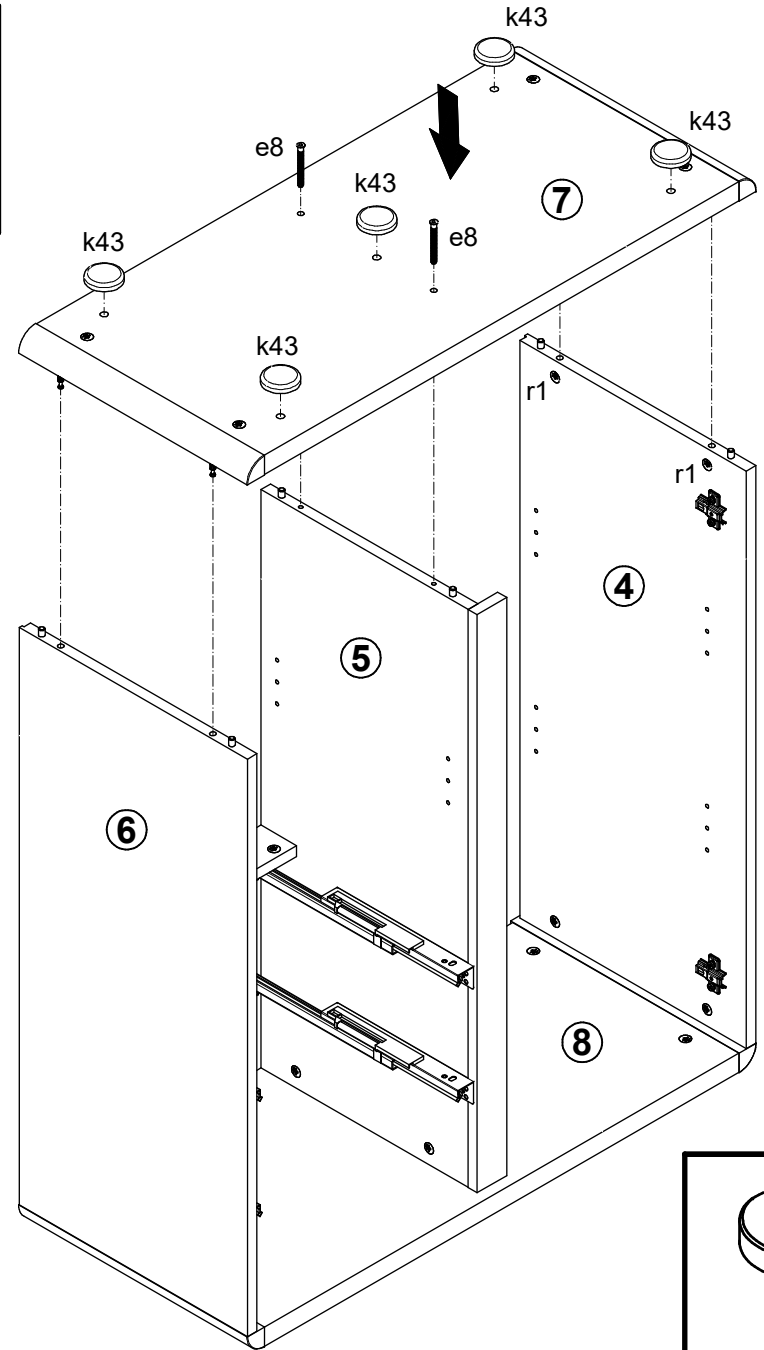
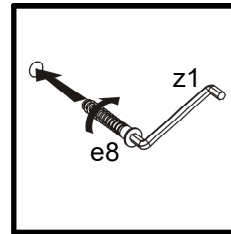



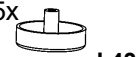

6 

I



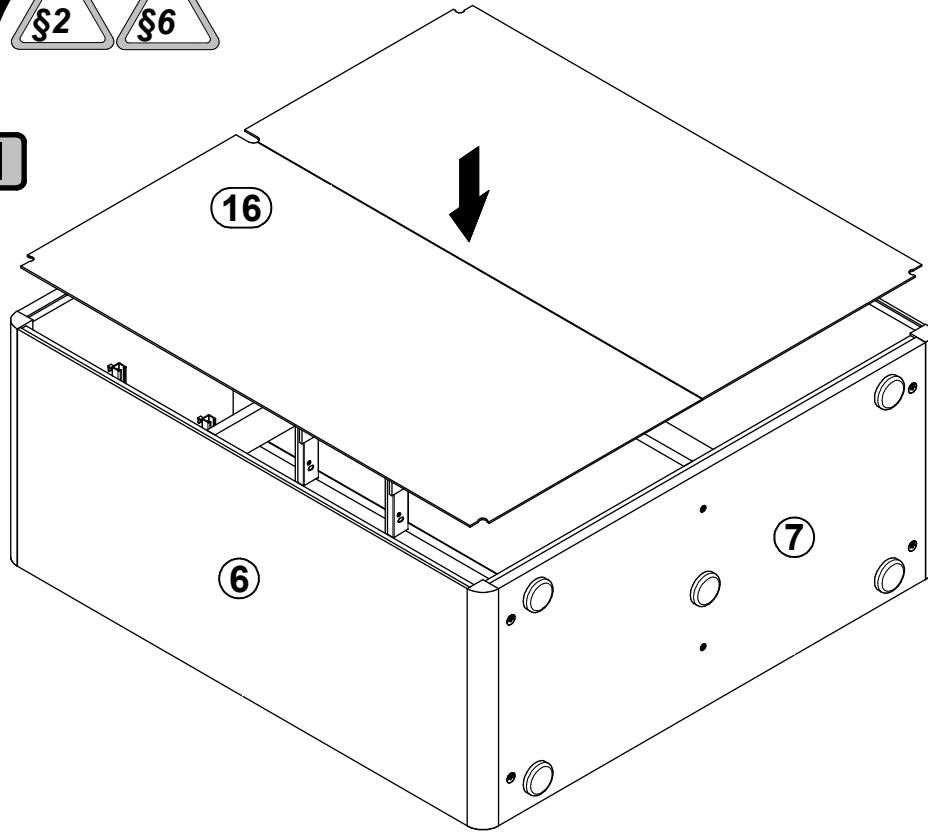
II



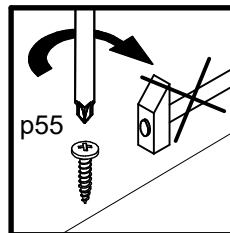
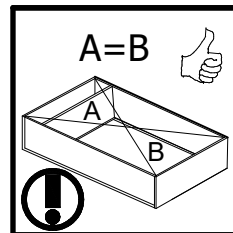
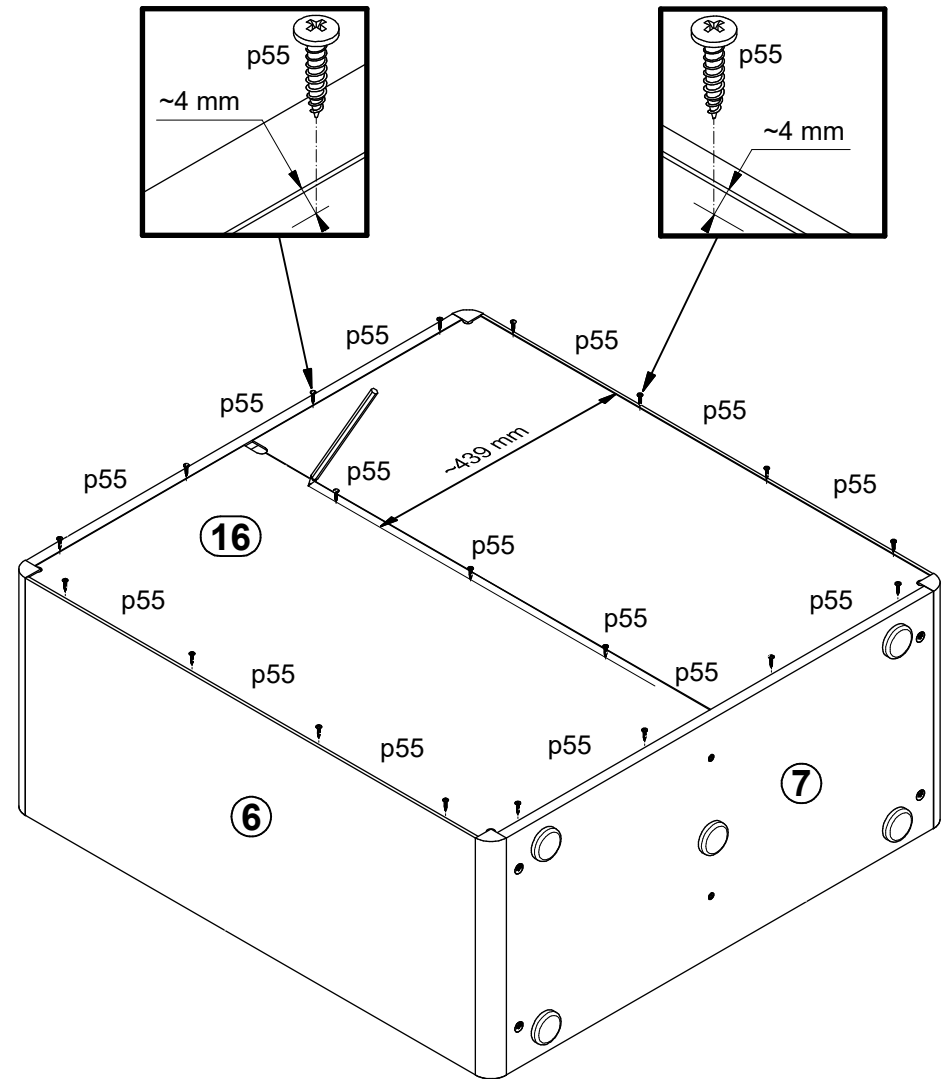
- 2x  e8 Ø7x60 mm
- 5x  k43 Ø48x10 mm
- 1x  z1 4 mm

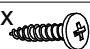
7  

I



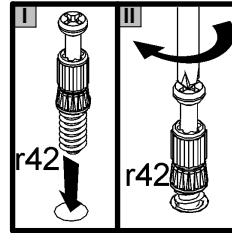
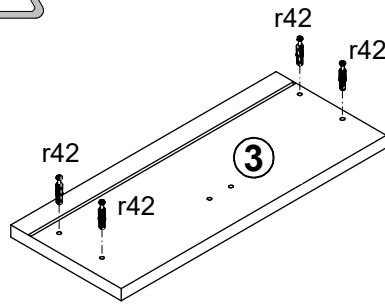
II



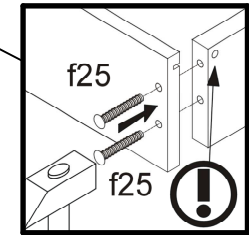
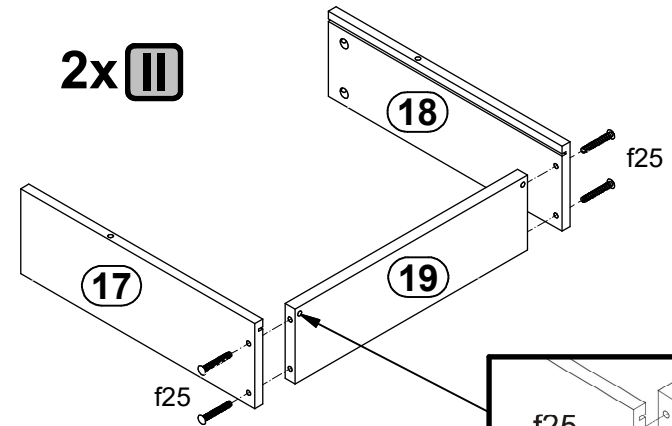
19x 
 Ø2,9x16 mm p55

8  

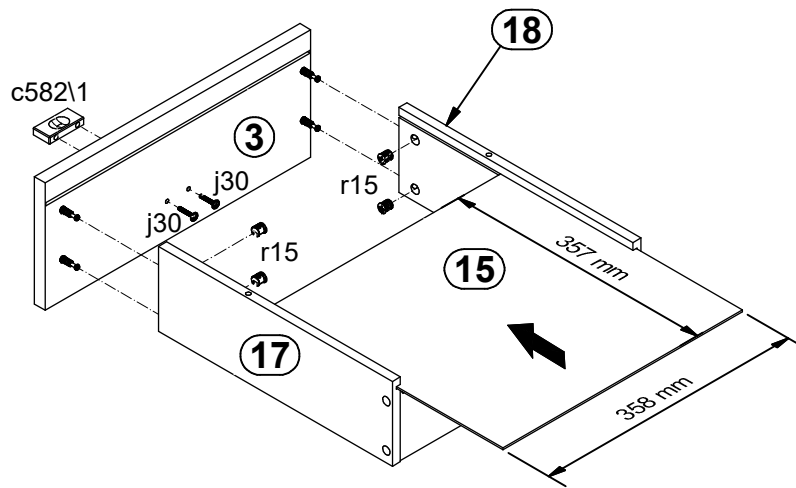
2x 



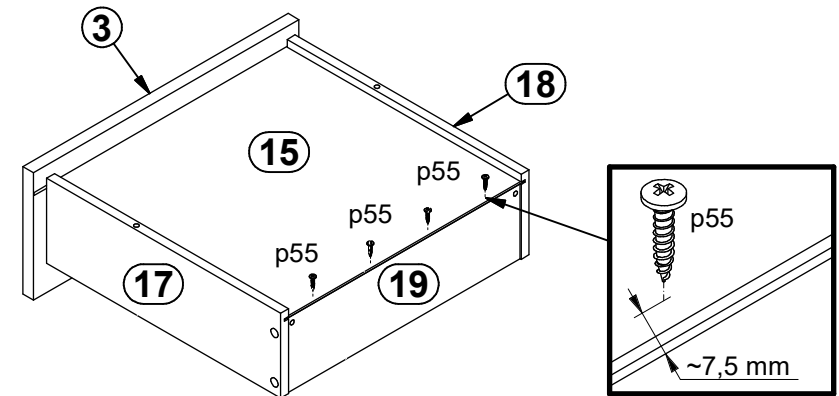
2x 









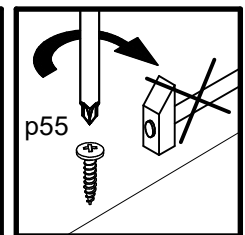
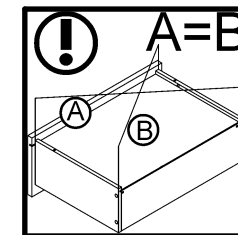
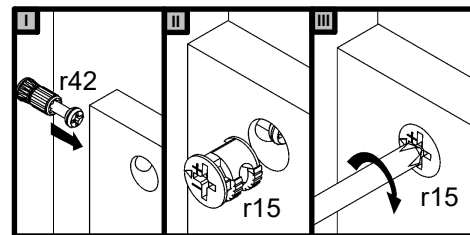
2x 



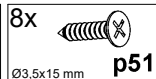
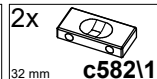
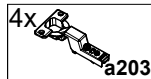
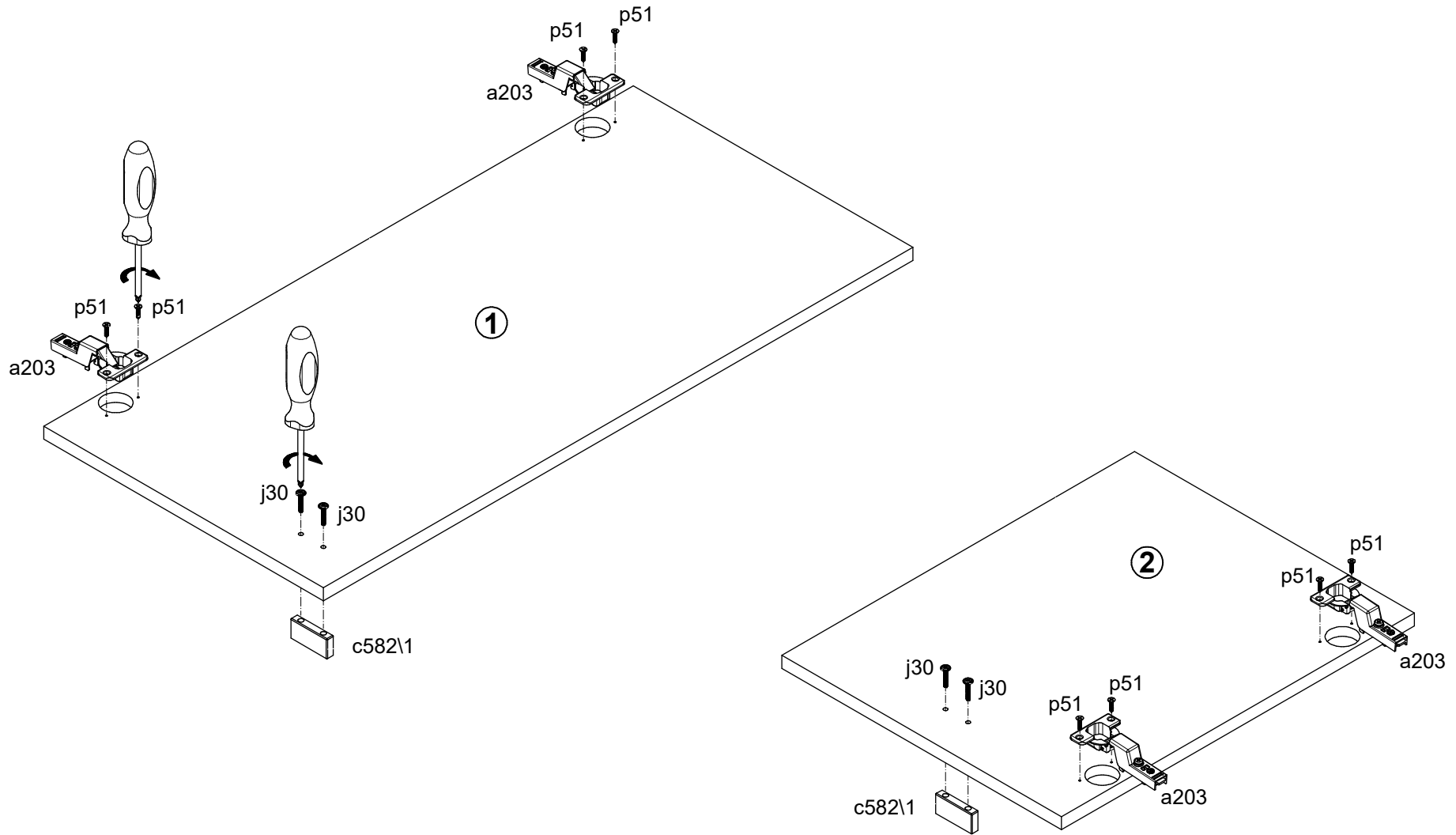
2x 



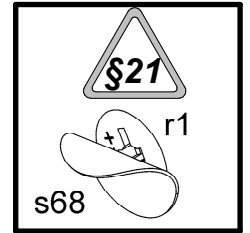
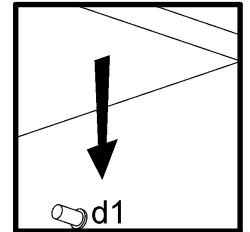
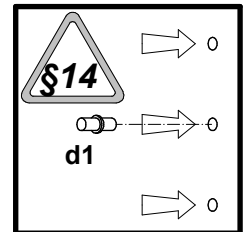
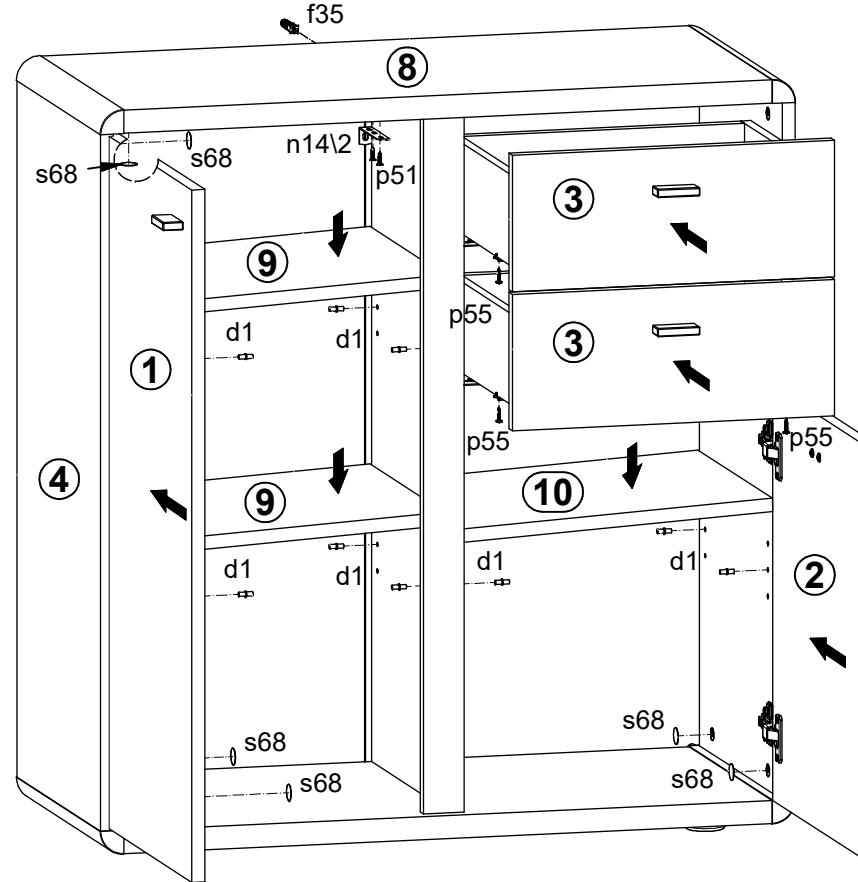
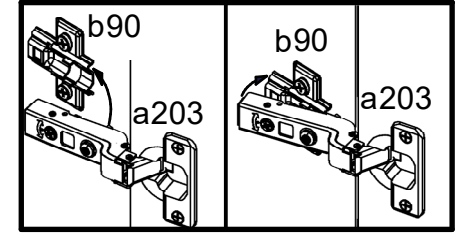
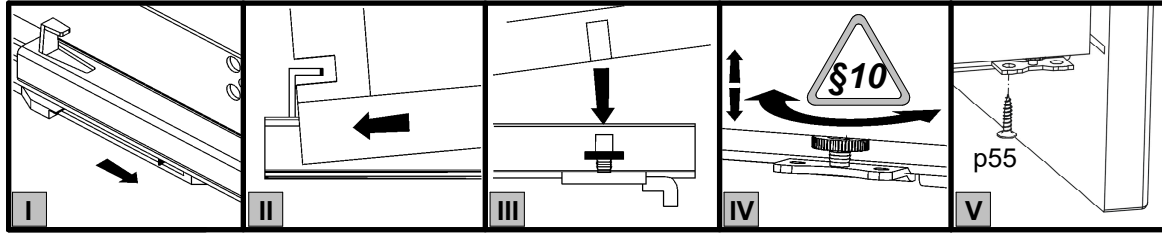
2x  32 mm c58211	8x  Ø6,5x40 mm f25	4x  M4x22 mm j30
8x  Ø2,9x16 mm p55	8x  Ø12x10,5 mm #12 r15	8x  20/11 r42




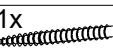
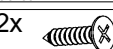
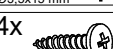
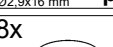


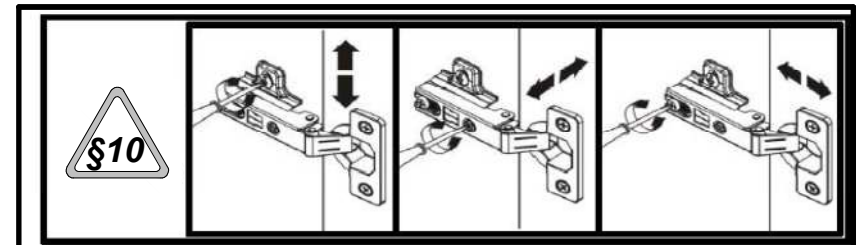
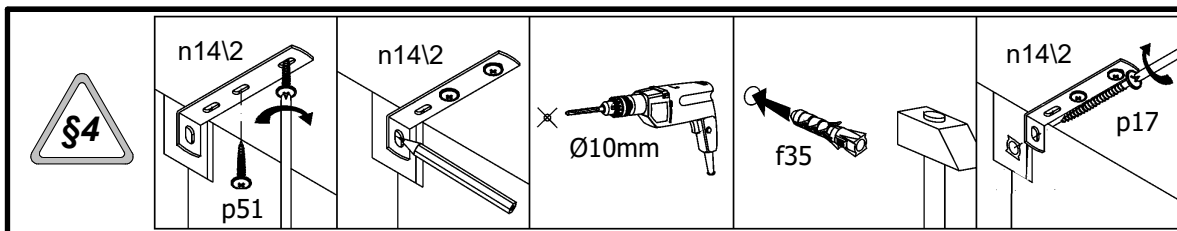
9 §6



10 



- 12x  **d1**
Ø5x17 mm
- 1x  **f35**
Ø10x50 mm
- 1x  **n14/2**
86x21x15/1,5
- 1x  **p17**
Ø5x60 mm
- 2x  **p51**
Ø3,5x15 mm
- 4x  **p55**
Ø2,9x16 mm
- 8x  **s68**
Ø 20mm



11

