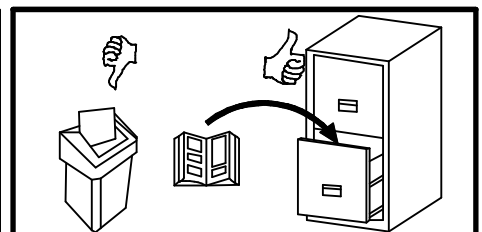
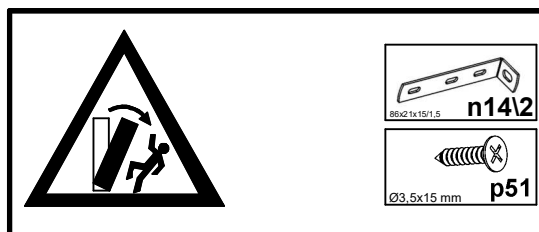
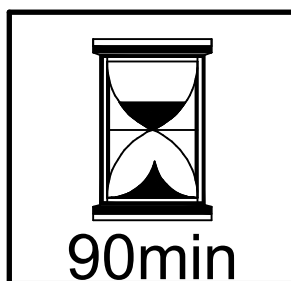
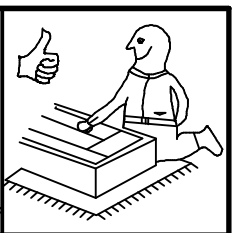
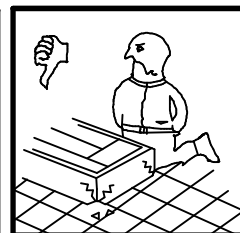
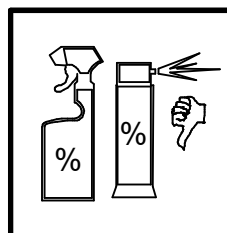
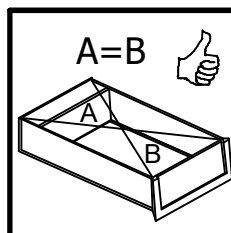
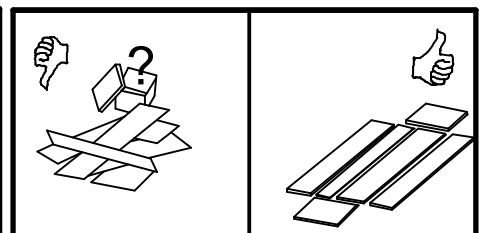
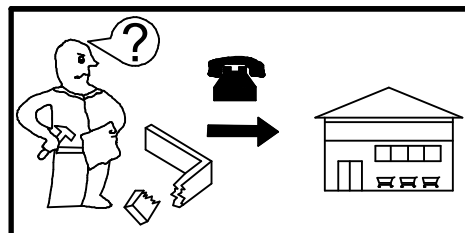
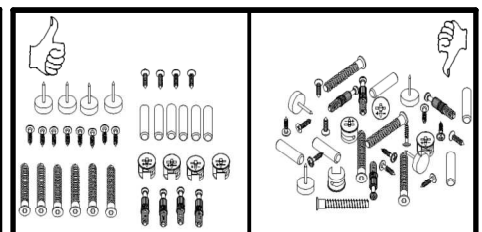
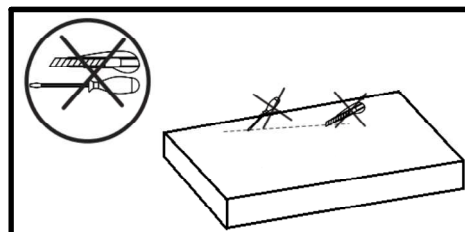
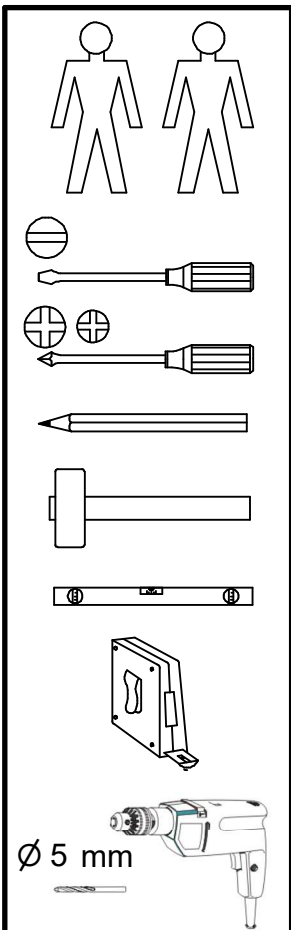
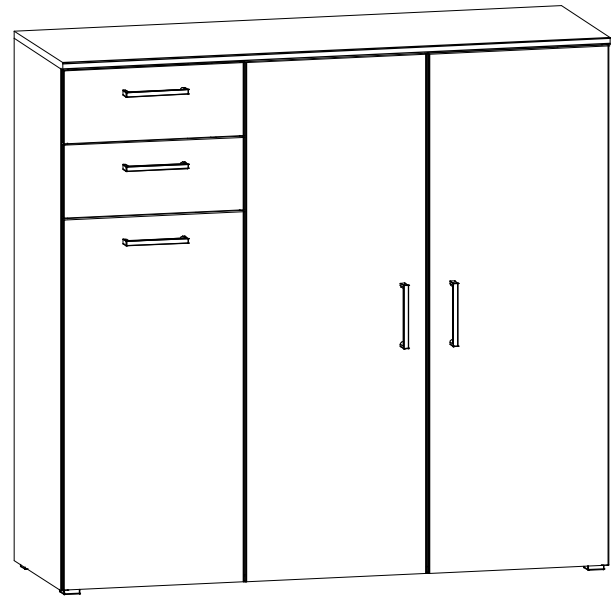
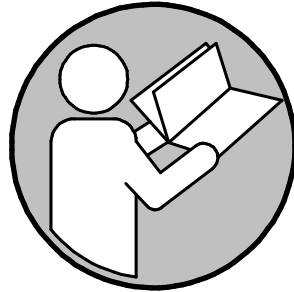
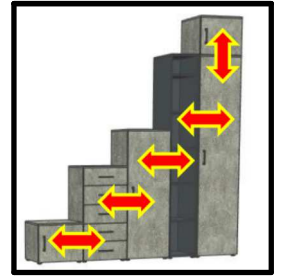
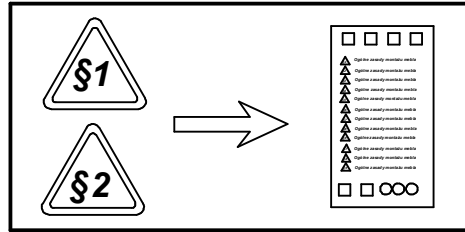
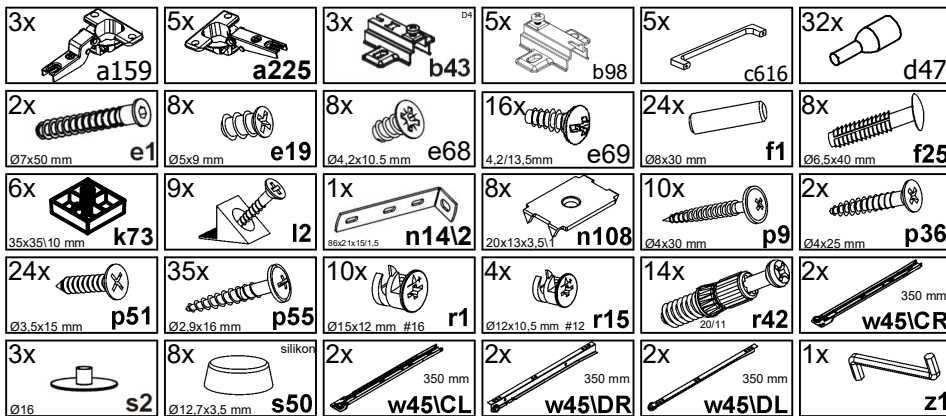
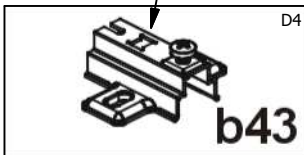
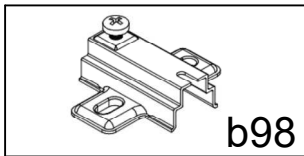
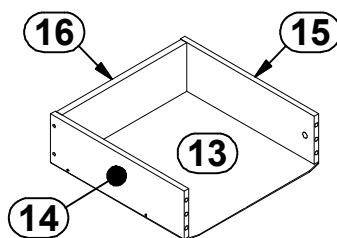
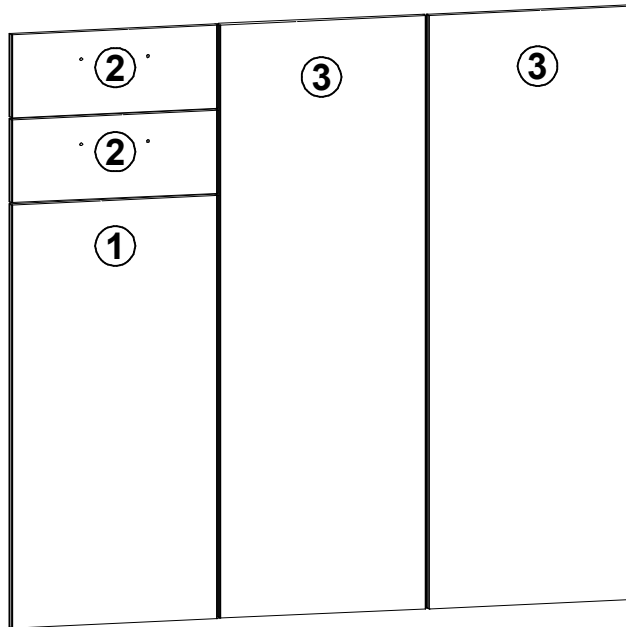
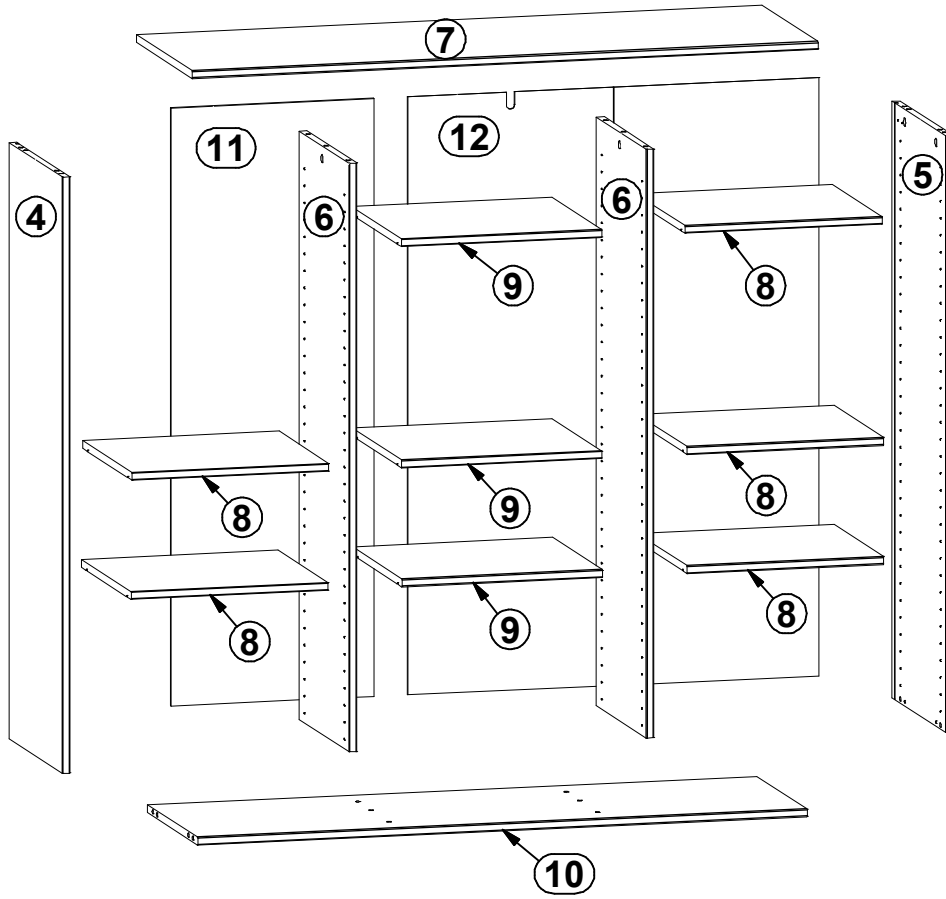


13450201...
242702.../33
242701.../33
5107460
5107461
5107462
5107463

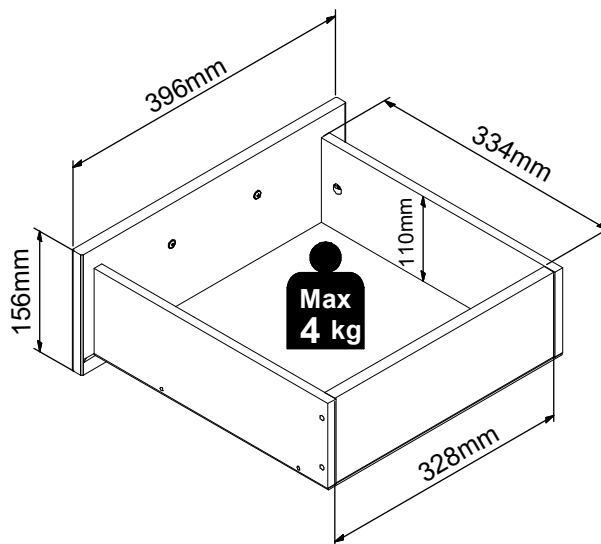
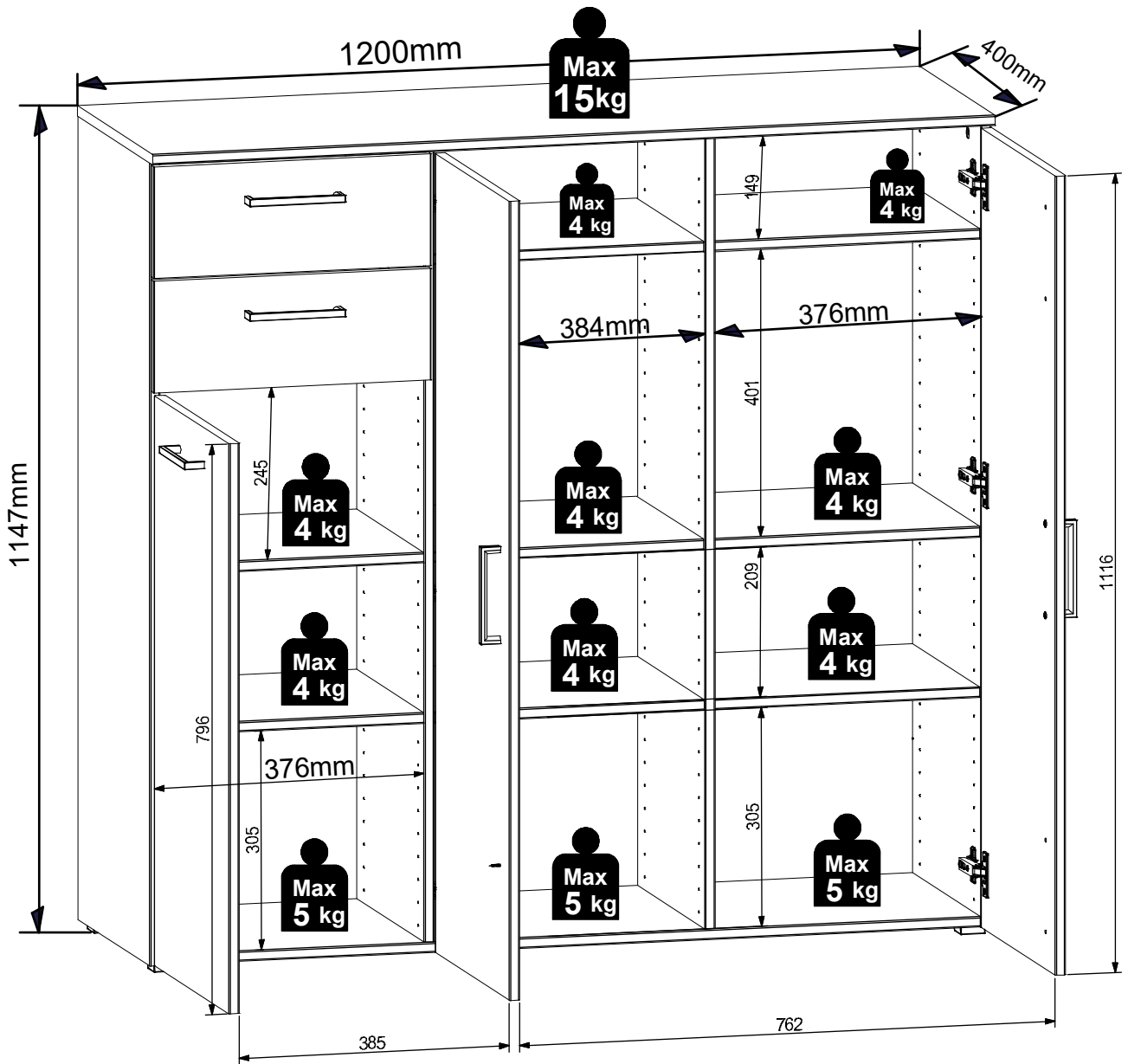


A	B1	B2	C1	C2	C3	D
1	S588-0008	-	796	396	15	3/3
2	S588-0010	-	156	396	15	3/3
3	S588-0013	-	1116	396	15	3/3
4	S588-1006	-	1122	382	15	2/3
5	S588-1007	-	1122	382	15	2/3
6	S588-1008	-	1107	358	15	2/3
7	S588-2005	-	1200	400	15	1/3
8	S588-3008	-	377	356	15	1/3
9	S588-3009	-1	384	356	15	1/3
10	S588-3010	-1	1169	360	15	1/3
11	S588-9008	-2	1125	389	2,5	3/3
12	S588-9307	-	1125	789	2,5	3/3
13	WSP-9704	B.53	350	358	2,5	1/3
14	WSR2-5005	-	350	110	12	1/3
15	WSR2-5006	-	350	110	12	1/3
16	ZS7-5132	-	328	110	15	1/3



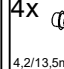

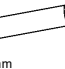
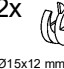
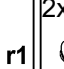


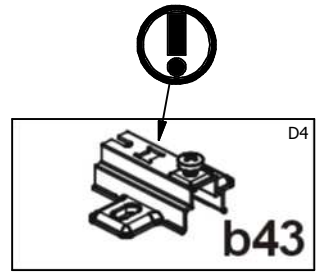
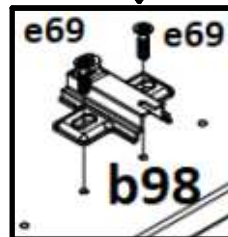
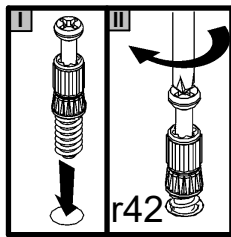
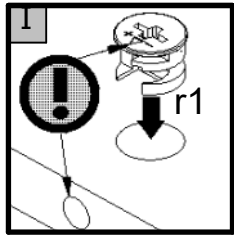
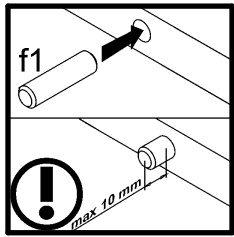
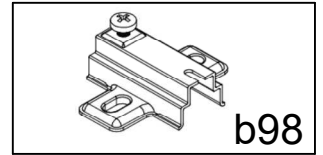
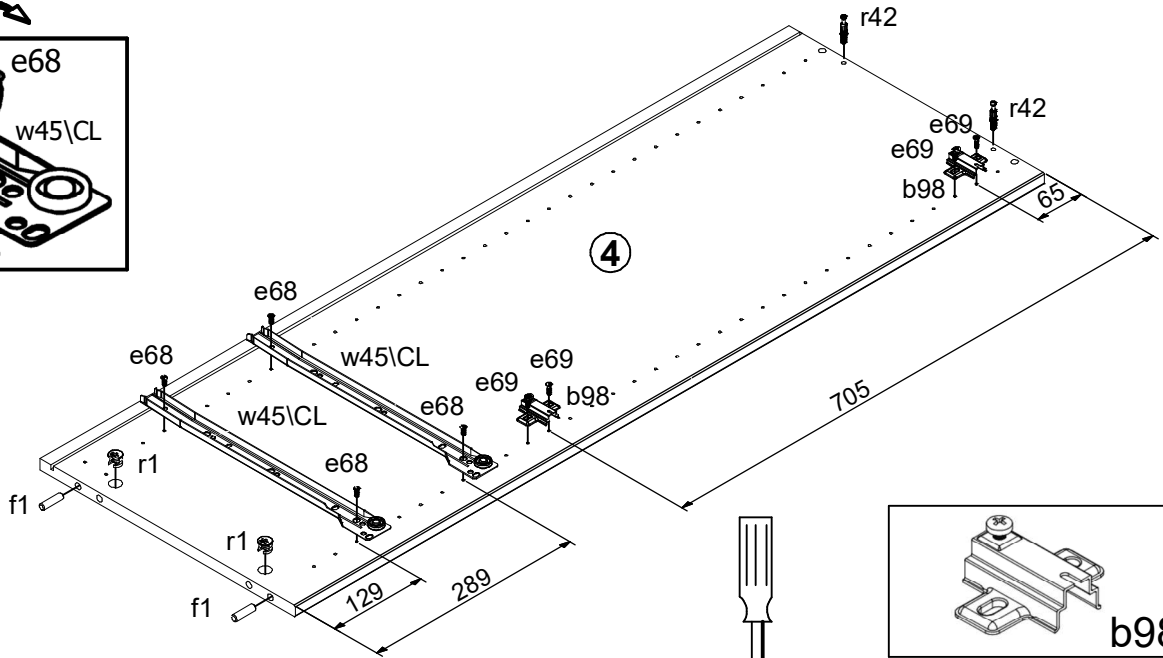
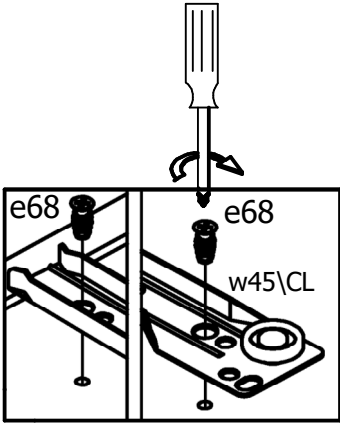


 **2x**

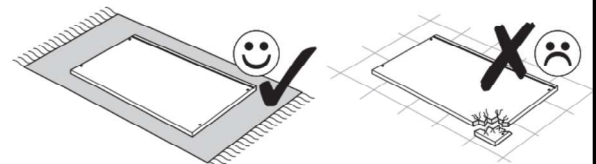
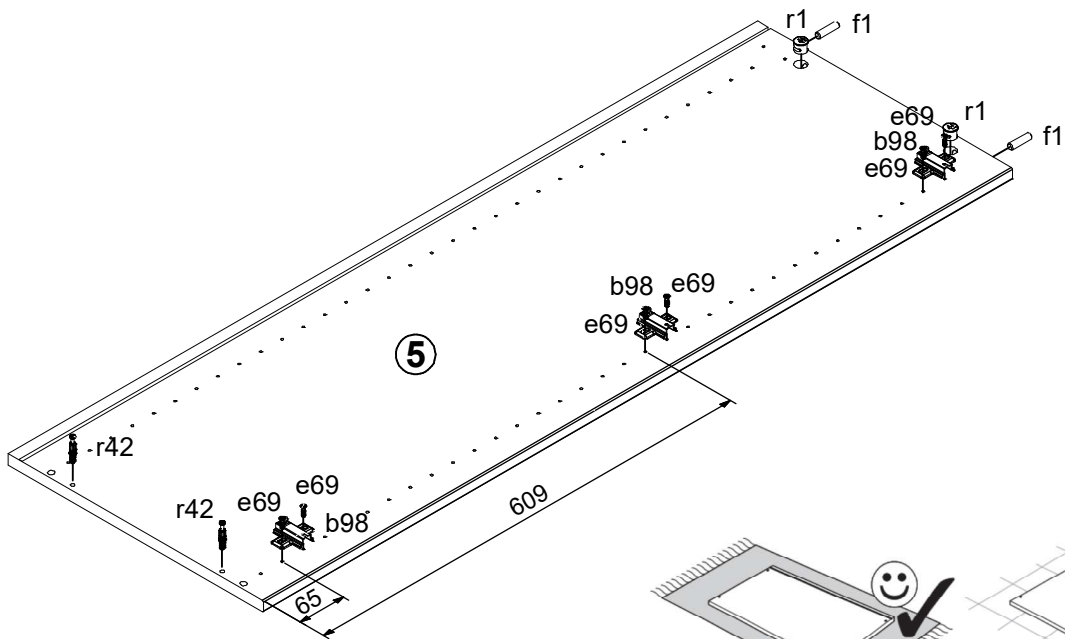



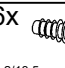
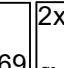
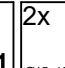



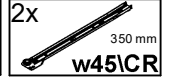
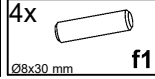
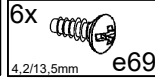
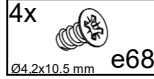
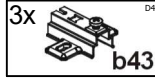
2x  b98	4x  e68 Ø4,2x10,5 mm	4x  e69 4,2/13,5mm	2x  f1 Ø8x30 mm	2x  r1 Ø15x12 mm #16	2x  r42	2x  w45\CL 350 mm
--	--	--	---	--	--	---



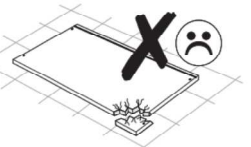
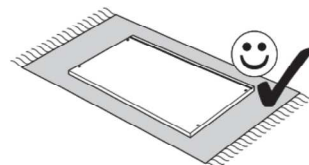
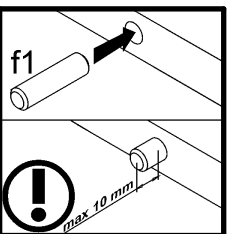
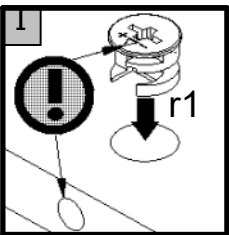
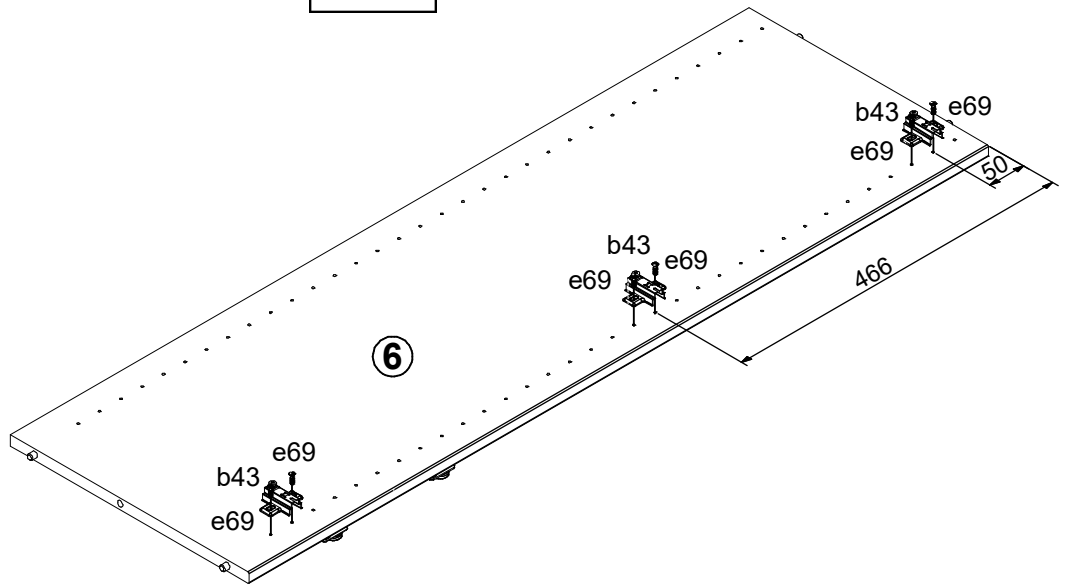
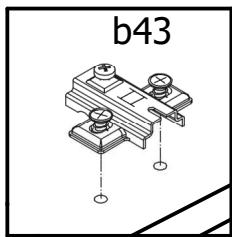
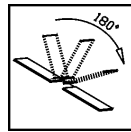
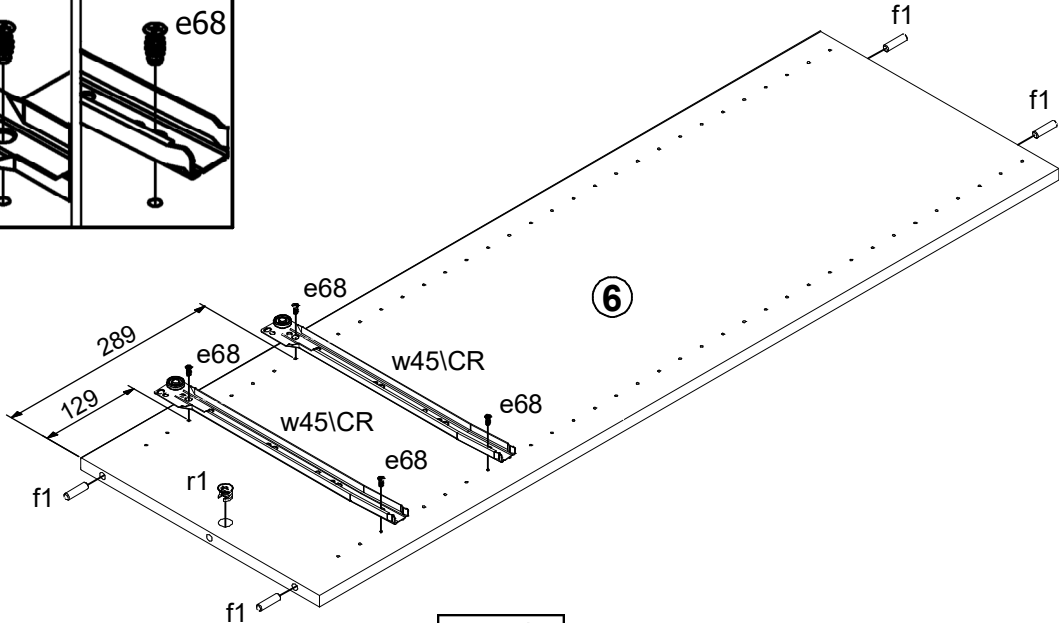
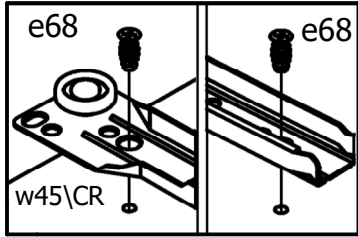
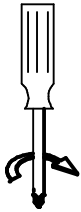
2 ▶

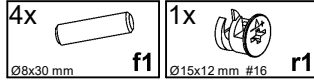


3x  b98	6x  e69 4,2/13,5mm	2x  f1 Ø8x30 mm	2x  r1 Ø15x12 mm #16	2x  r42
--	--	---	--	--

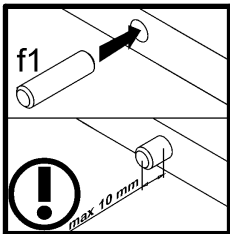
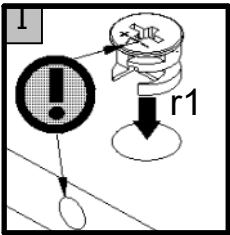
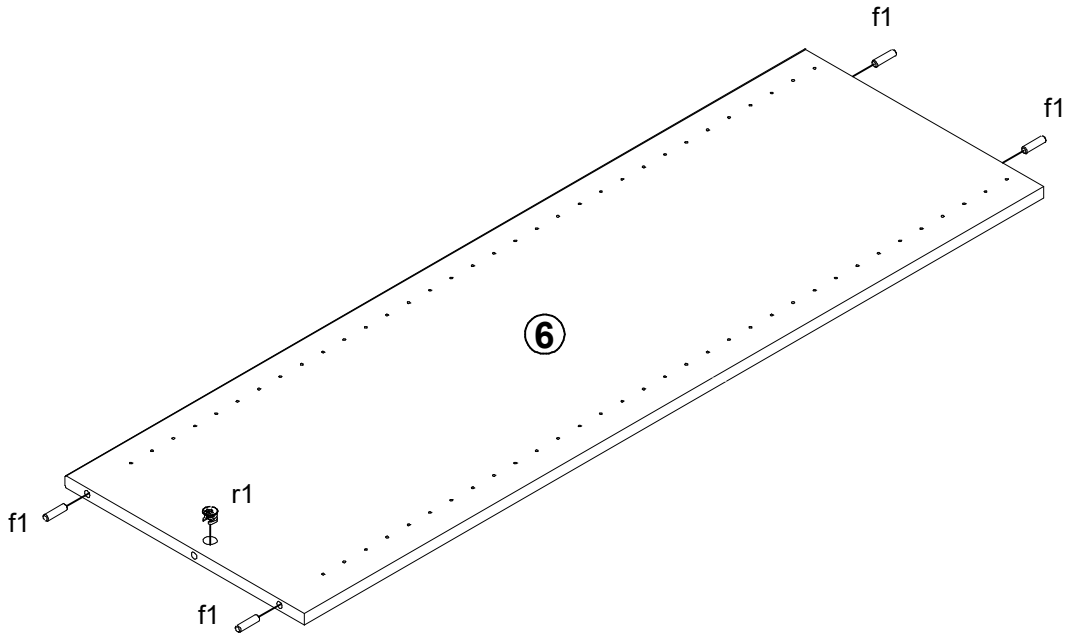


3 ▶

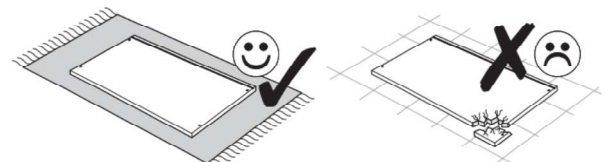
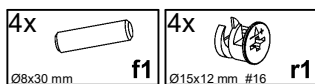
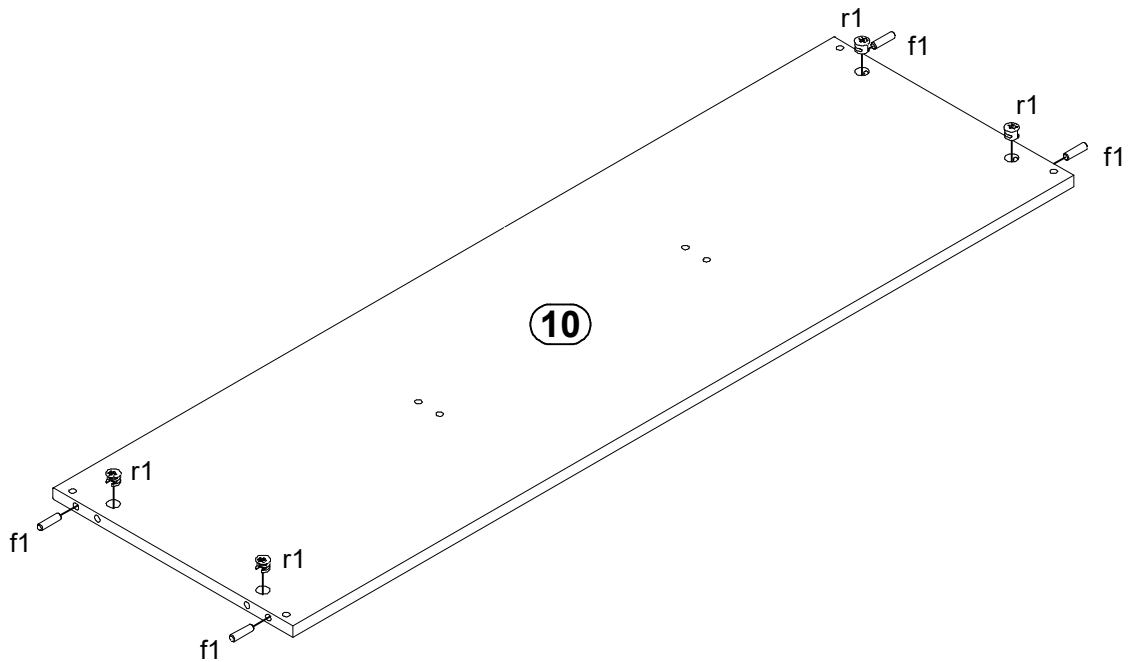


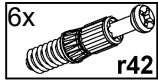


4 ▶

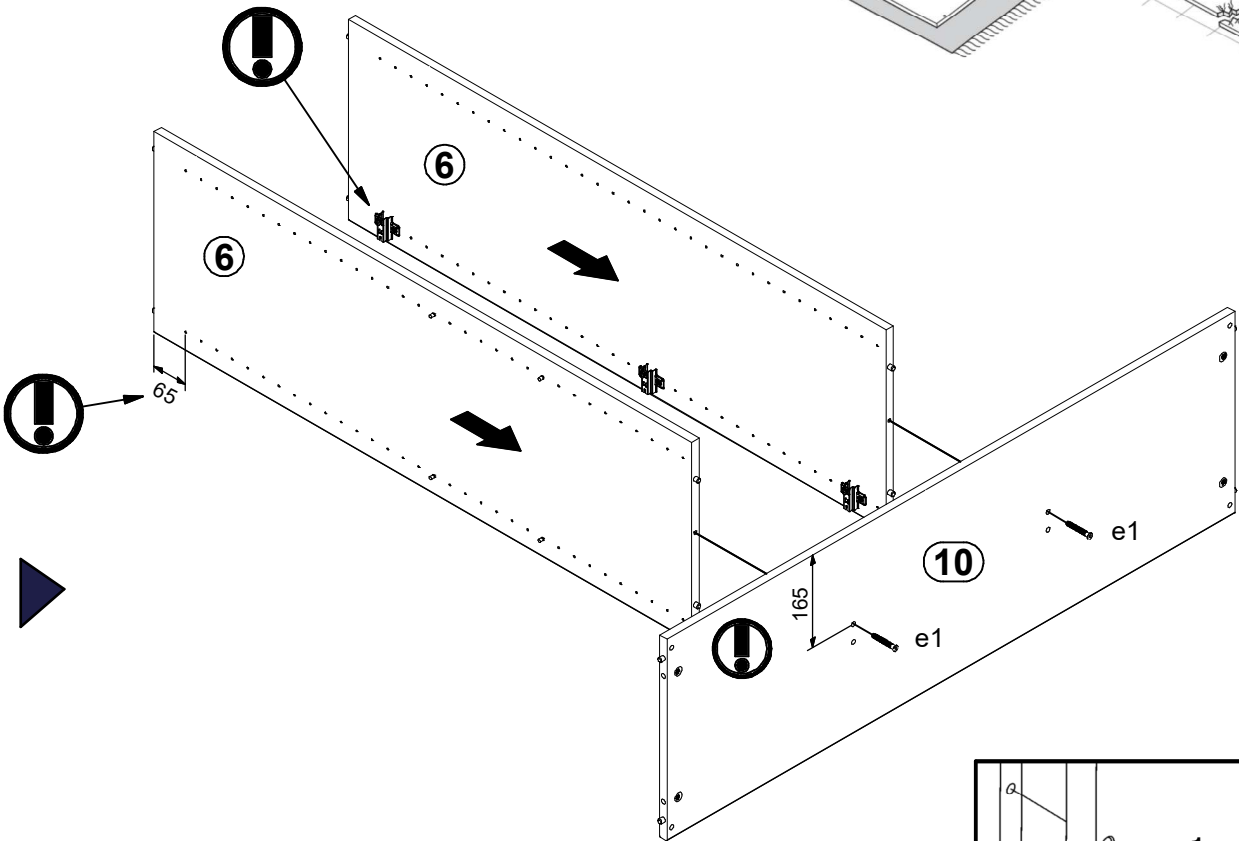
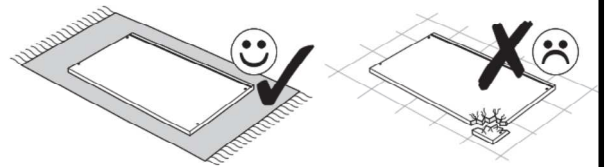
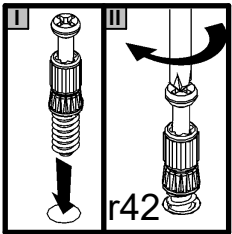
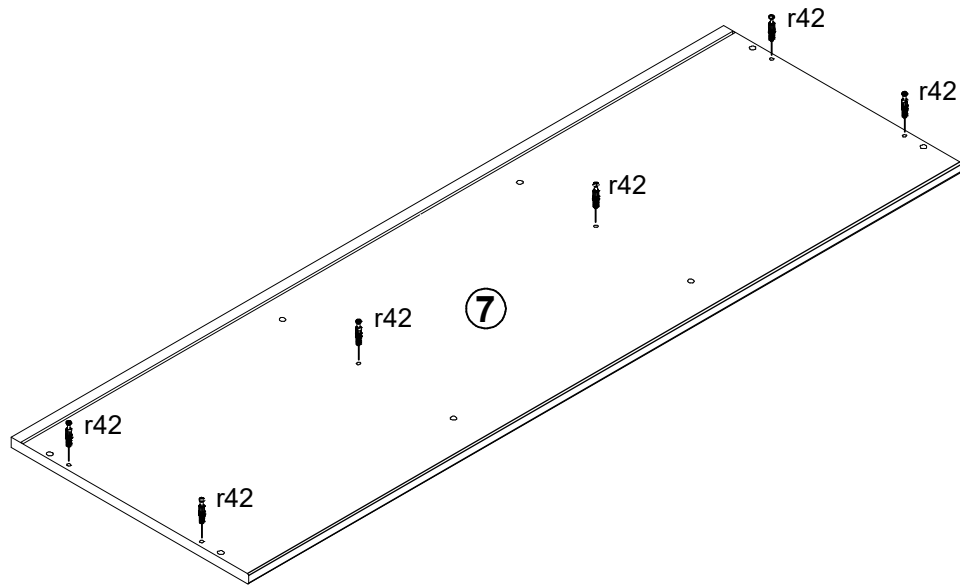


5 ▶

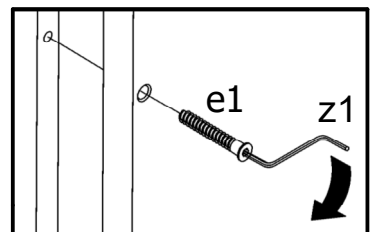
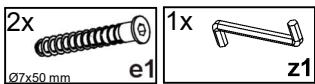




6 ▶

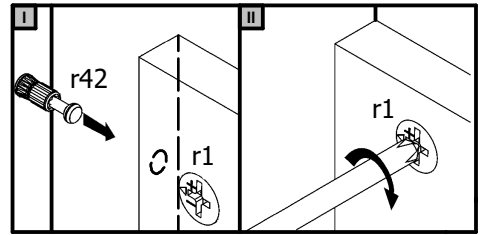
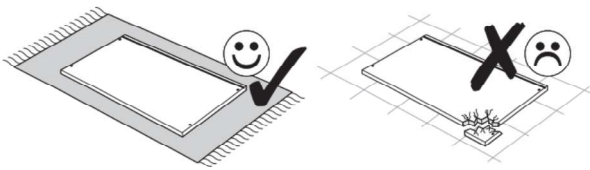
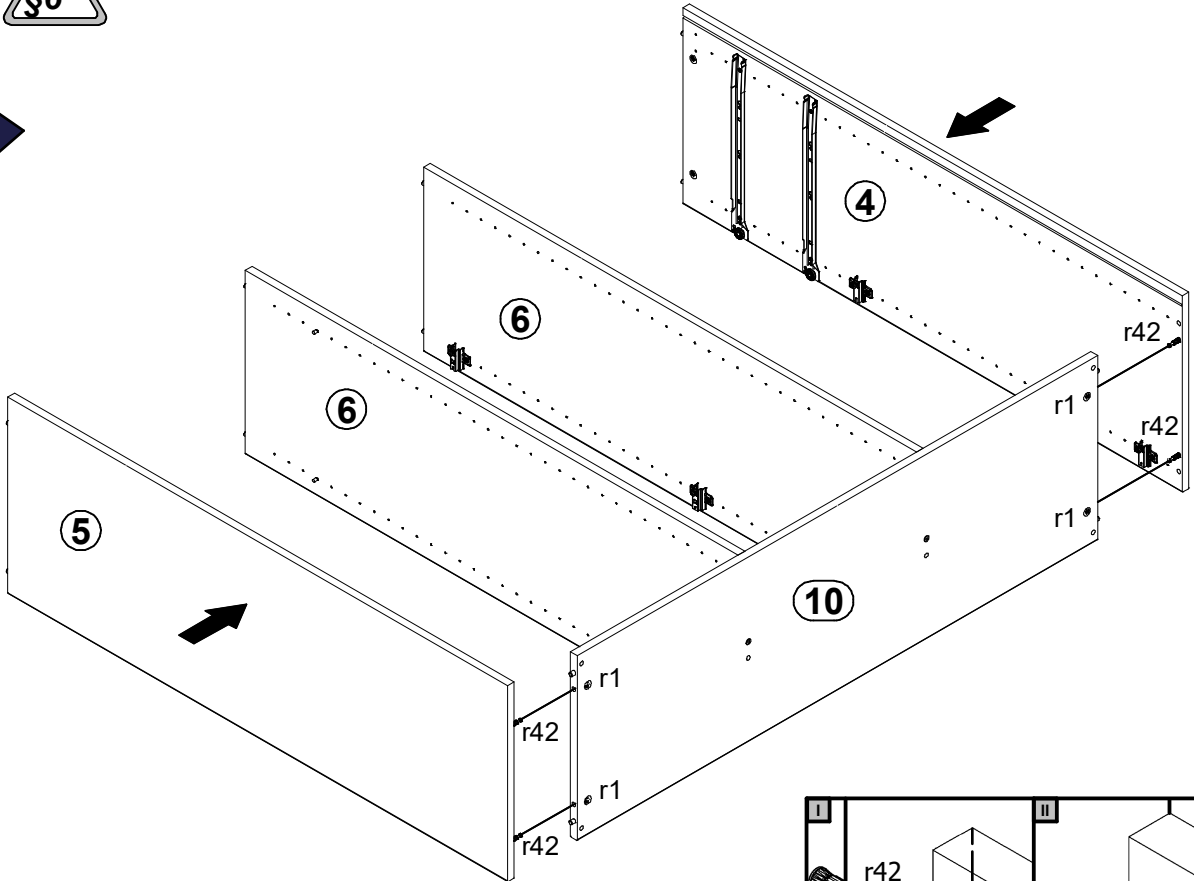


7 ▶

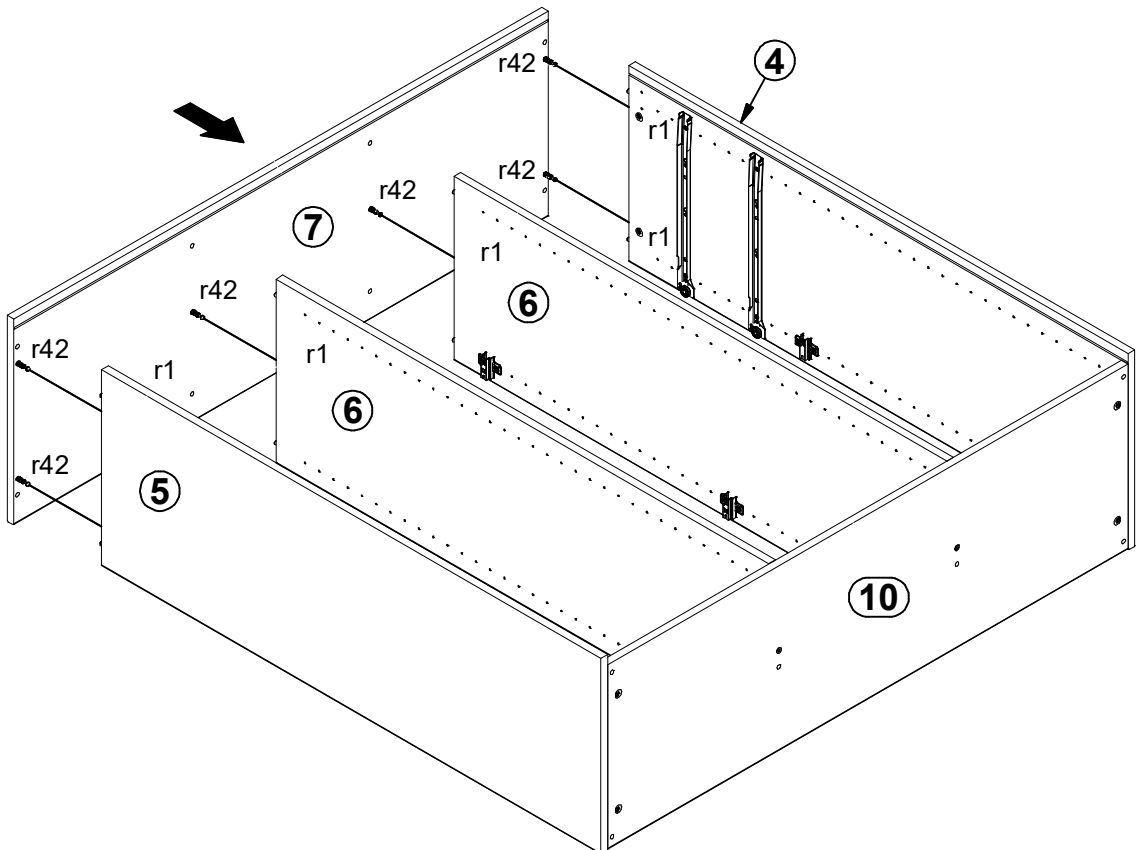


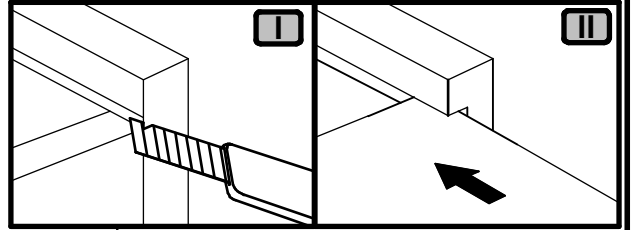


8 ▶

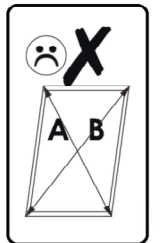
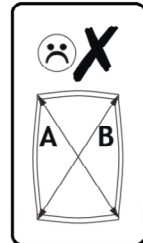
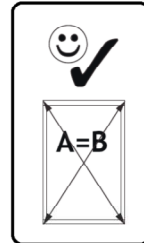
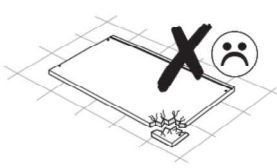
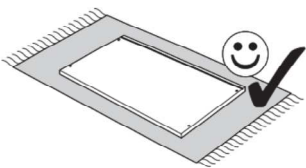
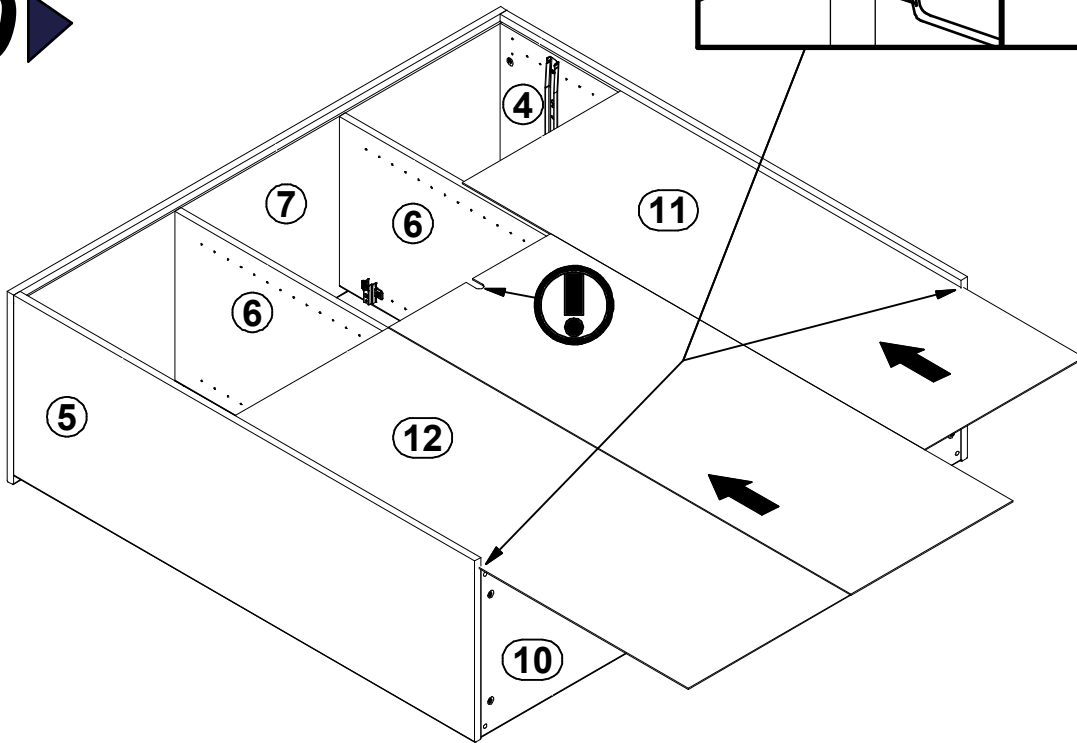


9 ▶

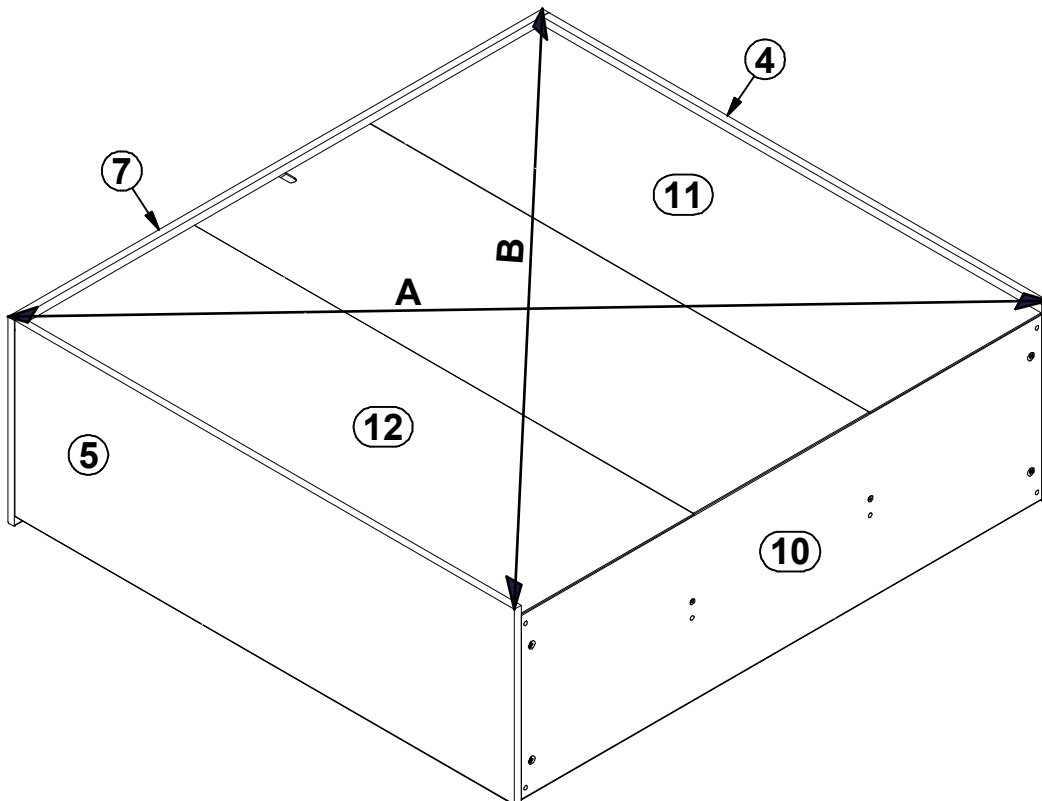




10 ▶






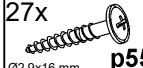
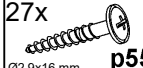
11 ▶



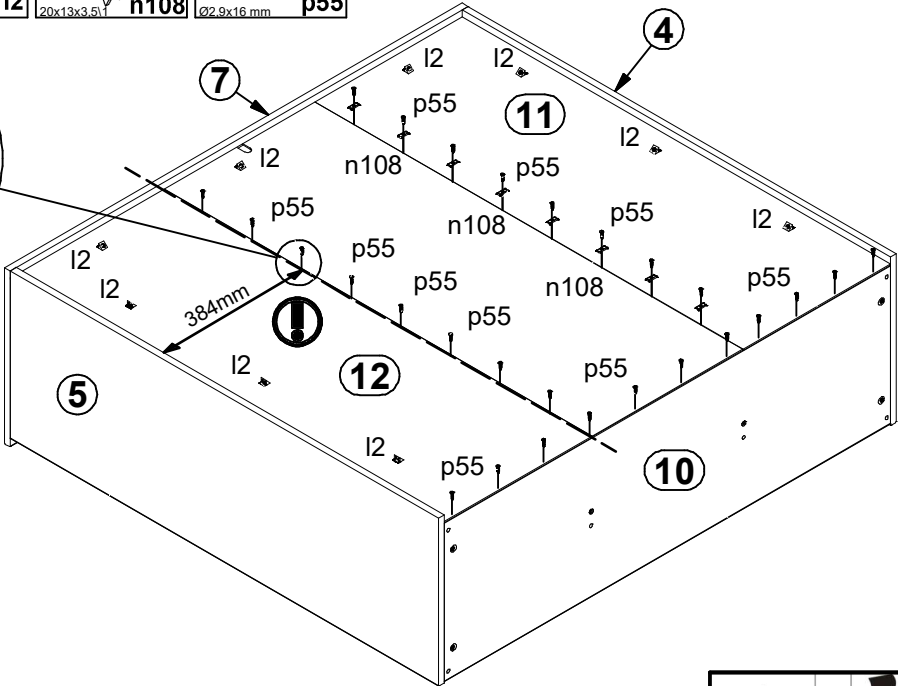
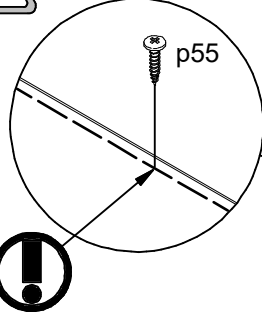
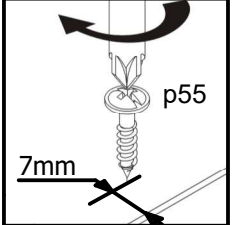
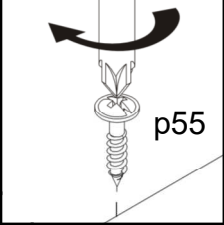
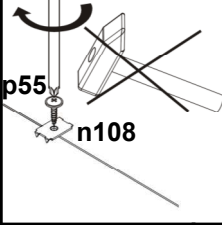
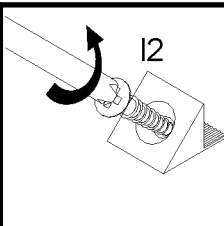
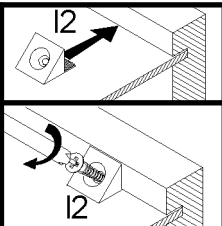
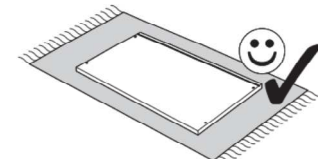
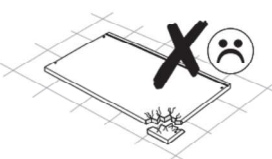
A=B

12 ▶

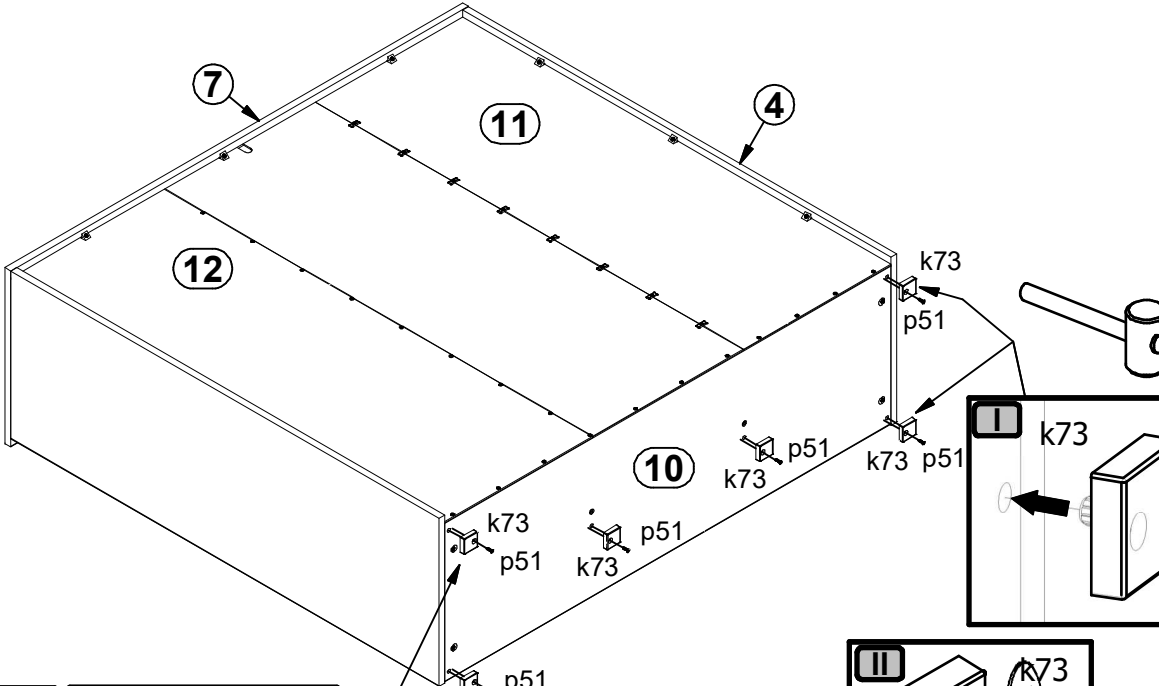
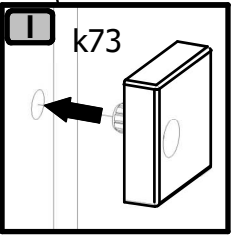
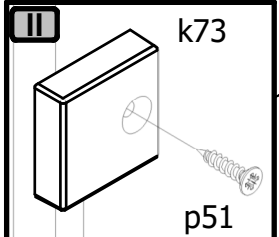
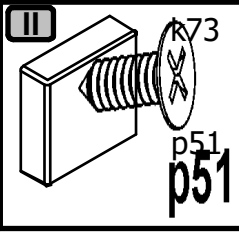
⚠




9x  I2  8x  20x13x3,51 n108  27x  Ø2,9x16 mm p55

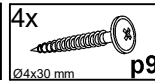
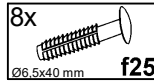
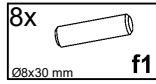
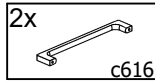
§2 §6

13 ▶

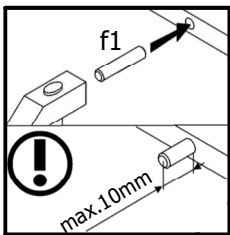
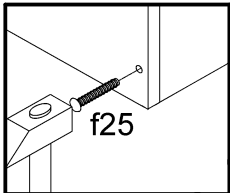
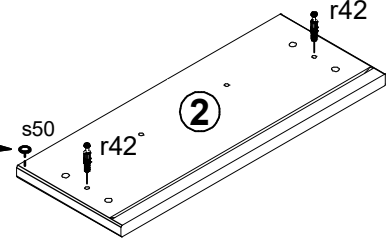
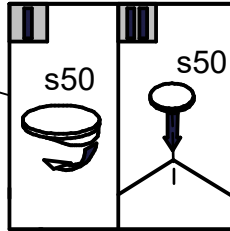
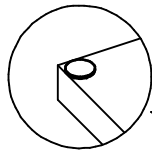
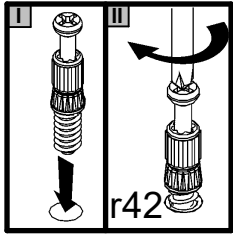
6x  35x35x10 mm k73  6x  Ø3,5x15 mm p51



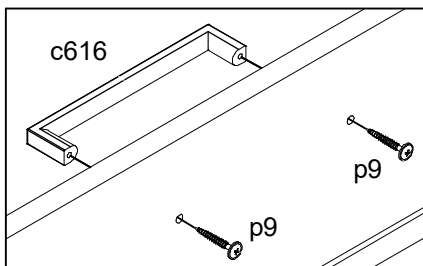
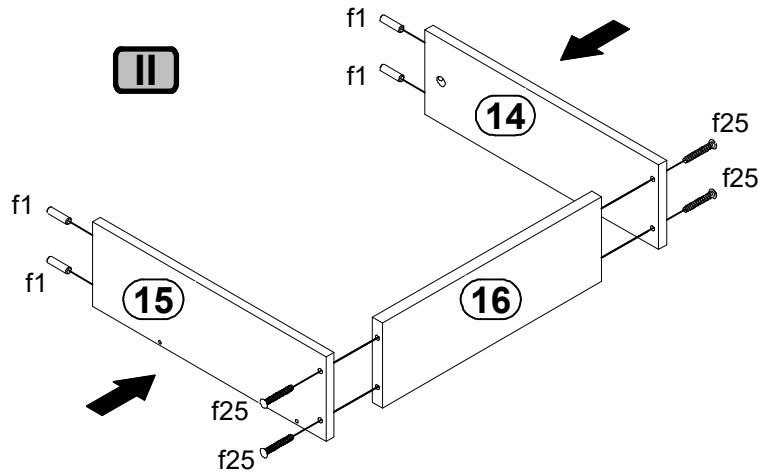
14 ▶

2x !

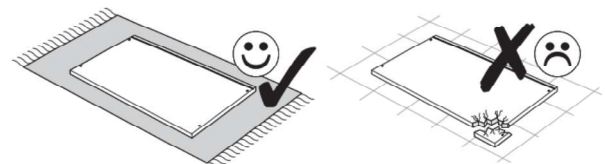
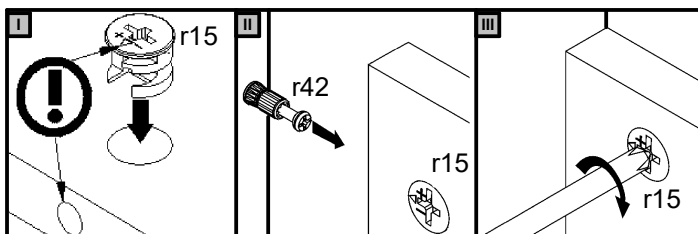
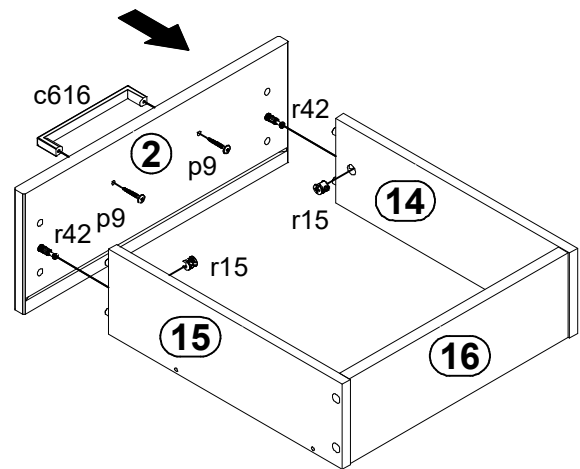
I

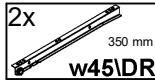
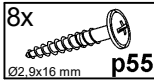
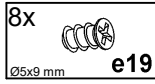


II



III

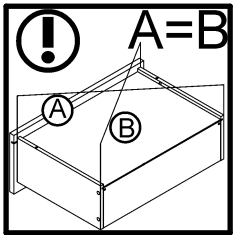
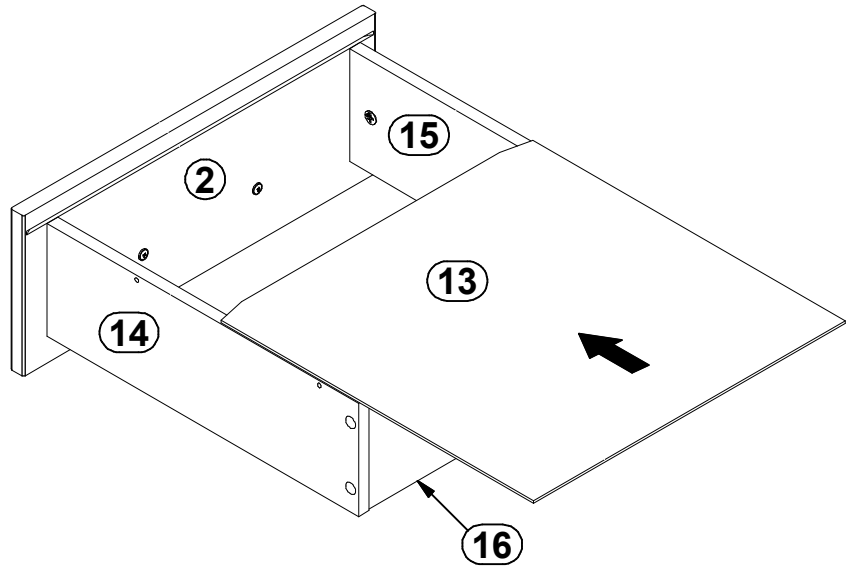




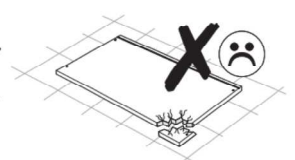
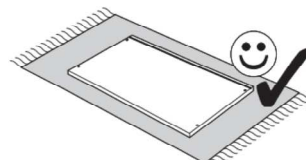
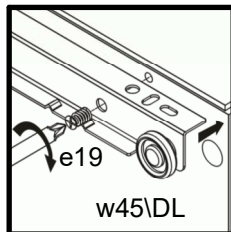
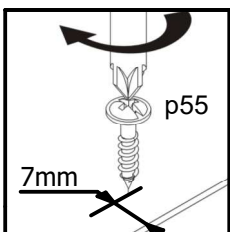
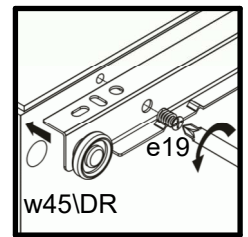
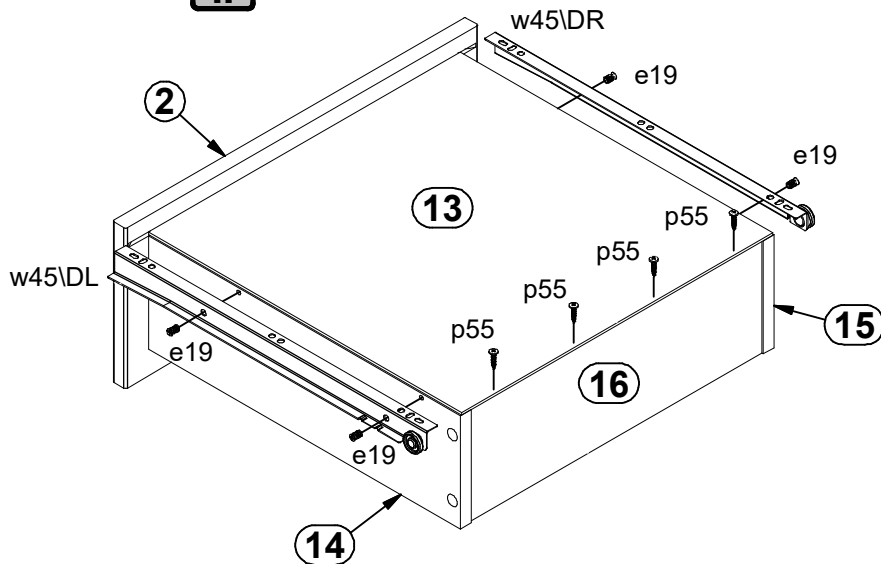
15 ▶

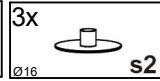
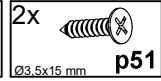
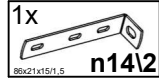
! 2x

I

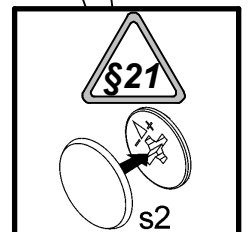
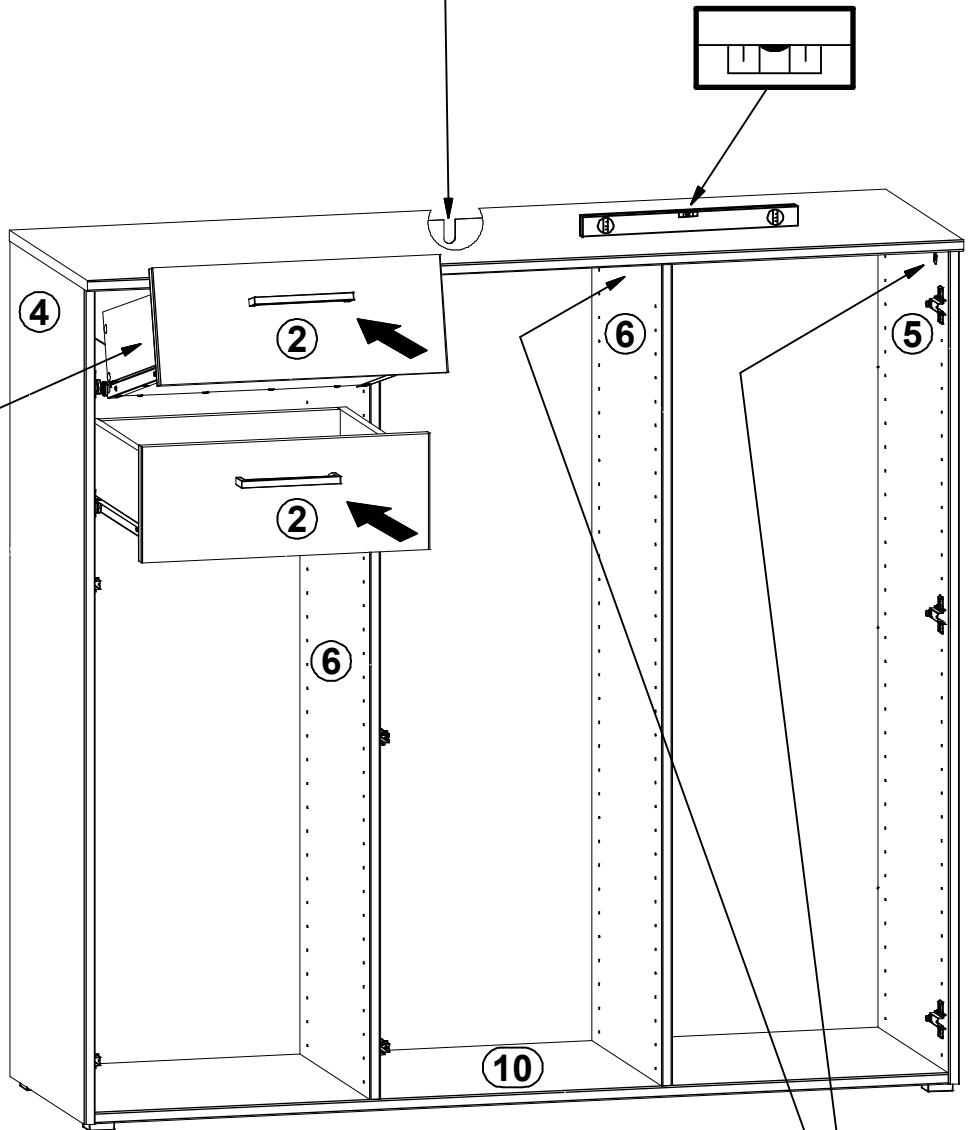
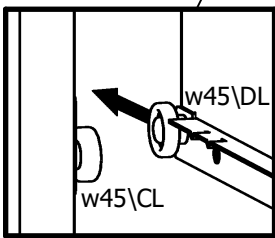
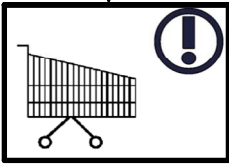
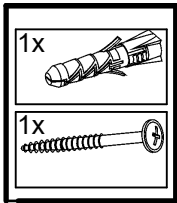
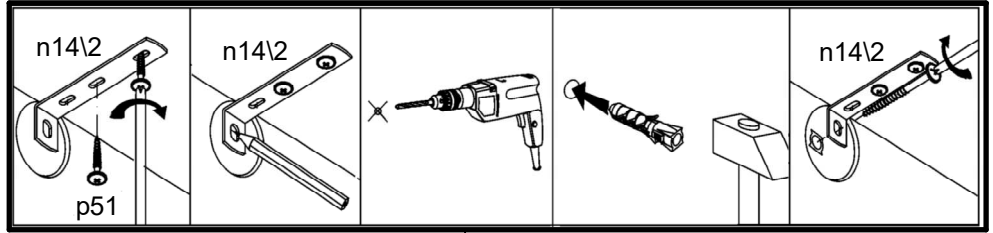


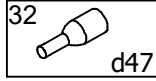
II



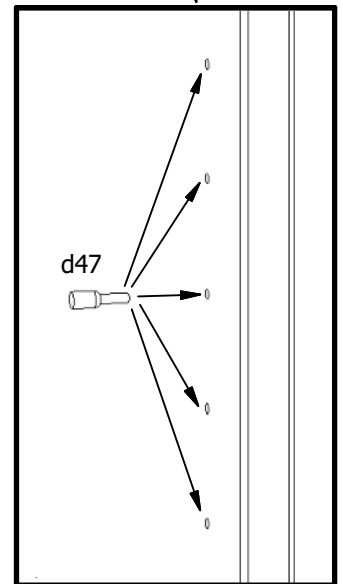
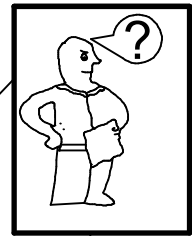
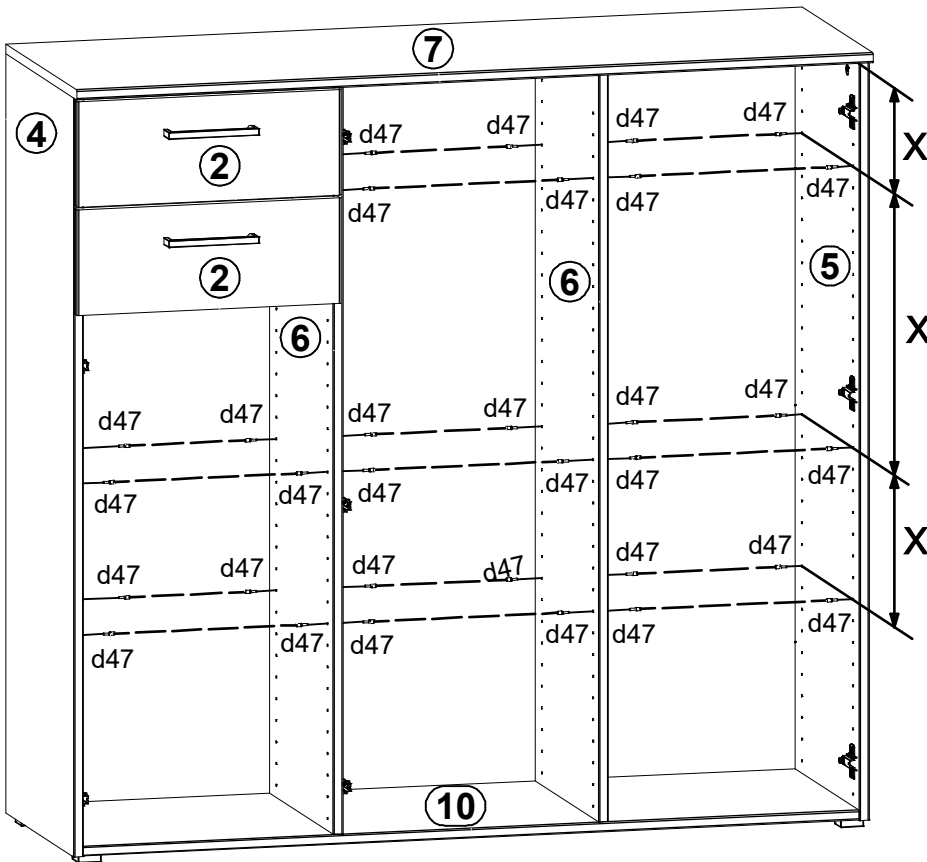
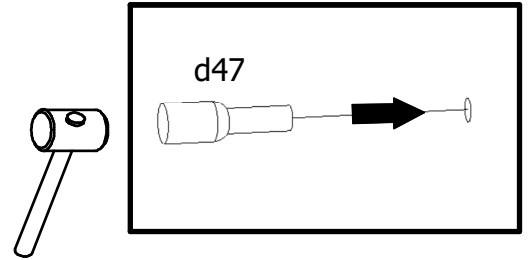


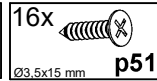
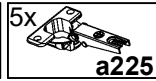
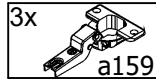
16 ▶



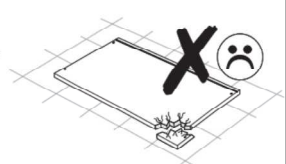
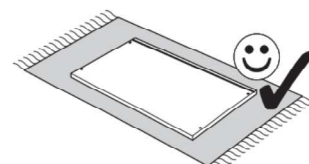
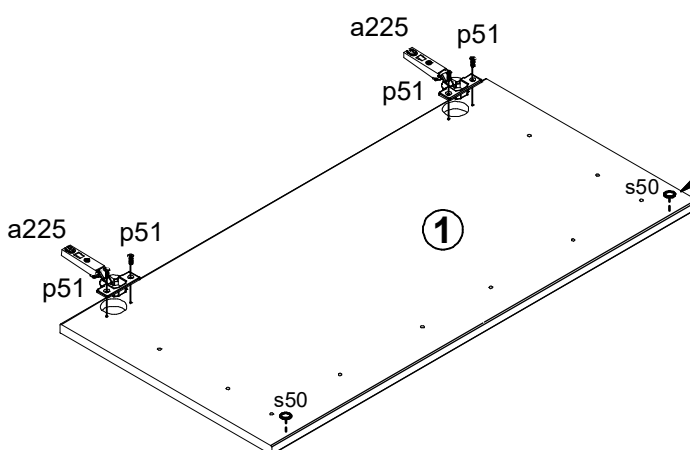
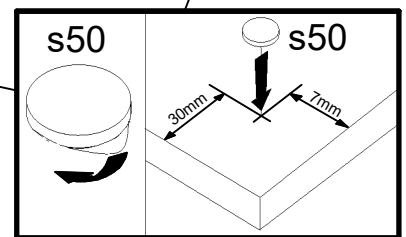
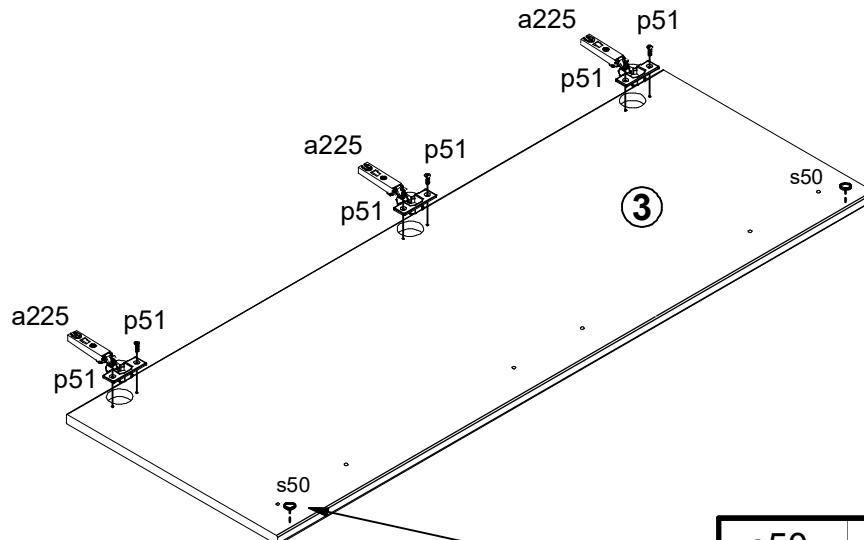
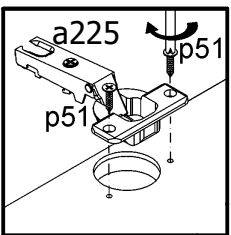
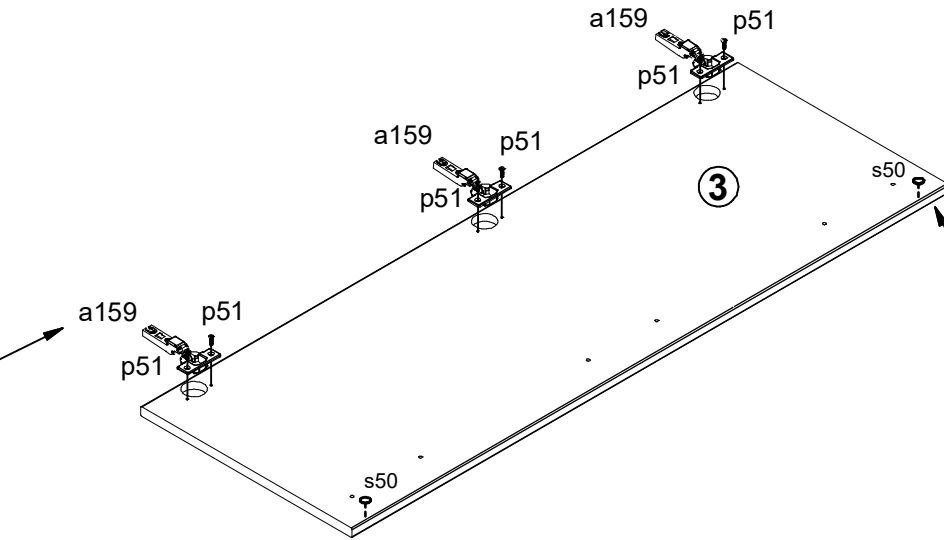
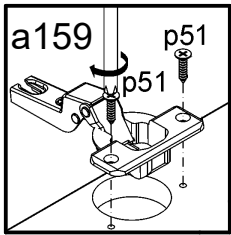


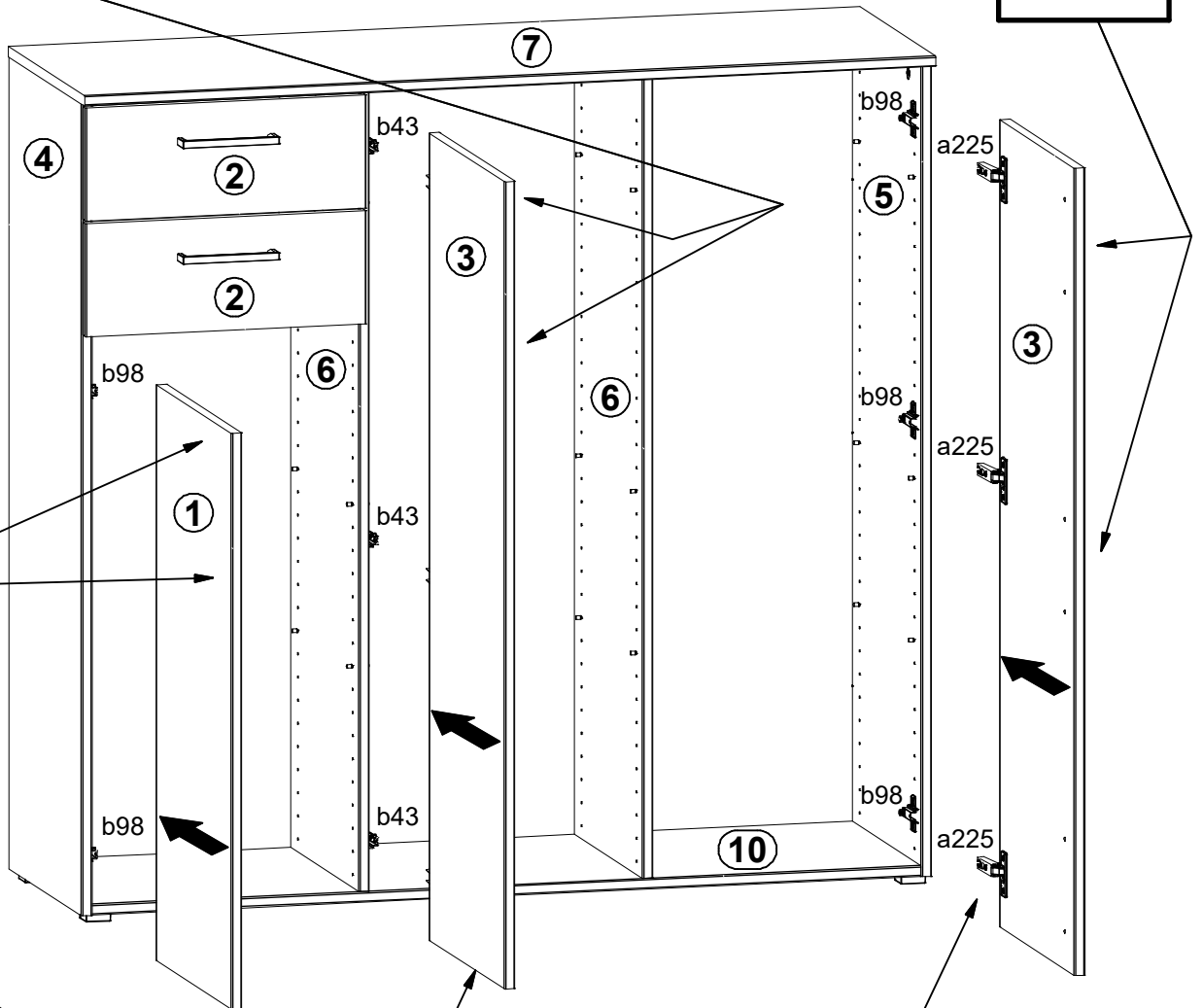
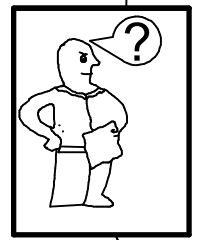
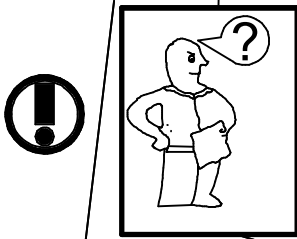
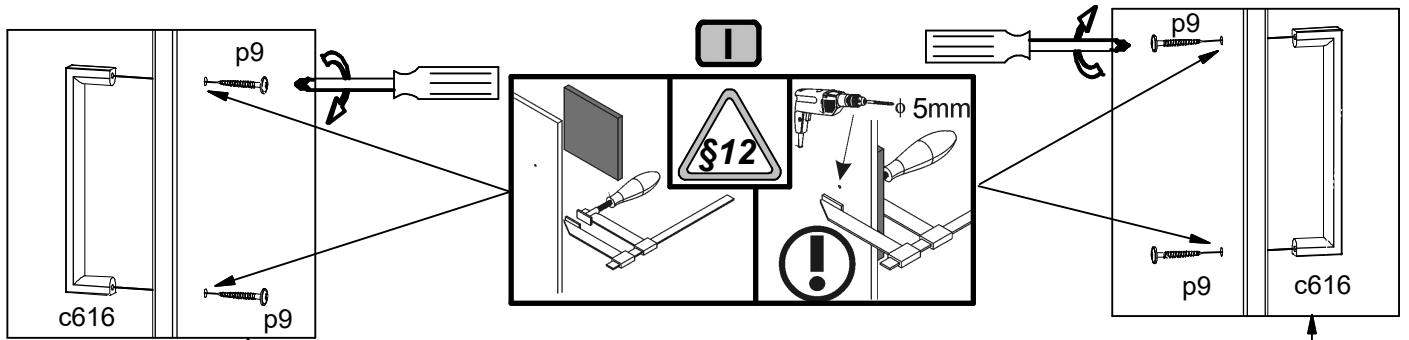
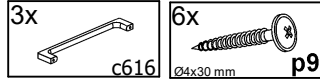
17 ▶



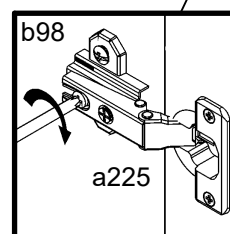
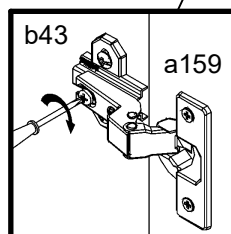


18 ▶





19 ▶





20 ▶

