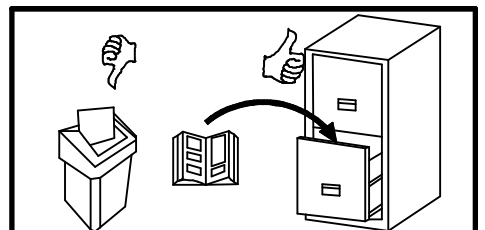
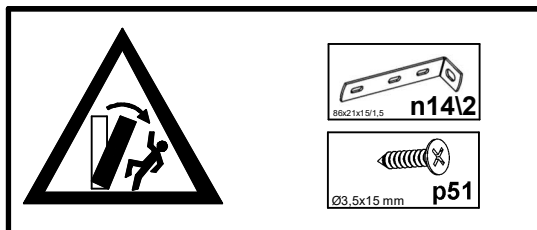
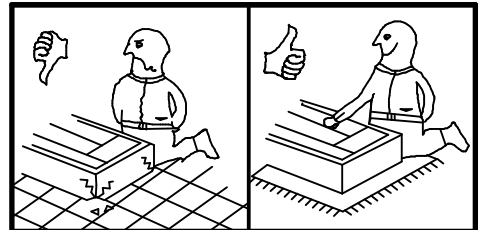
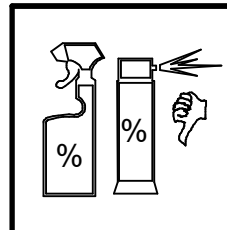
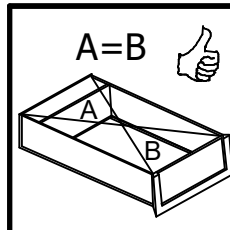
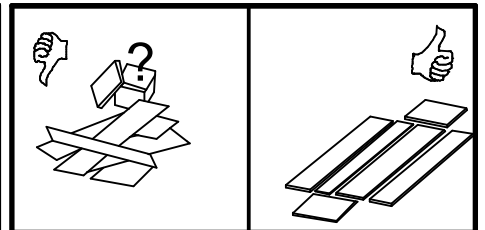
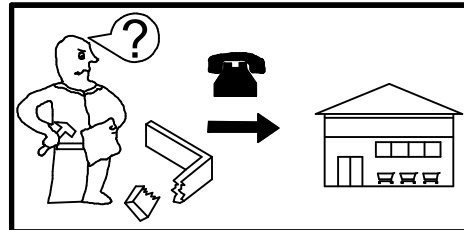
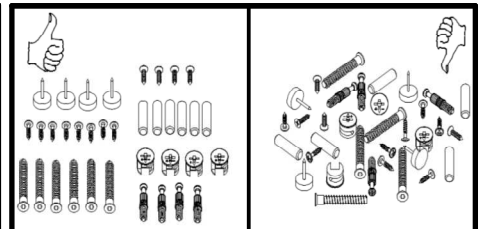
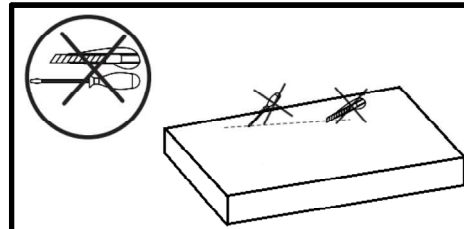
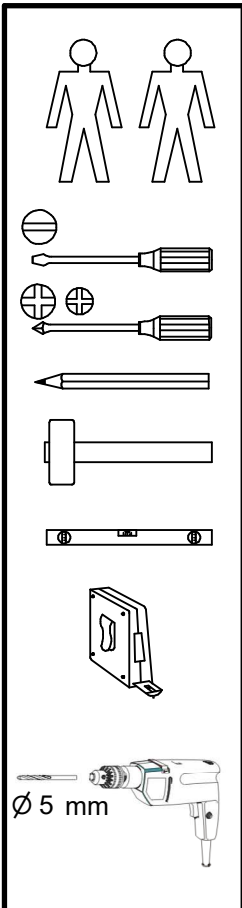
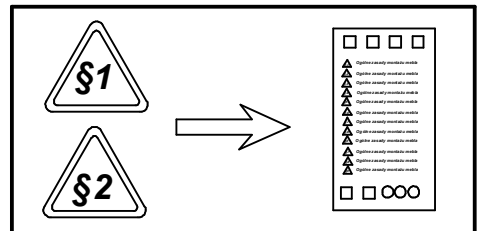
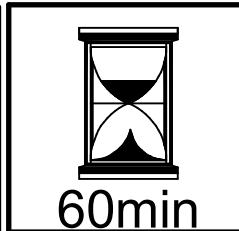
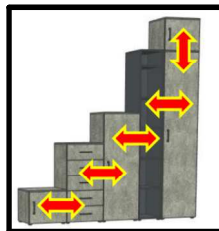
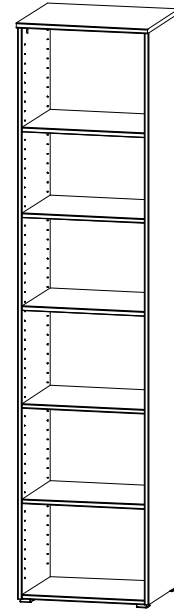
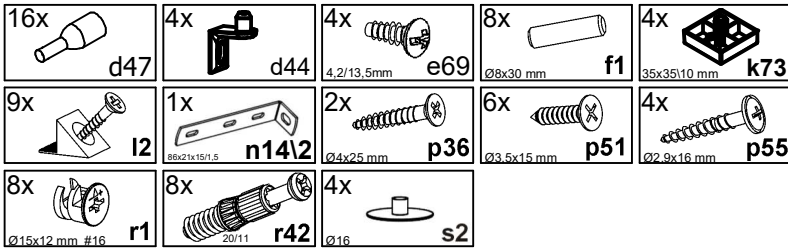
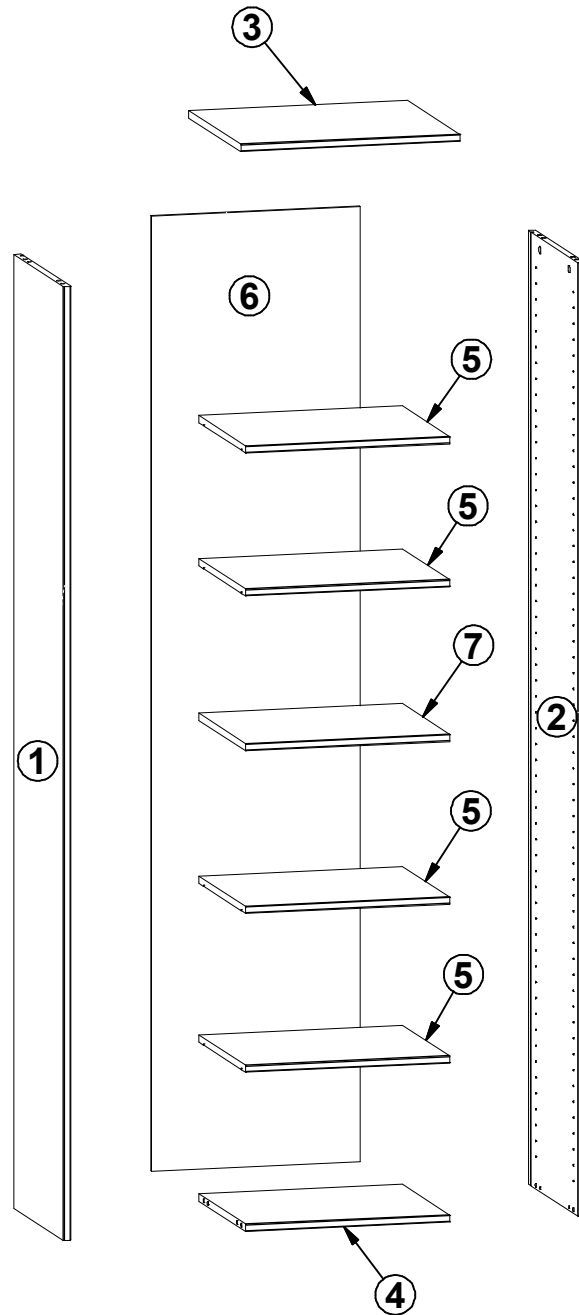


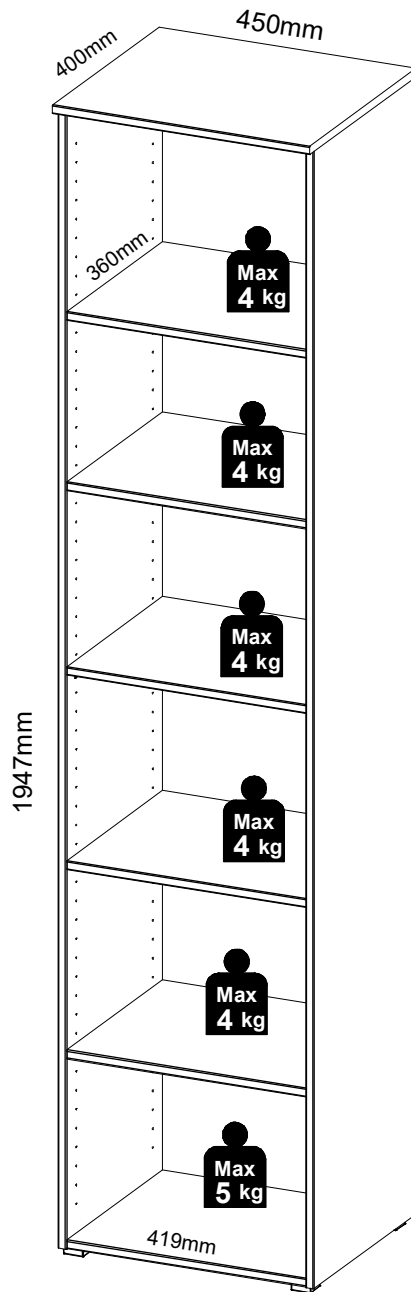
134502070...
 2427019.../19
 2427020.../19
 5107385
 5107114
 5107386
 5107387

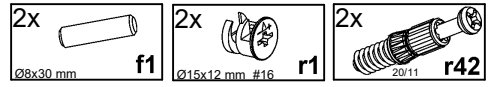




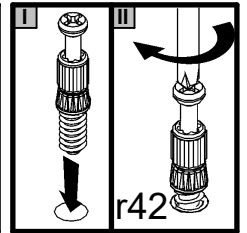
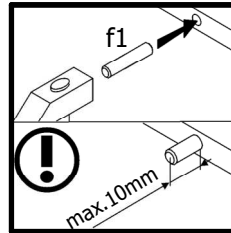
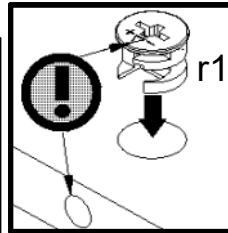
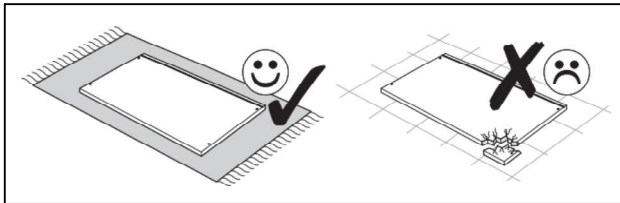
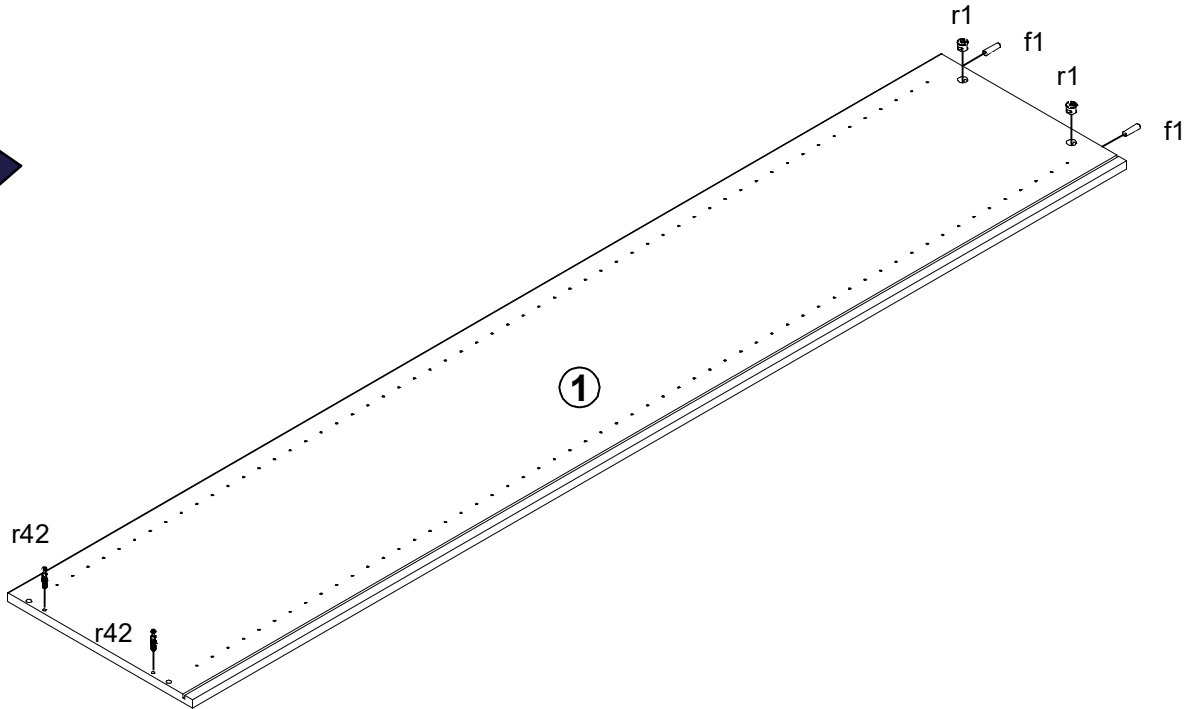
A	B1	B2	C1	C2	C3	D
1	S588-1001	-3	1922	382	15	1/1
2	S588-1002	-4	1922	382	15	1/1
3	S588-2002	-3	450	400	15	1/1
4	S588-3003	-2	419	360	15	1/1
5	S588-3004	-2	419	360	15	1/1
6	S588-9002	-1	1925	429	2,5	1/1
7	S588-3035	-1	419	360	15	1/1



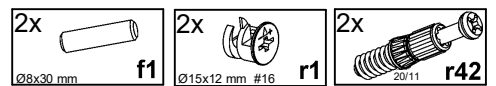
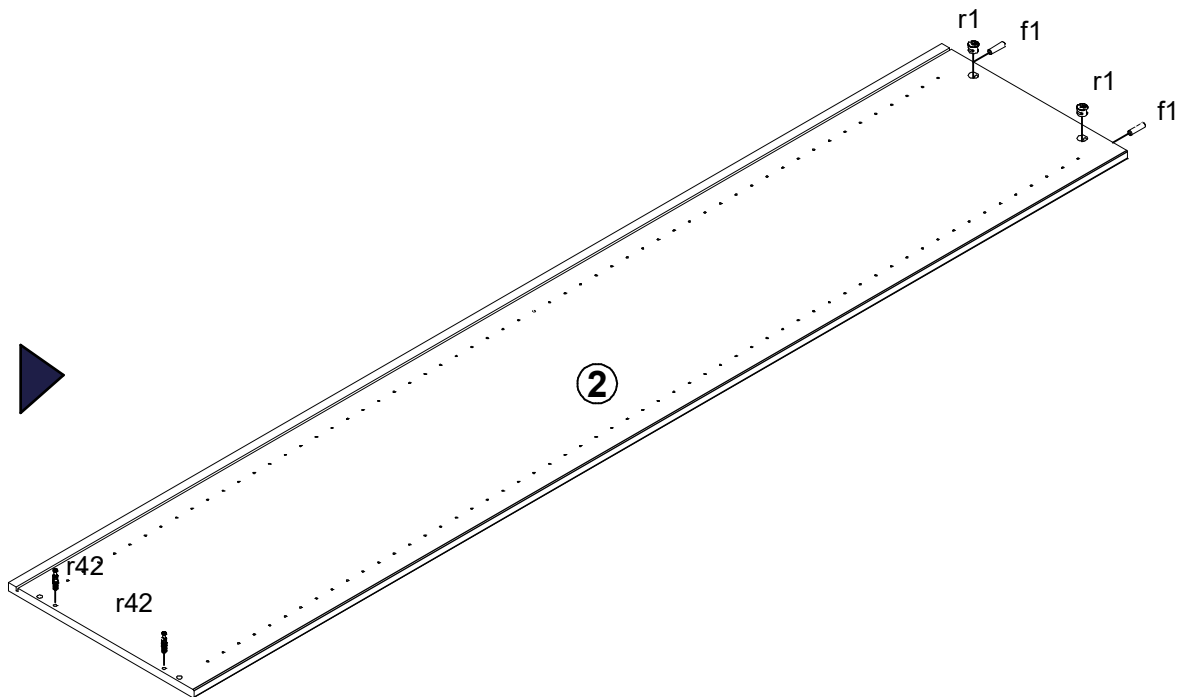


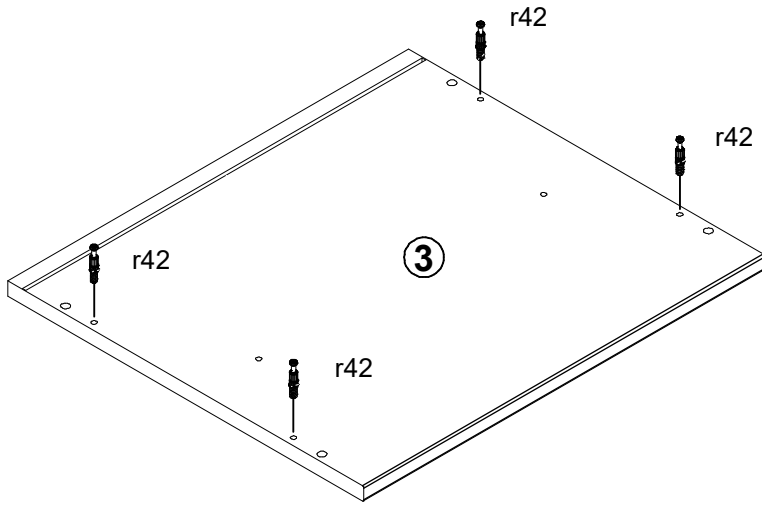


1 ▶

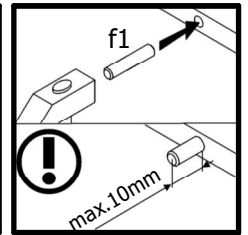
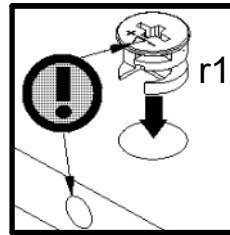
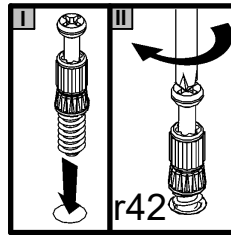
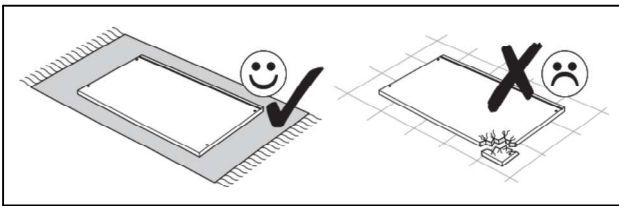


2 ▶

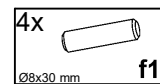
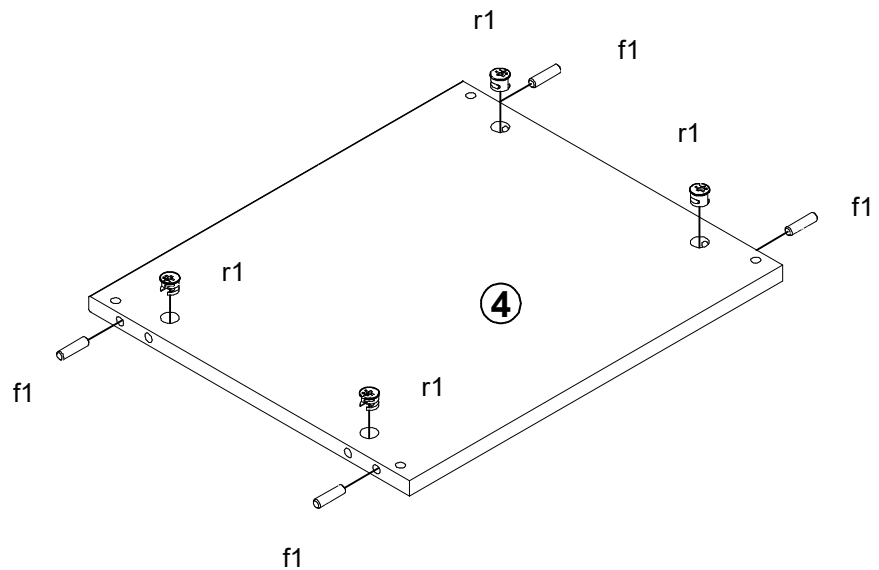


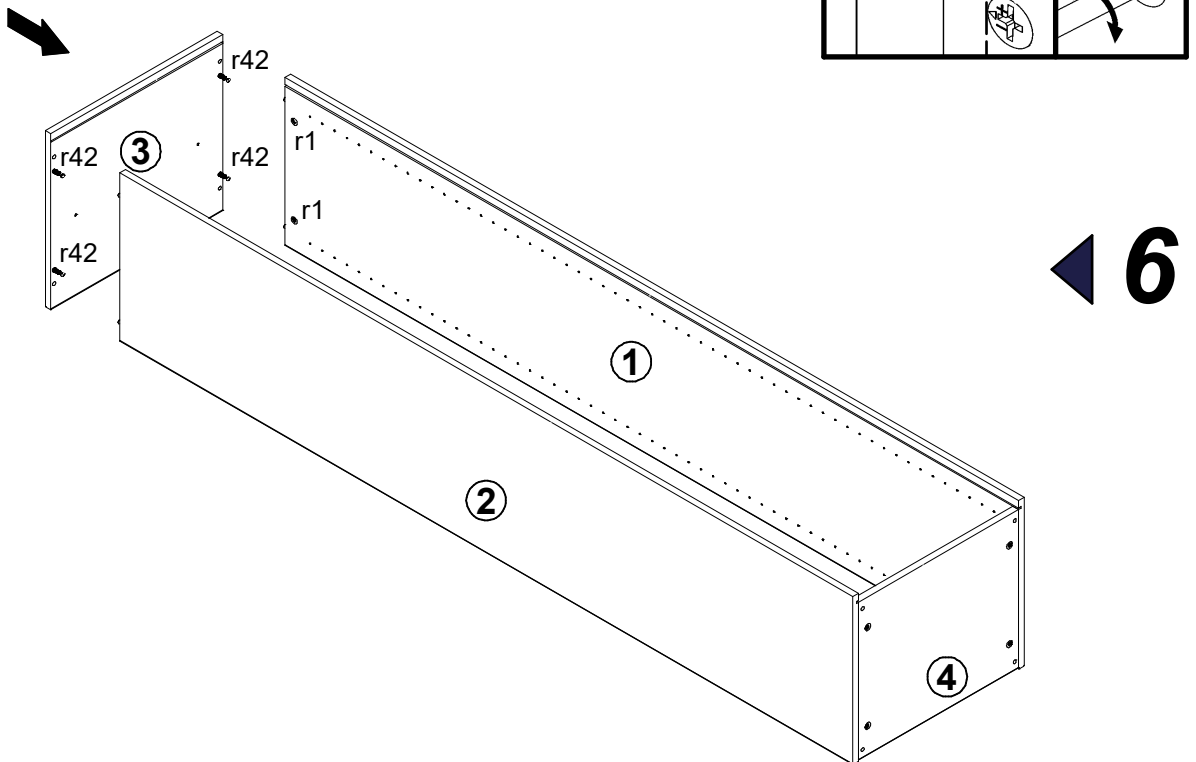
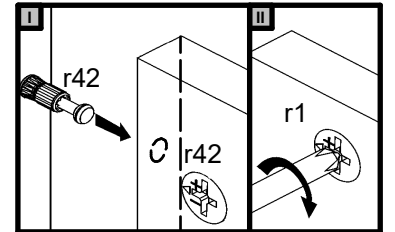
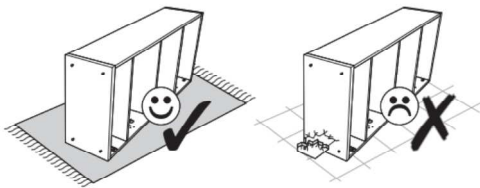
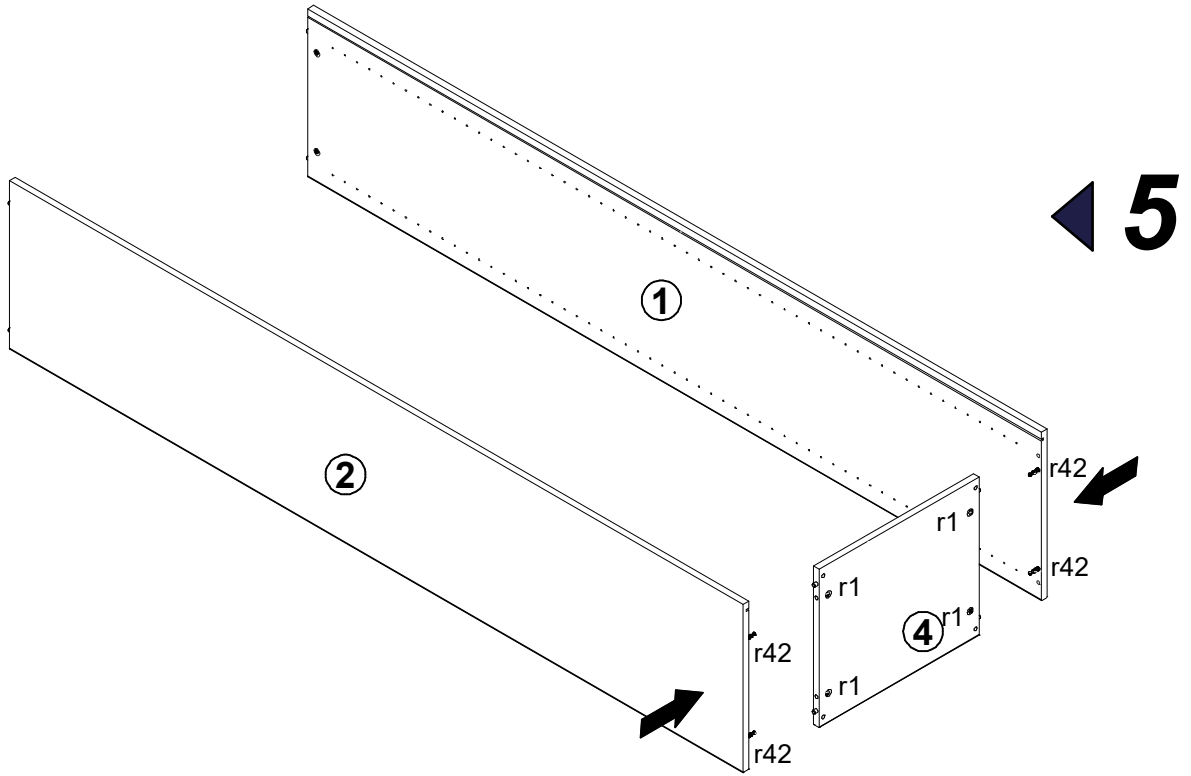


3

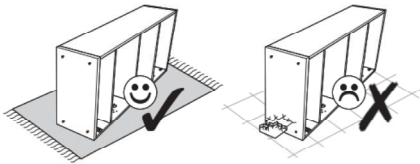
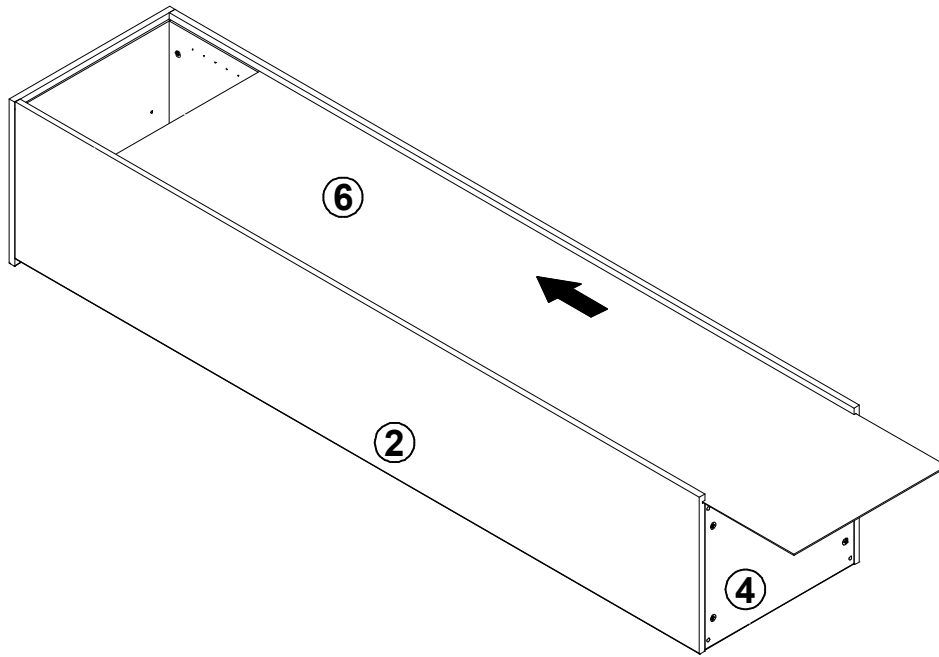


4

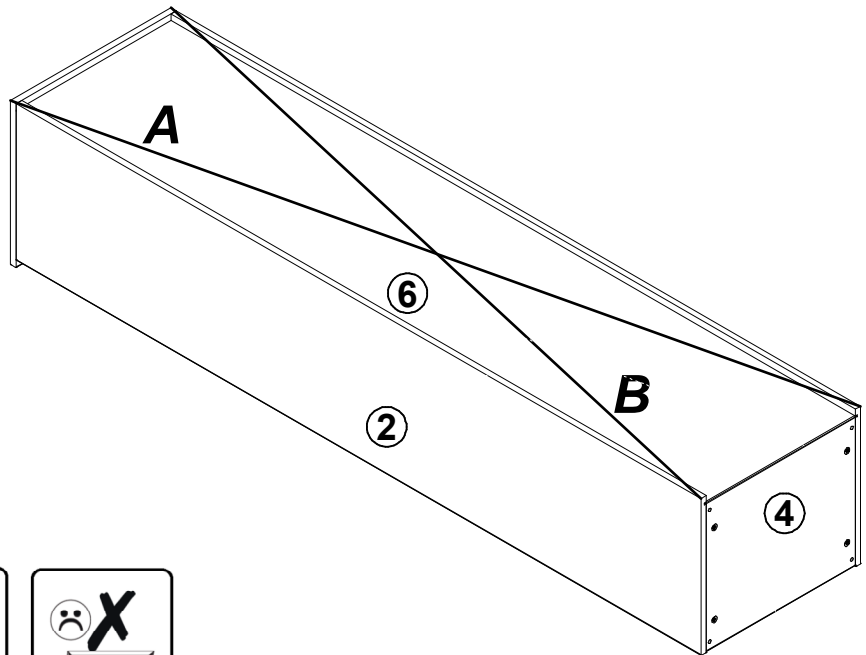




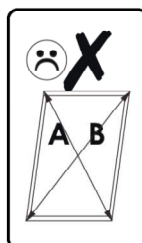
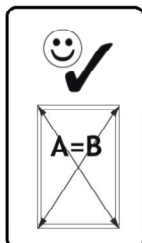
7

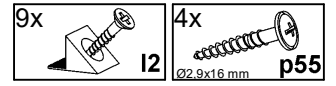


8

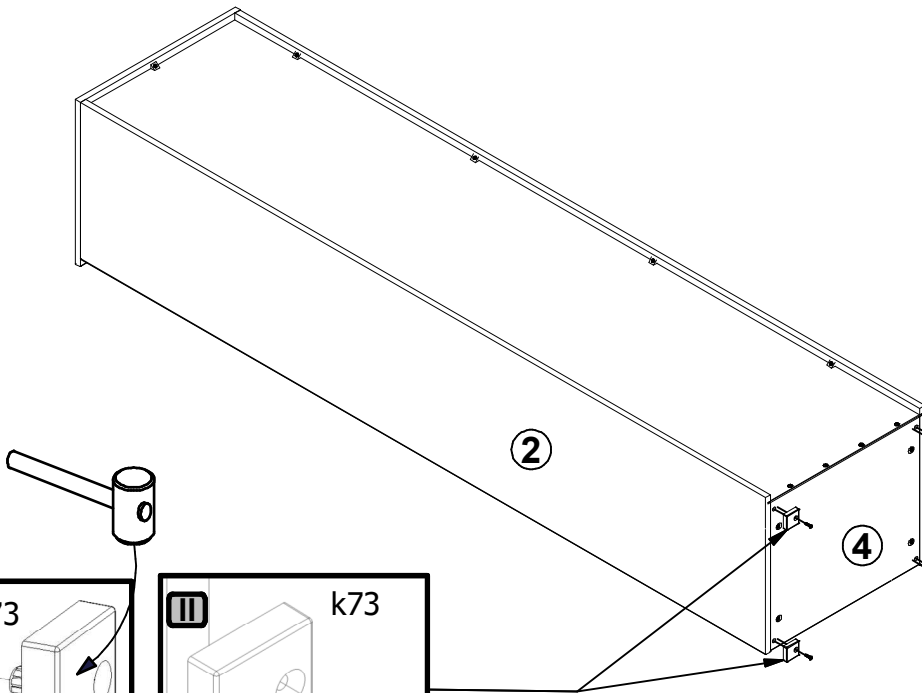
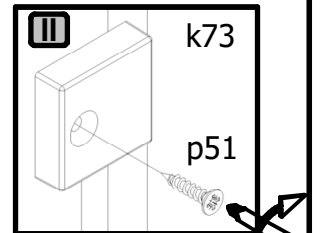
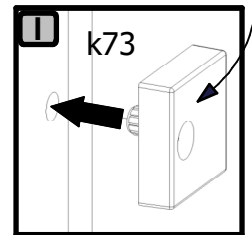
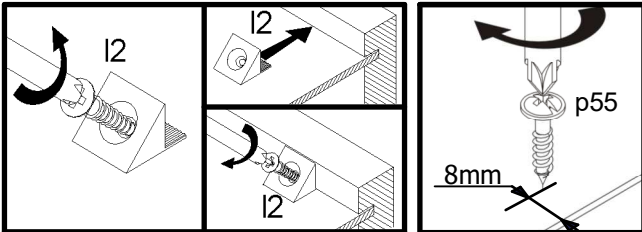
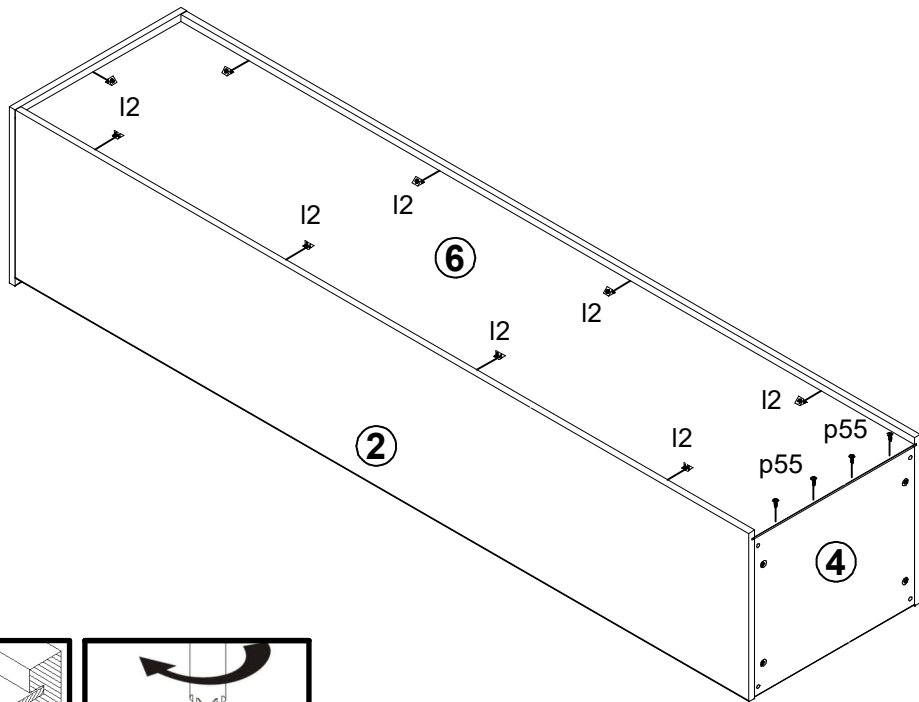


⚠
A=B

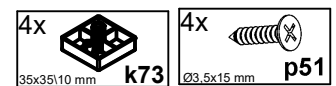
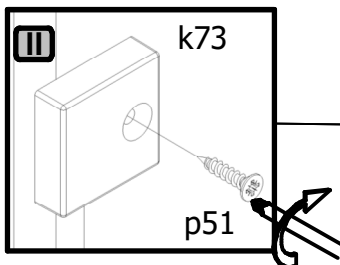
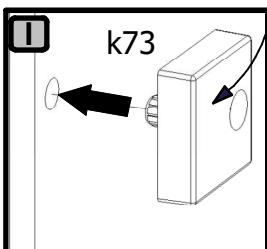


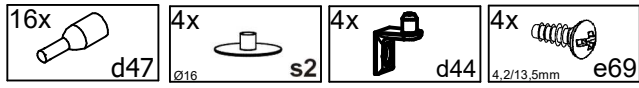


9 ▶

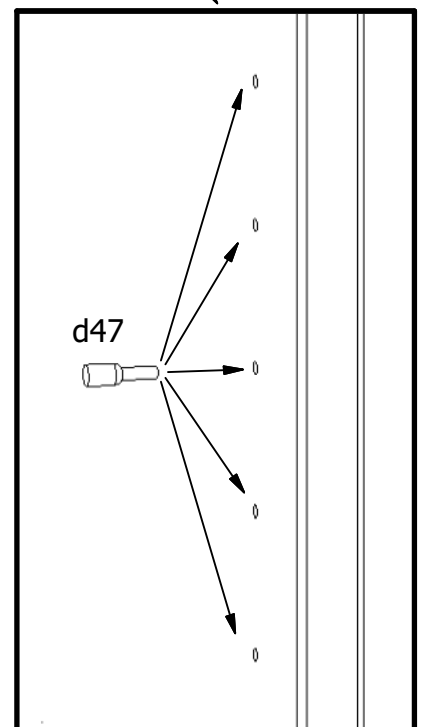
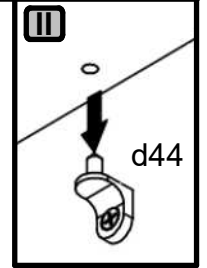
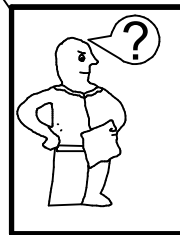
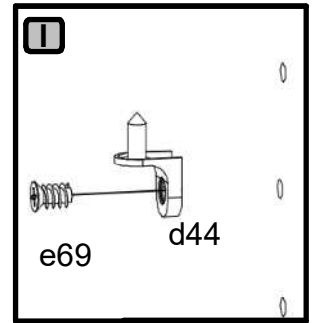
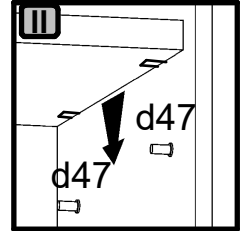
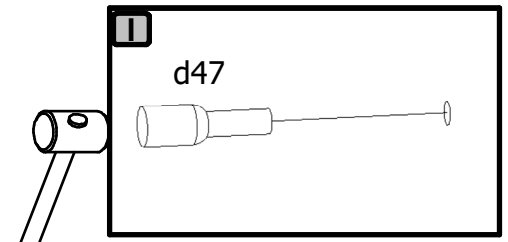
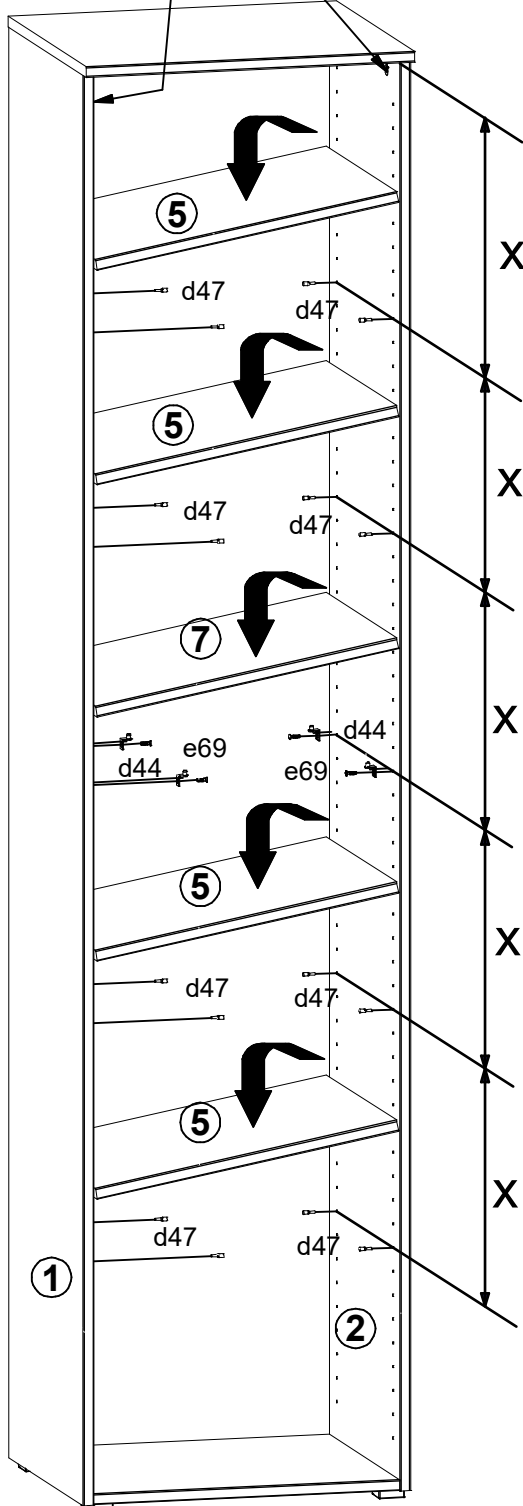
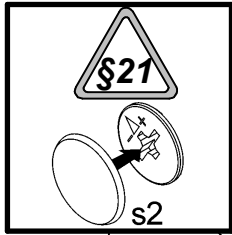


◀ 10





14



15

