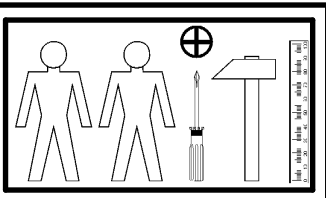
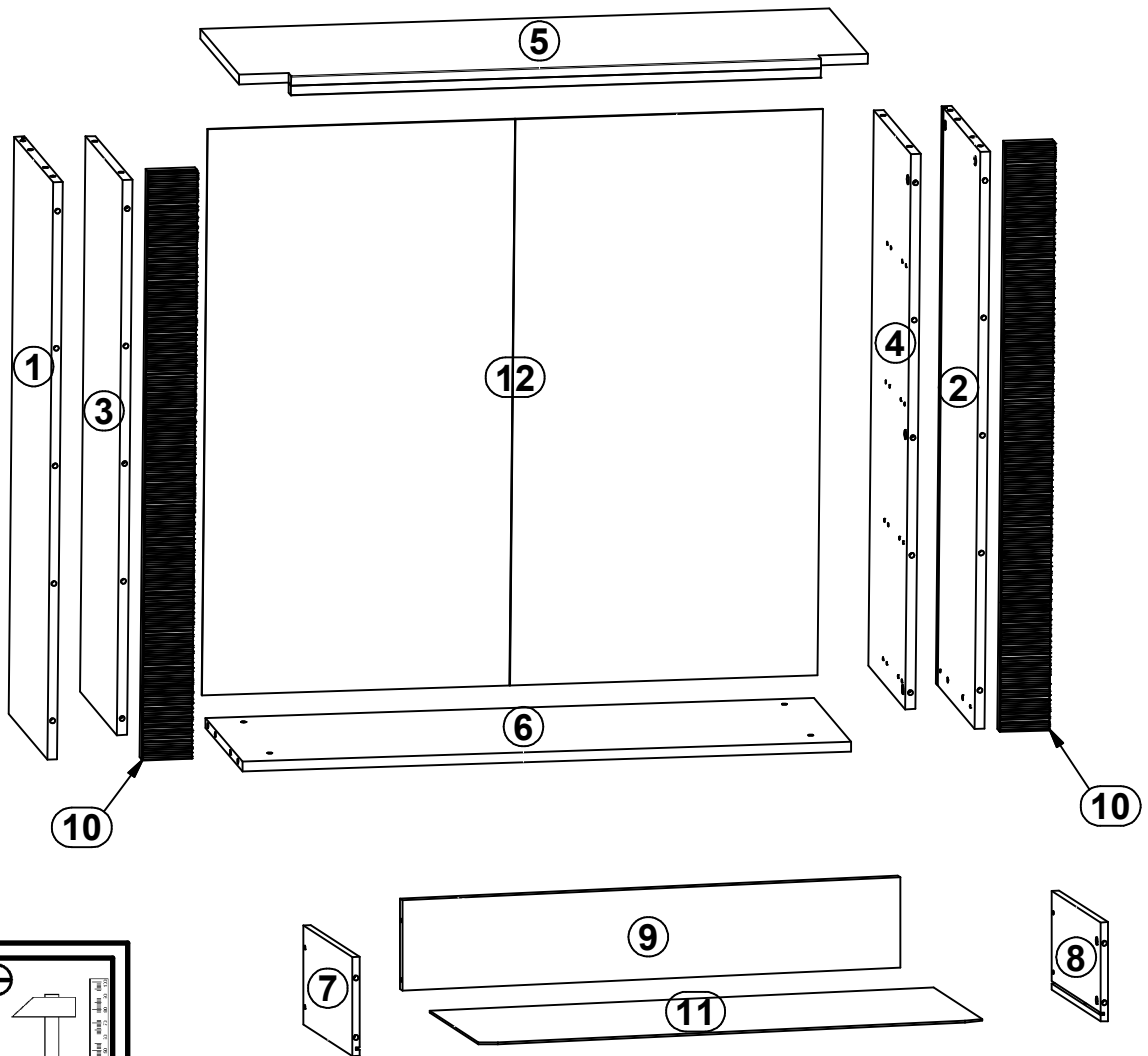
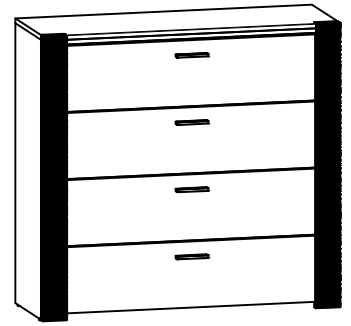
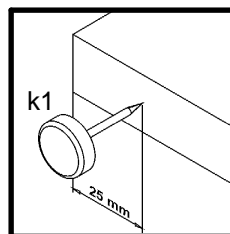
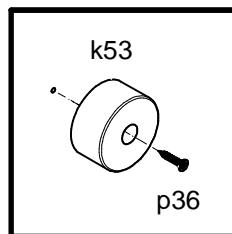
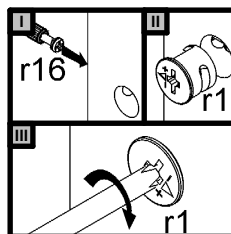
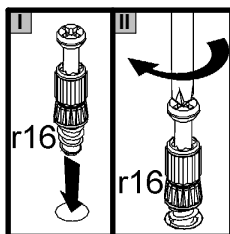
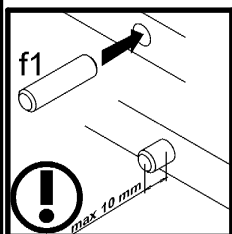
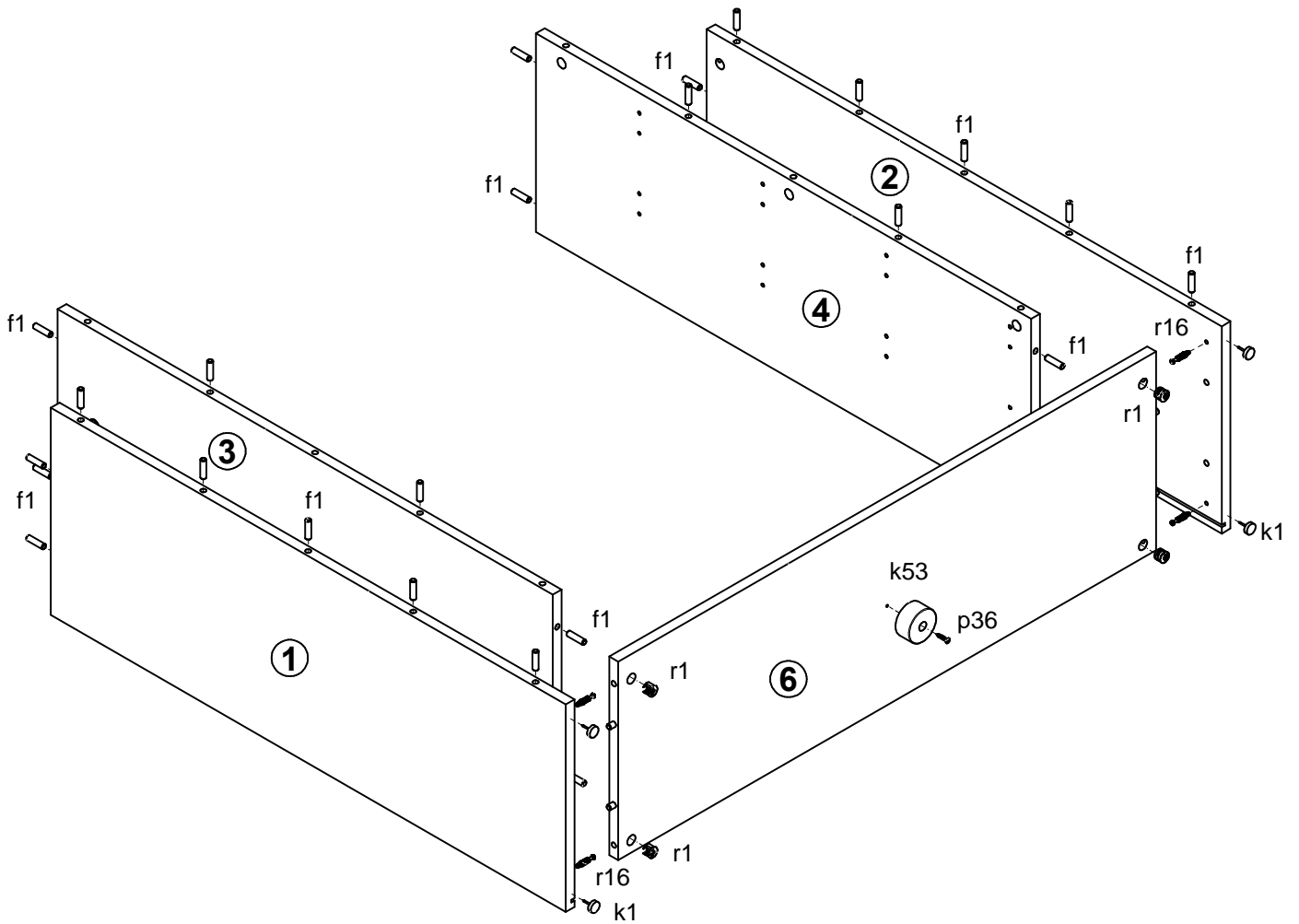


A	B	C	D	
1	S126-107	942	329	1/3
2	S126-108	942	329	1/3
3	S126-109	906	315	1/3
4	S126-110	906	315	1/3
5	S126-208	1017	351	2/3
6	S126-312	984	315	1/3
7	S126-501	300	160	2/3
8	S126-502	300	160	2/3
9	S126-507	819	146	2/3
10	S126-575	960	80	2/3
11	S126-909	829	306	1/3
12	S126-9906	924	995	2/3

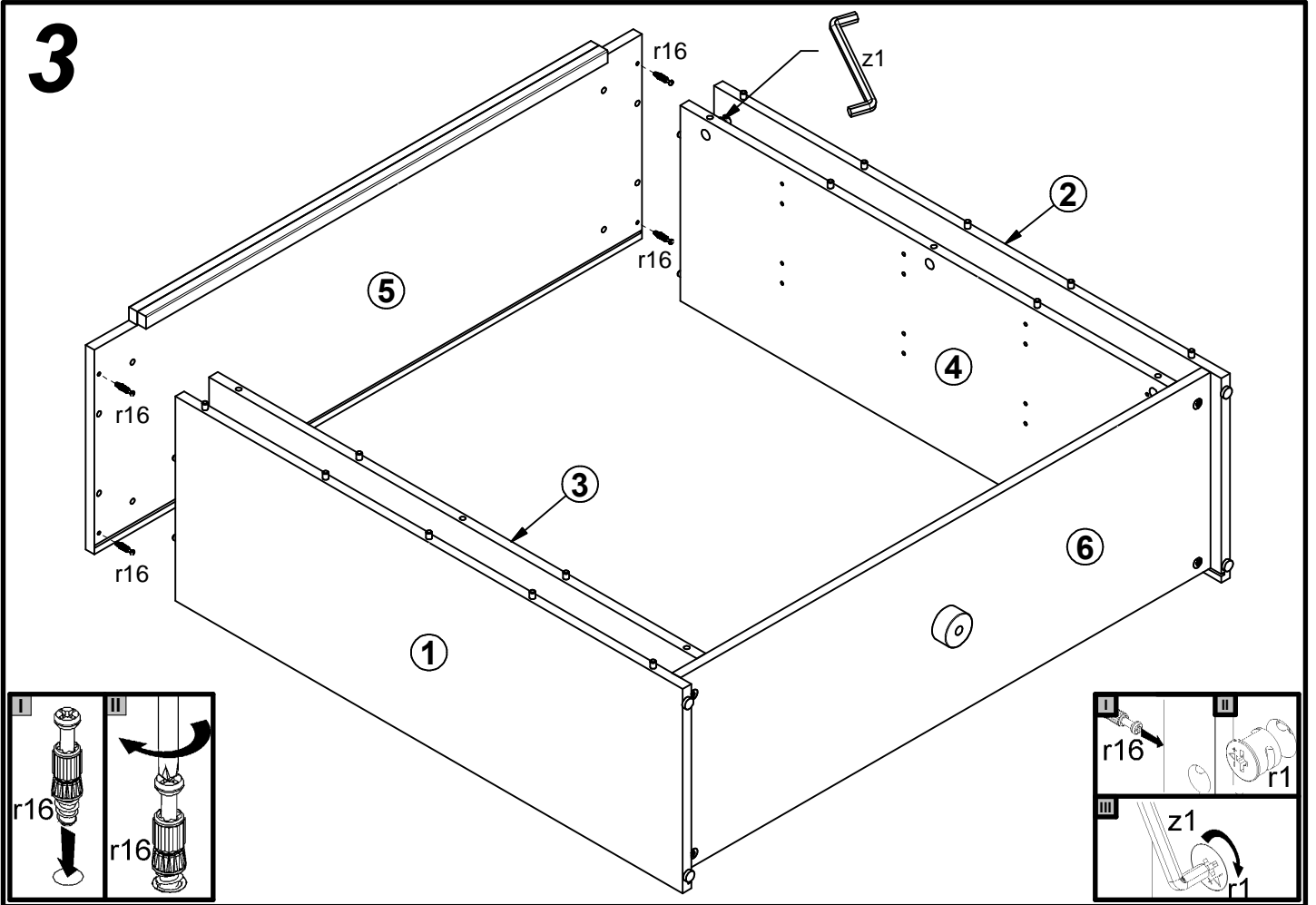


32x φ6x13 mm e3	30x φ8x30 mm f1	16x φ6.5x40 mm f25	4x k1	1x k53	25x l1	4x φ3.5x16 mm p25	4x φ3.5x10 mm p35	24x φ3.5x16 mm p38
1x n26/L	1x φ3.5x16 mm p38	14x φ1.5x12mm #16 r1	16x φ12x10.5mm #12 r15	30x r16	4x 300 mm t25	4x 300 mm w79/L	4x 300 mm w79/P	1x φ4x25 mm p36
1x z1	10x l2							

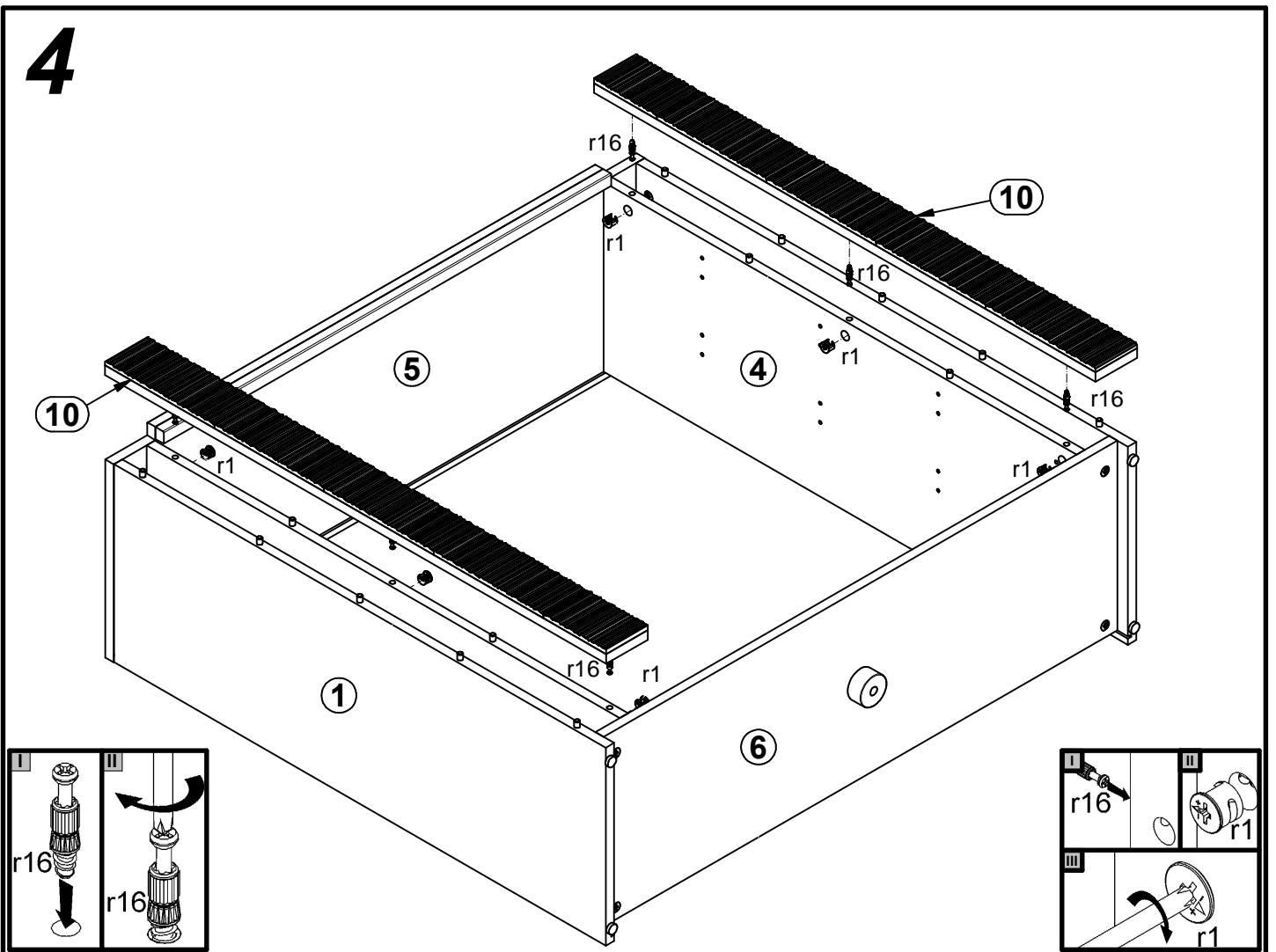
# 1

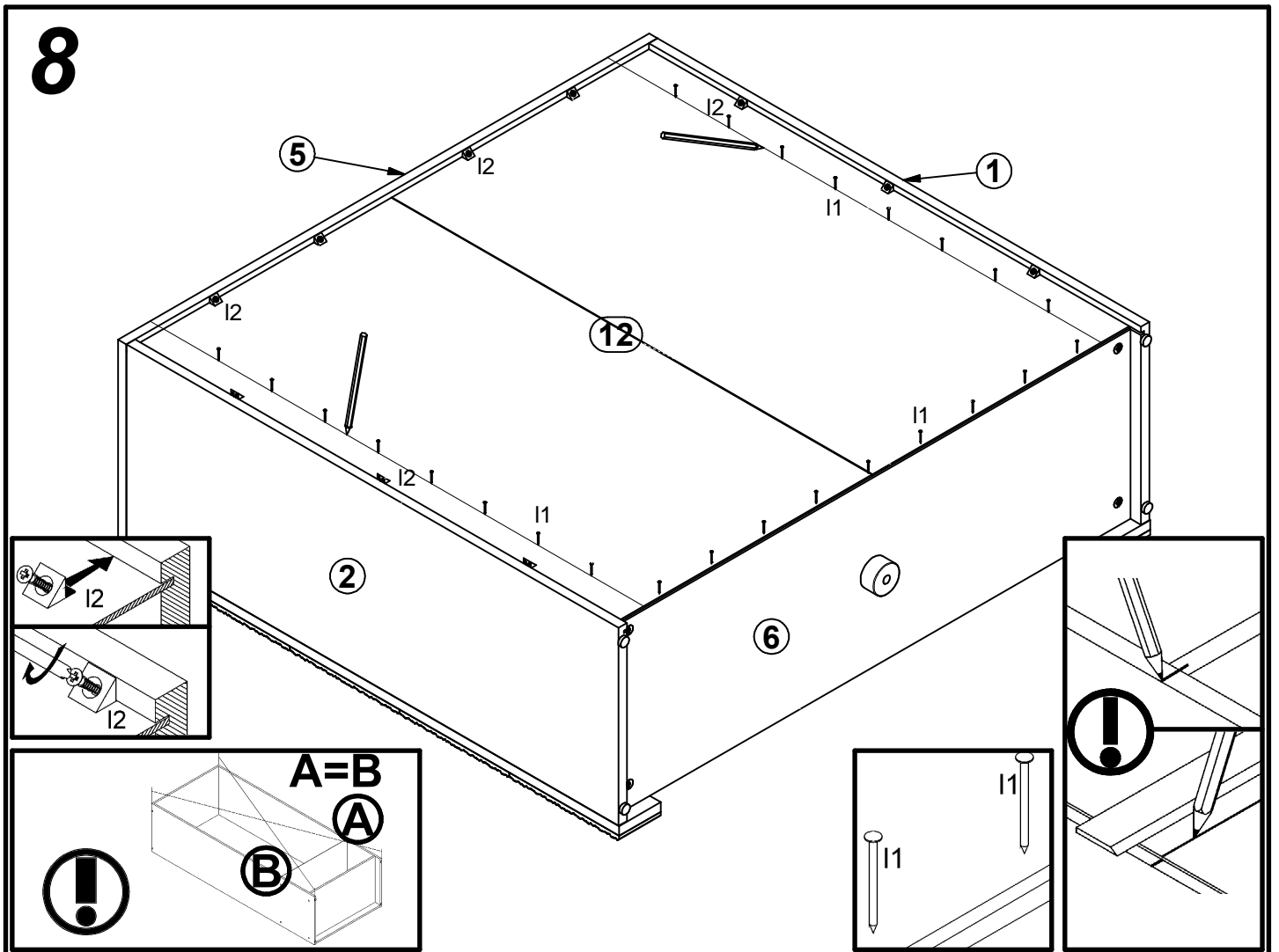
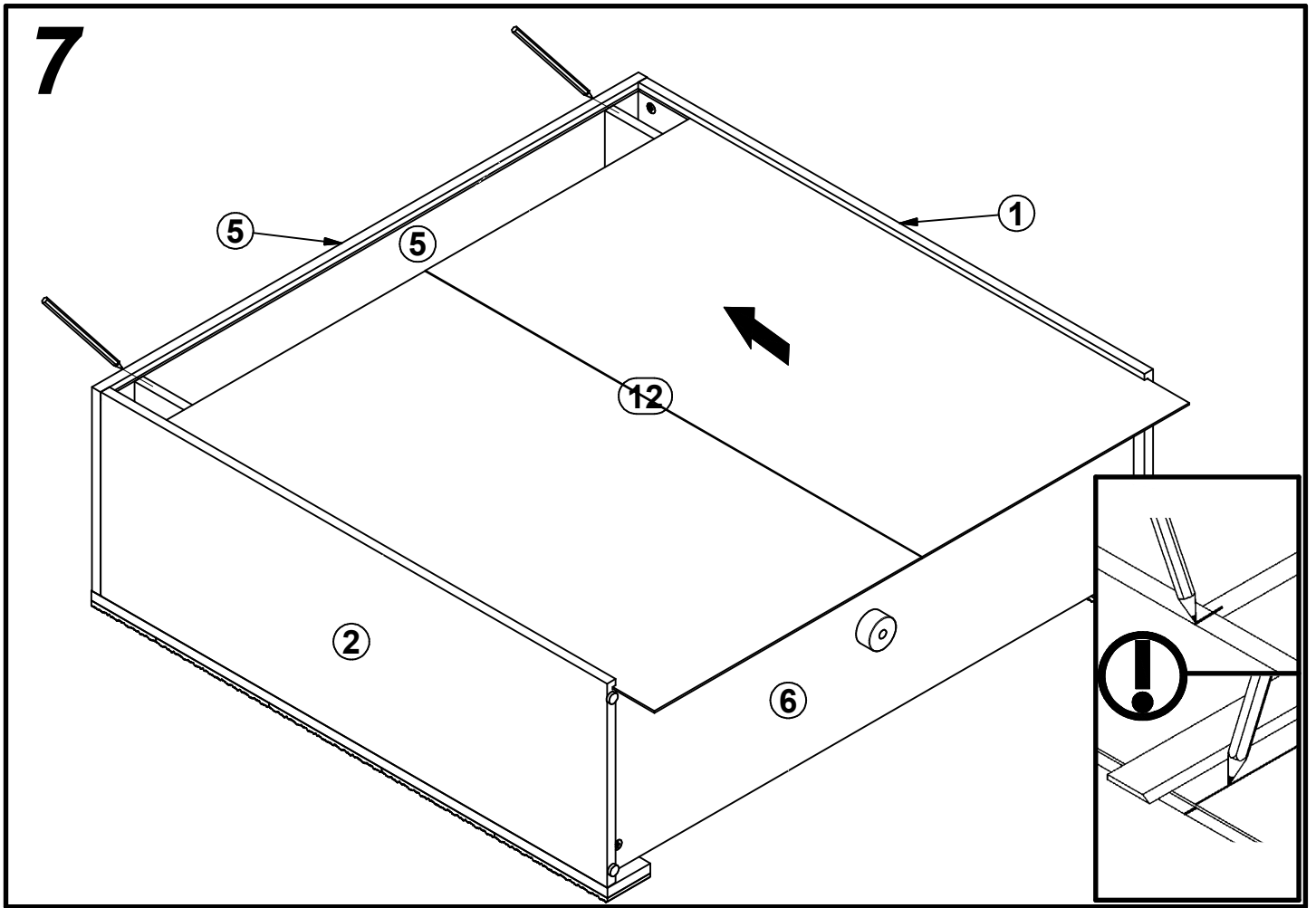


# 3

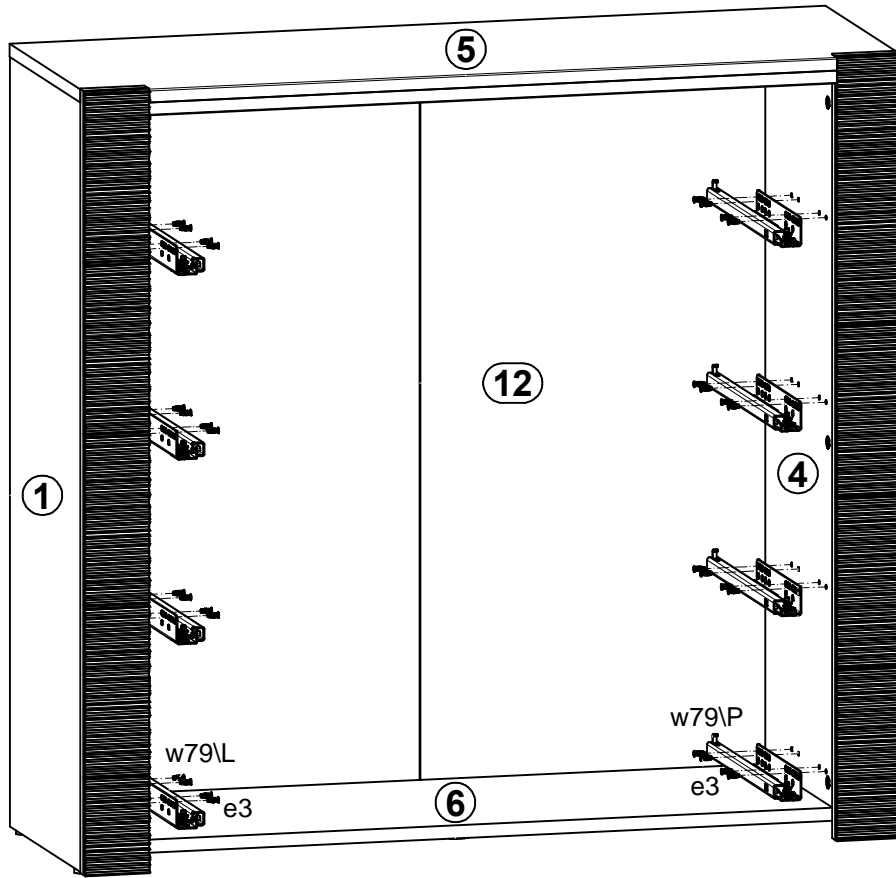


# 4





**9** 



**10**

