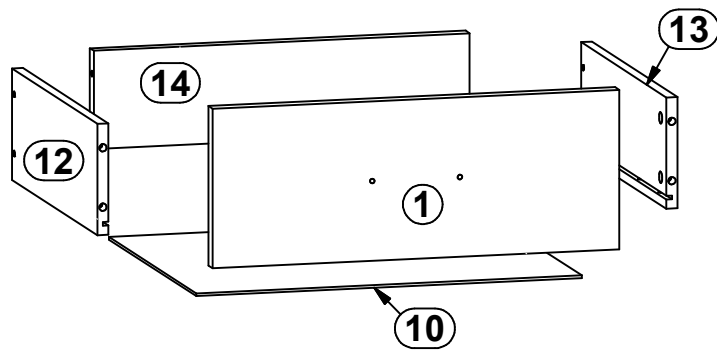
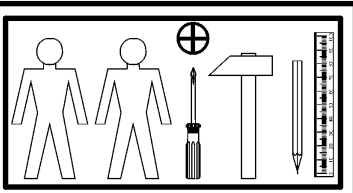
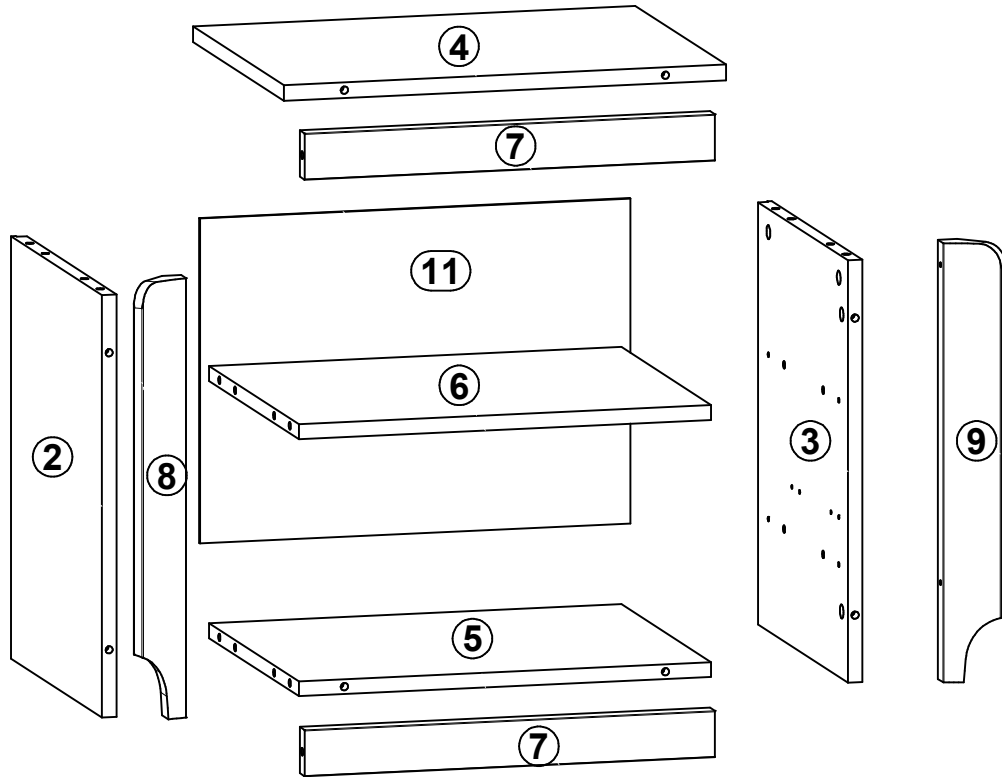


ALEVEL

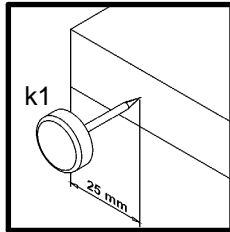
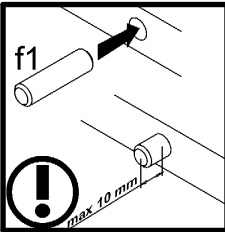
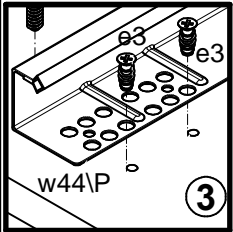
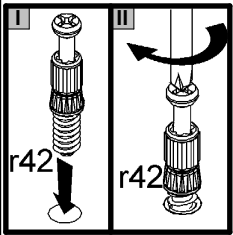
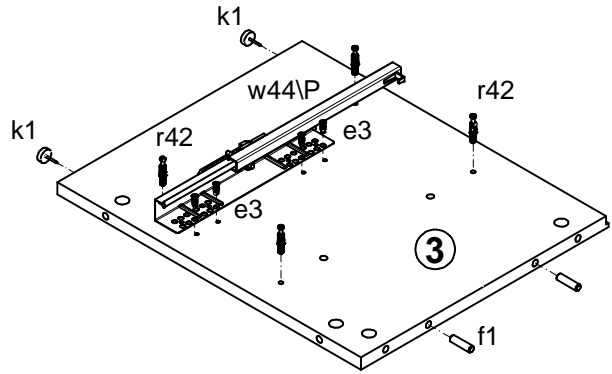
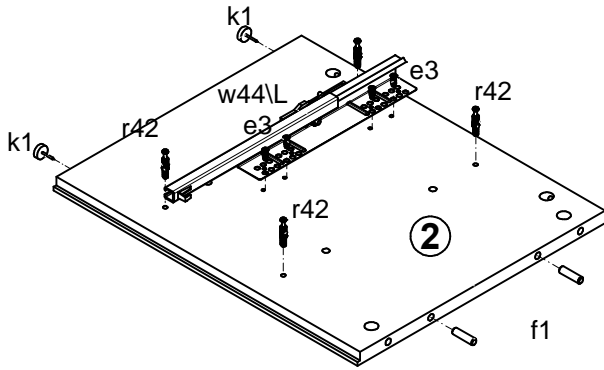
S113-KOM1S/50

A	B	C		D	A	B	C		D
1	S113-007	446	172	3/3	8	S113-573	473	75	2/3
2	S113-111	455	371	1/3	9	S113-574	473	75	2/3
3	S113-112	455	371	1/3	10	S113-908	423	357	1/3
4	S113-202	485	371	1/3	11	S113-909	350	472	1/3
5	S113-309	452	367	1/3	12	ZQ1-501	350	120	1/3
6	S113-312	452	367	1/3	13	ZQ1-502	350	120	1/3
7	S113-502	450	50	2/3	14	ZQ1-513	412	106	1/3

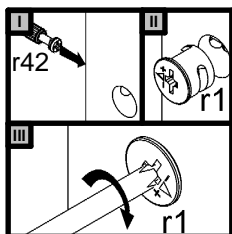
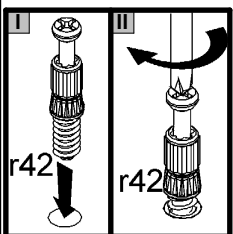
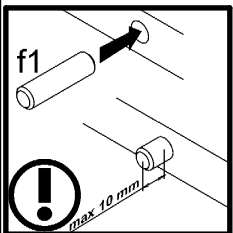
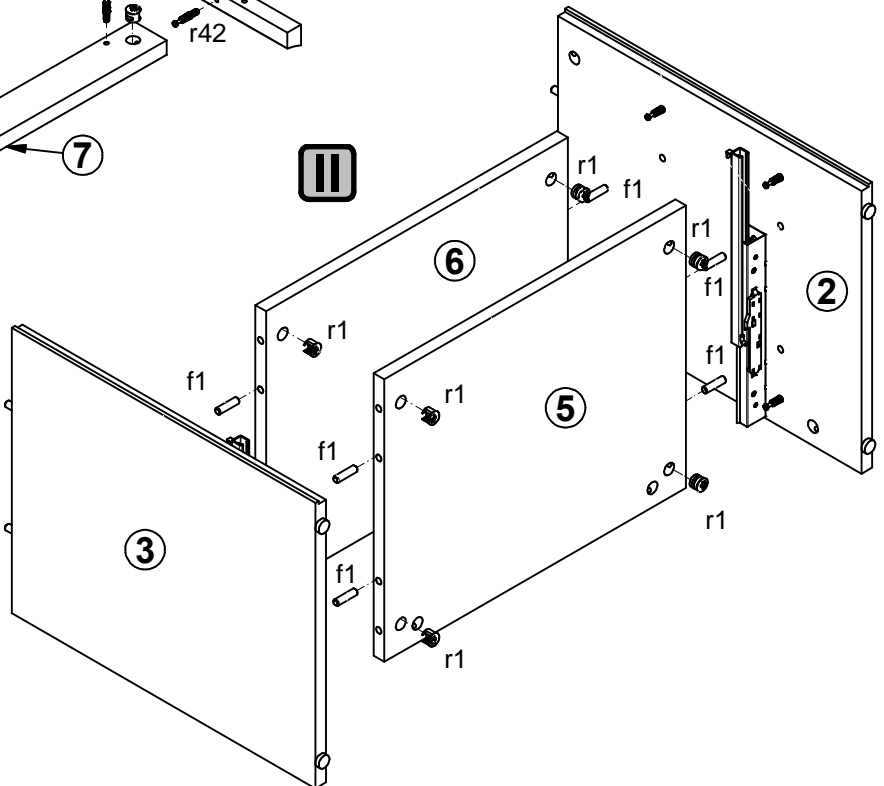
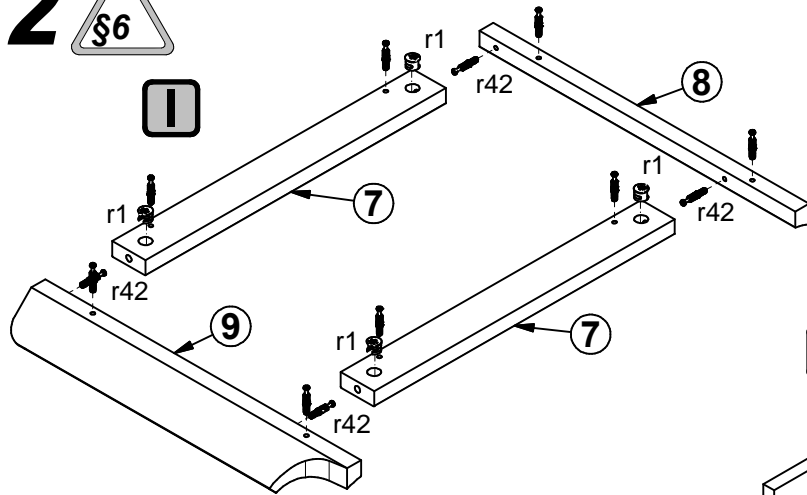


1x c305I2	8x φ6x13 mm e3	12x φ8x30 mm f1	4x φ6.5x40 mm f25	2x M4x22 mm j30	4x k1	25x l1	3x φ3.5x16 mm p38	24x φ1.5x12mm #16 r1
4x φ12x10.5mm #12 r15	28x r42	1x 350 mm w44L	1x 350 mm w44P	6x ø16 s2				

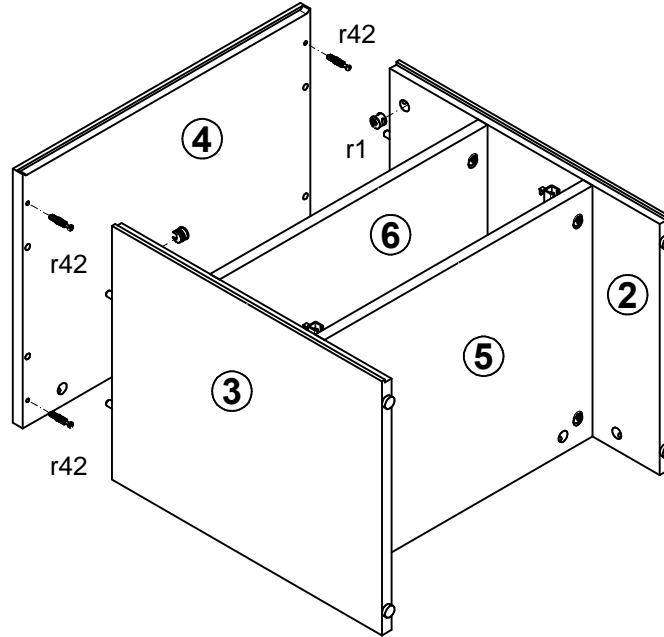
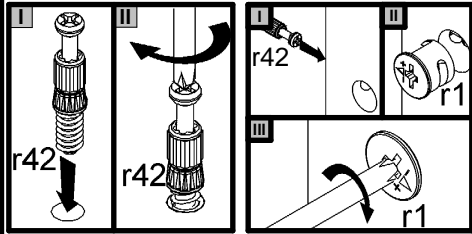
1



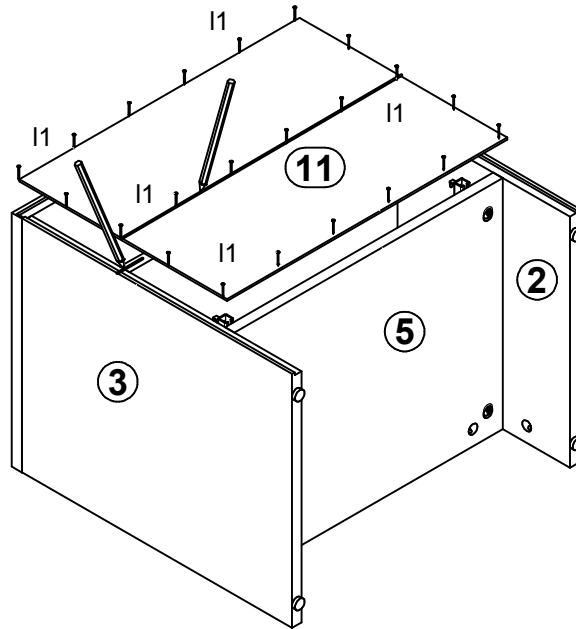
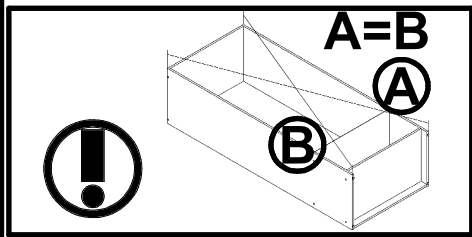
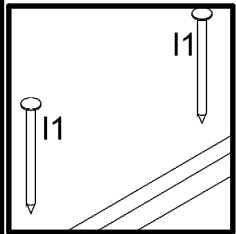
2



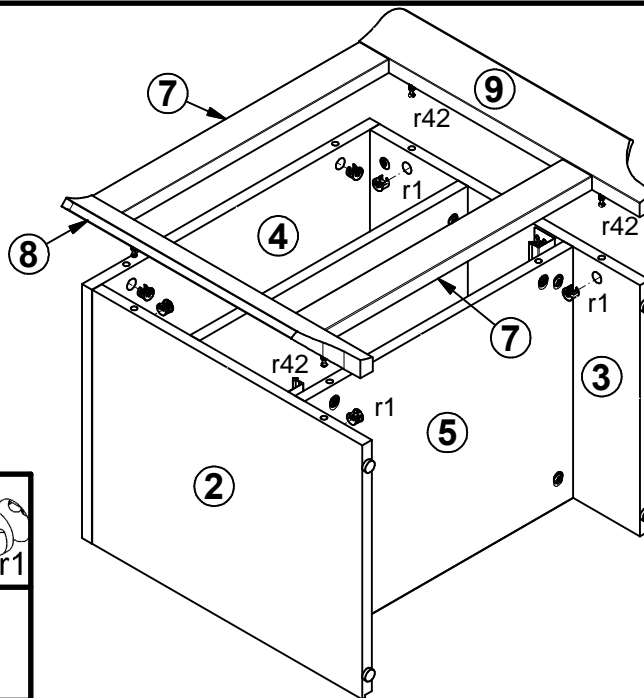
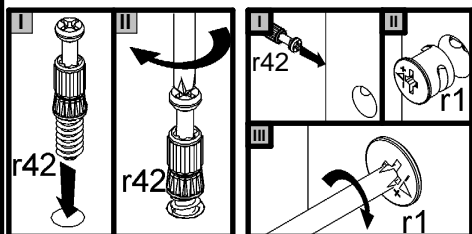
3



4

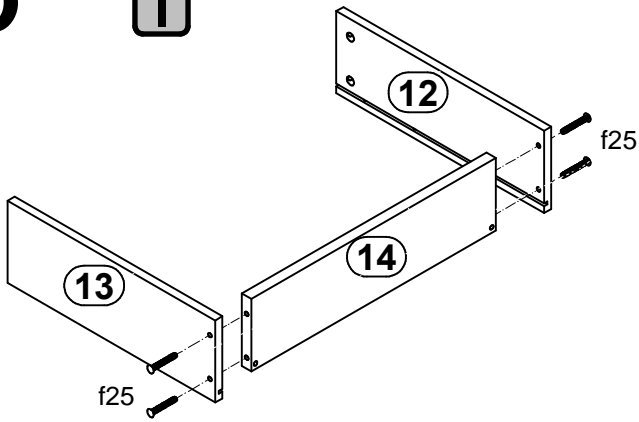


5

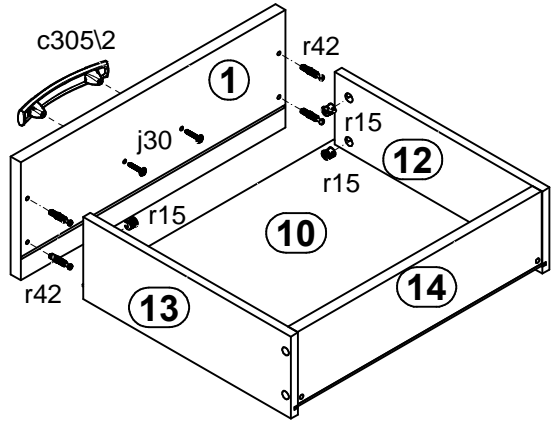


6

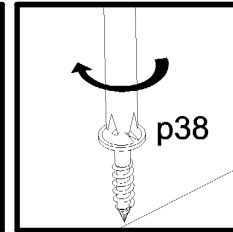
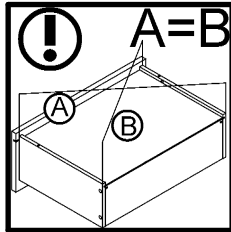
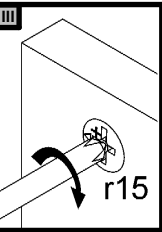
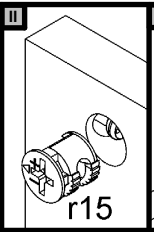
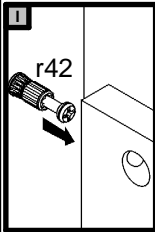
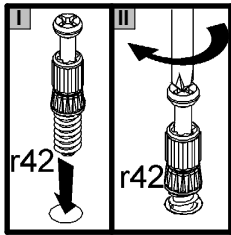
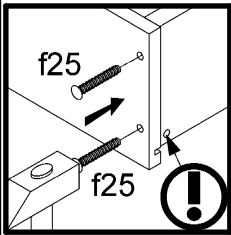
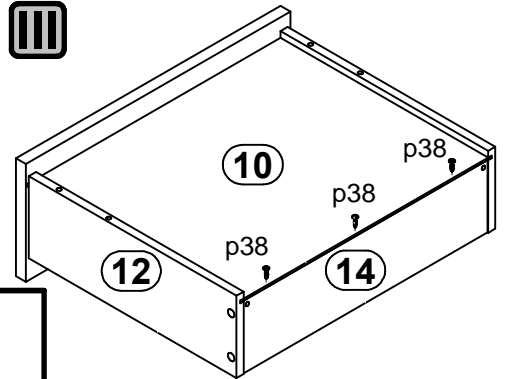
I



II



III



7

