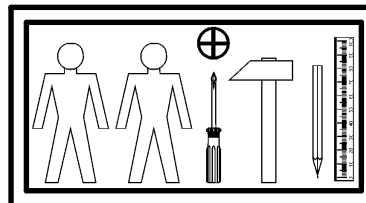
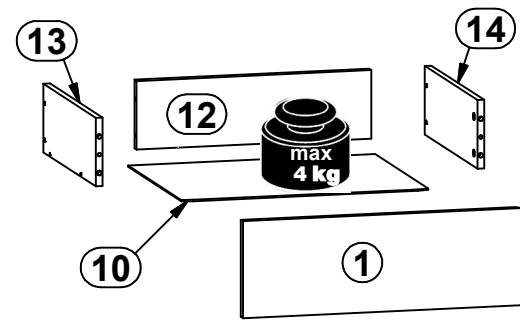
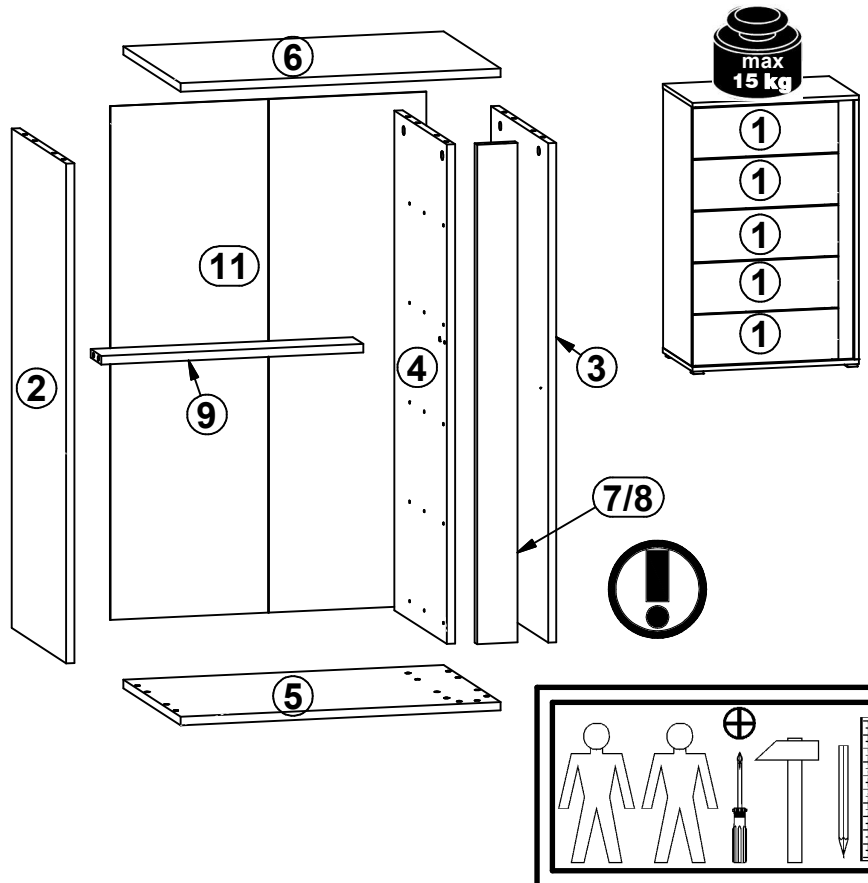
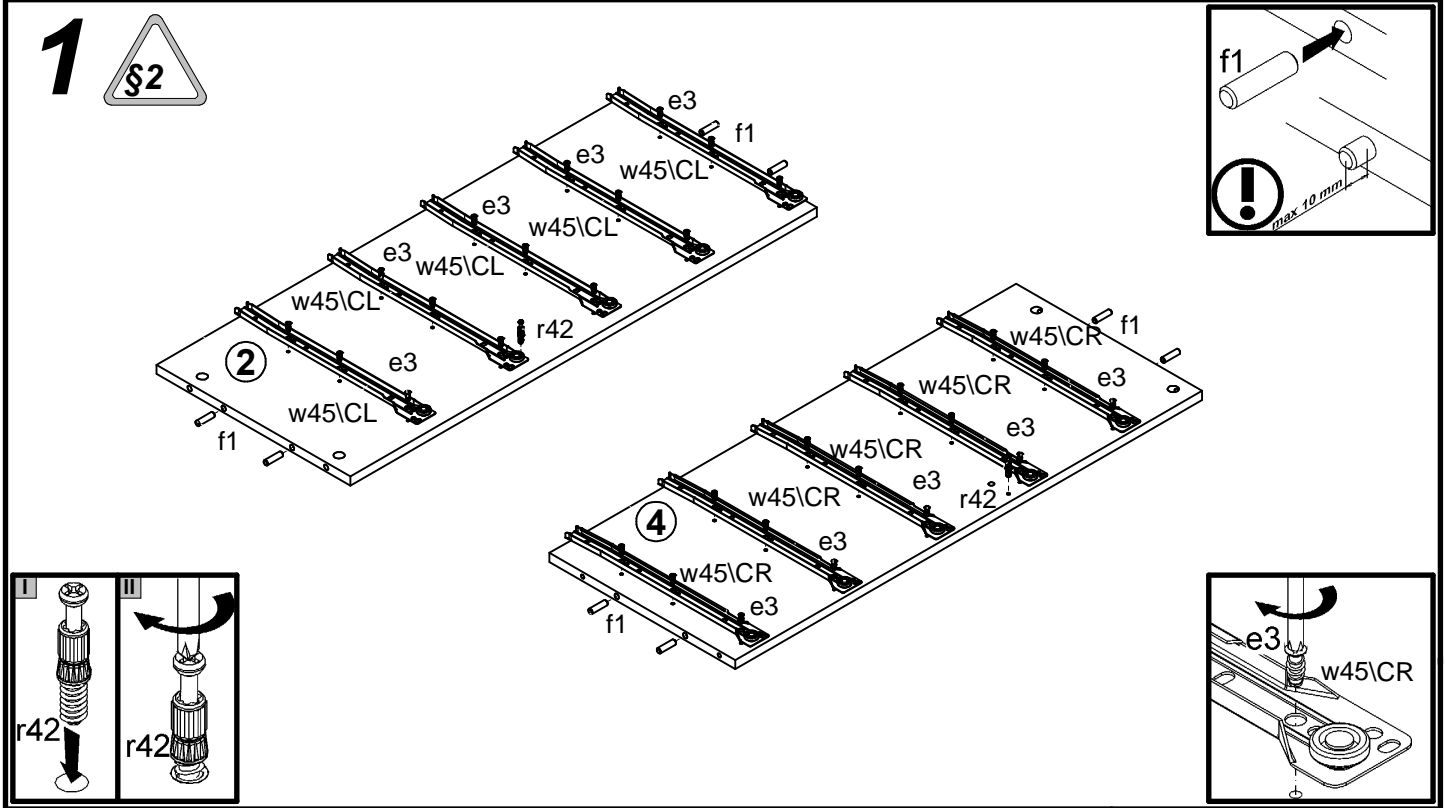


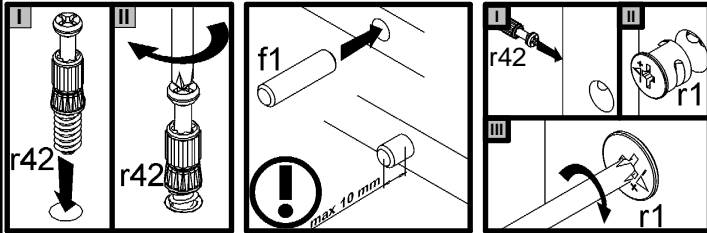
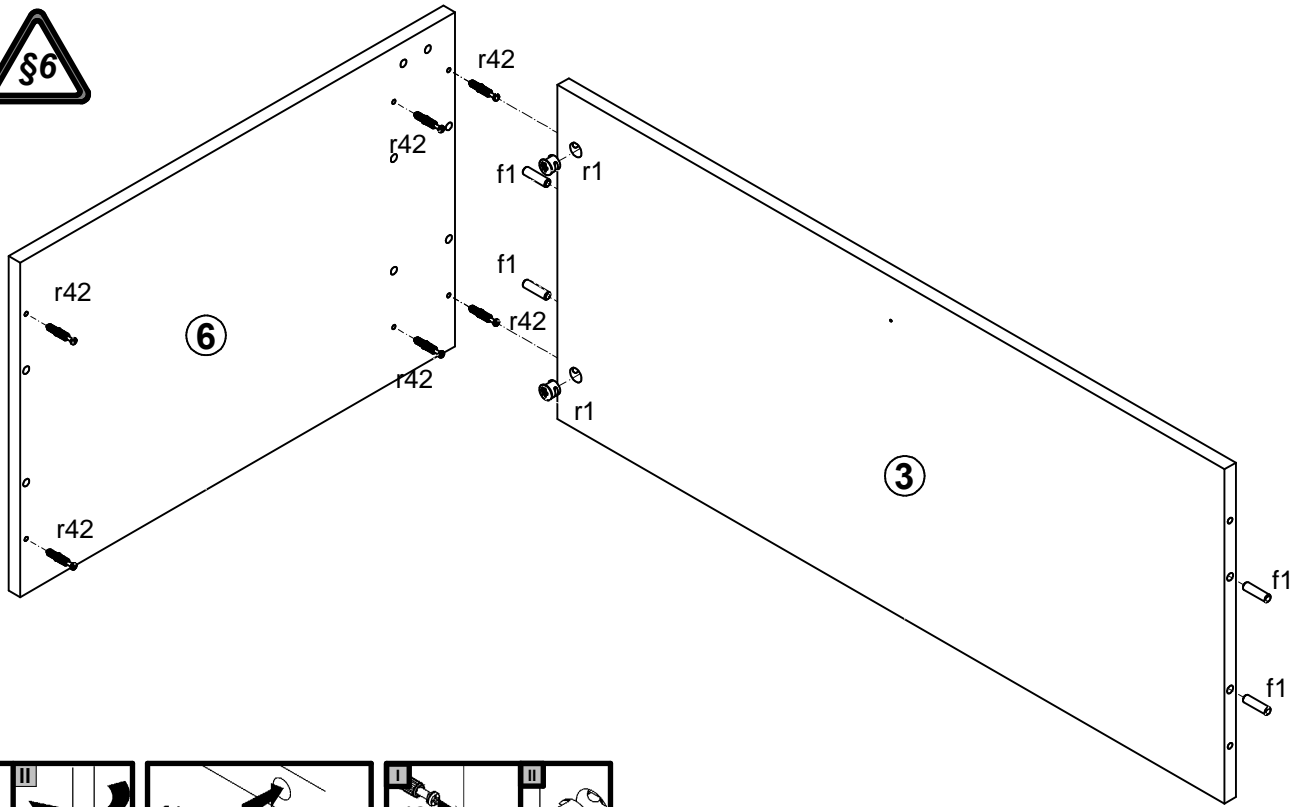
A	B	C	D	
1	S343-0061	498	170	2/2
2	S343-1033	874	363	1/2
3	S343-1034	874	380	1/2
4	S343-1035	874	348	1/2
5	S343-2019	570	380	1/2
6	S343-2025	570	380	1/2
7	S343-4012	874	72	1/2
8	S343-4015	874	72	1/2
9	S343-4042	467	70	1/2
10	S343-9006	440	357	1/2
11	S343-9303	899	563	1/2
12	ZS3-5561	418	120	1/2
13	ZS4-501	350	120	1/2
14	ZS4-502	350	120	1/2



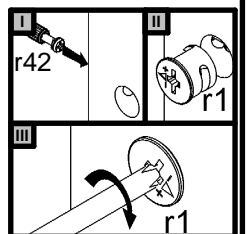
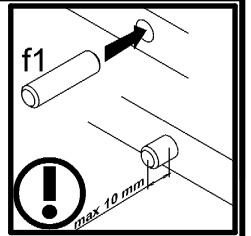
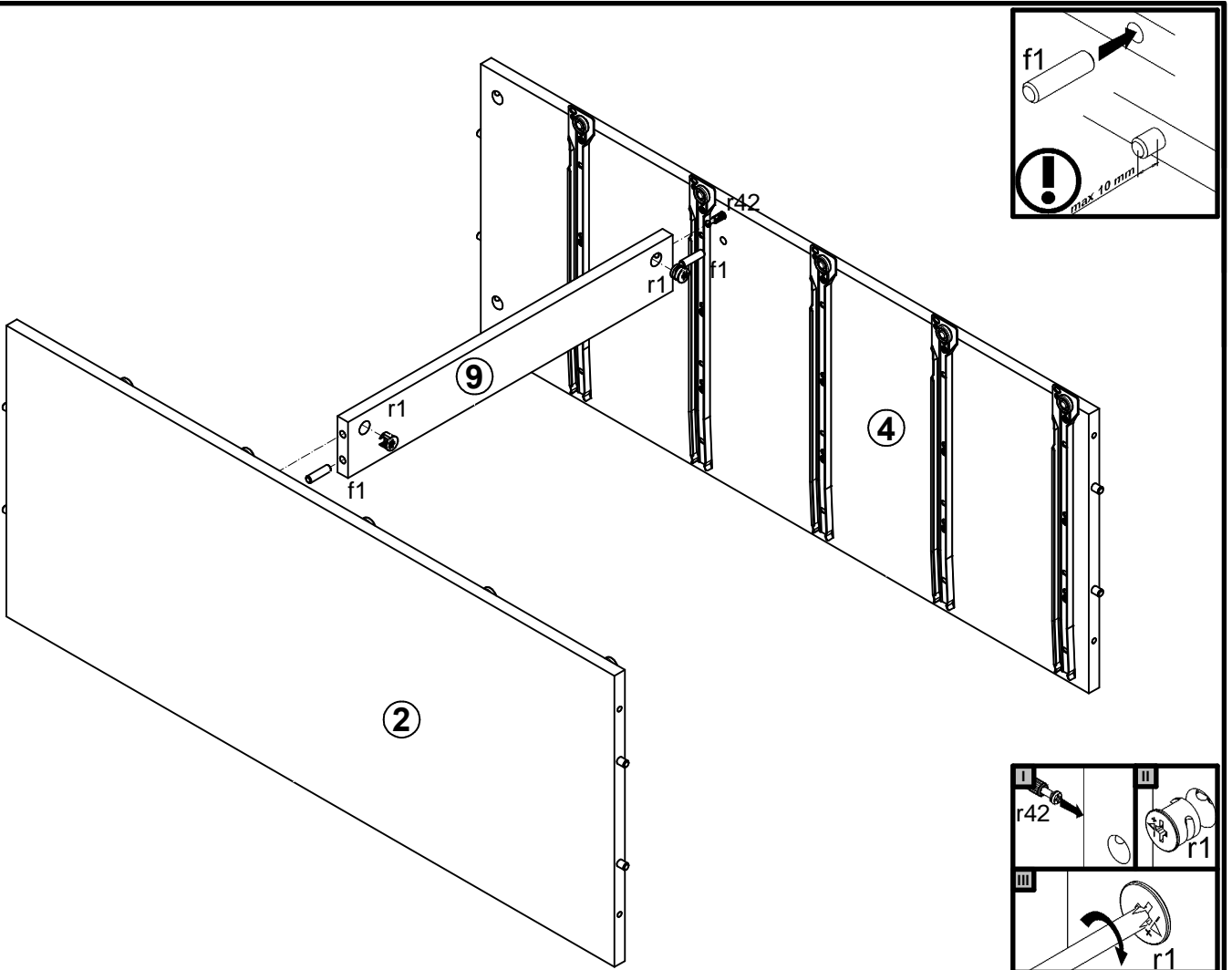
6x Ø7x50 mm e1	30x Ø6x13 mm e3	20x Ø5x9 mm e19	18x Ø8x30 mm f1	10x Ø6x30 mm f9	20x Ø6.5x40 mm f25	4x k73	40x l1	10x silikon o21
1x Ø2.5x13 mm p15	20x Ø3.5x16 mm p38	4x Ø3.5x20 mm p79	8x Ø15x12 mm #16 r1	20x Ø12x10.5 mm #12 r15	28x r42	5x 350 mm w45\CL	5x 350 mm w45\CR	5x 350 mm w45\DL
5x 350 mm w45\DR	2x Ø16 s2	1x z1					1x n26\1	1x Ø3.5x16 mm p38



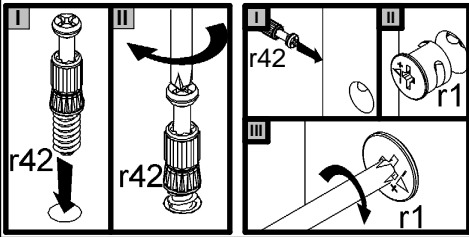
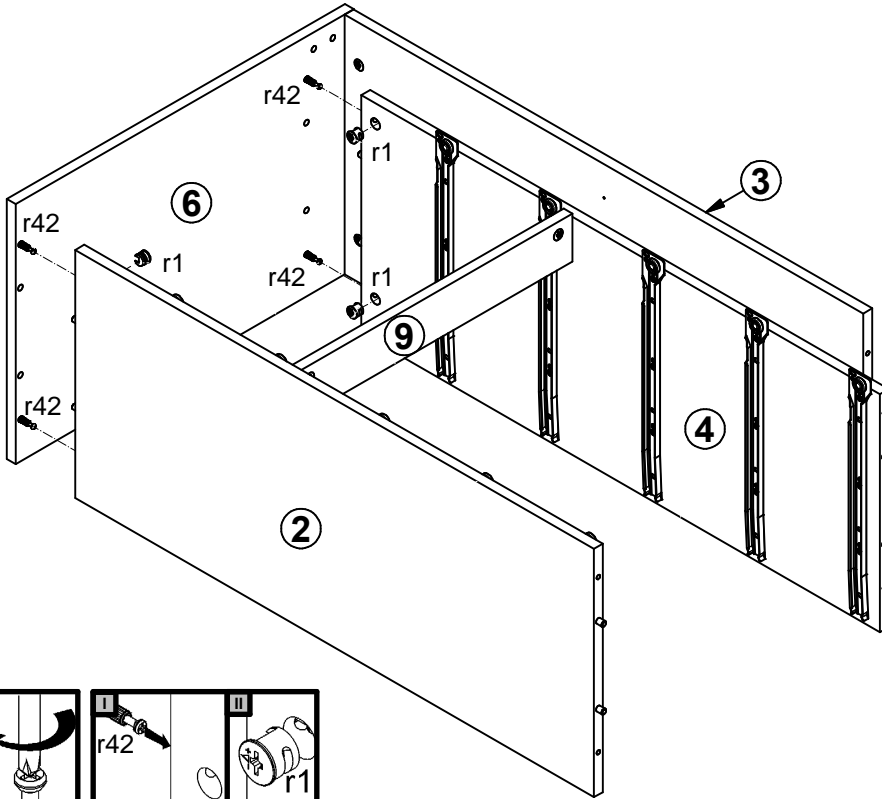
2 



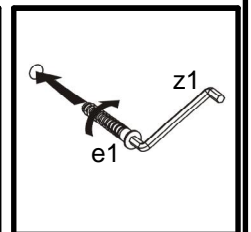
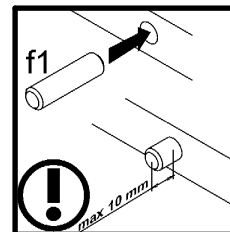
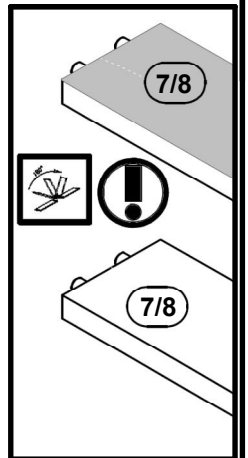
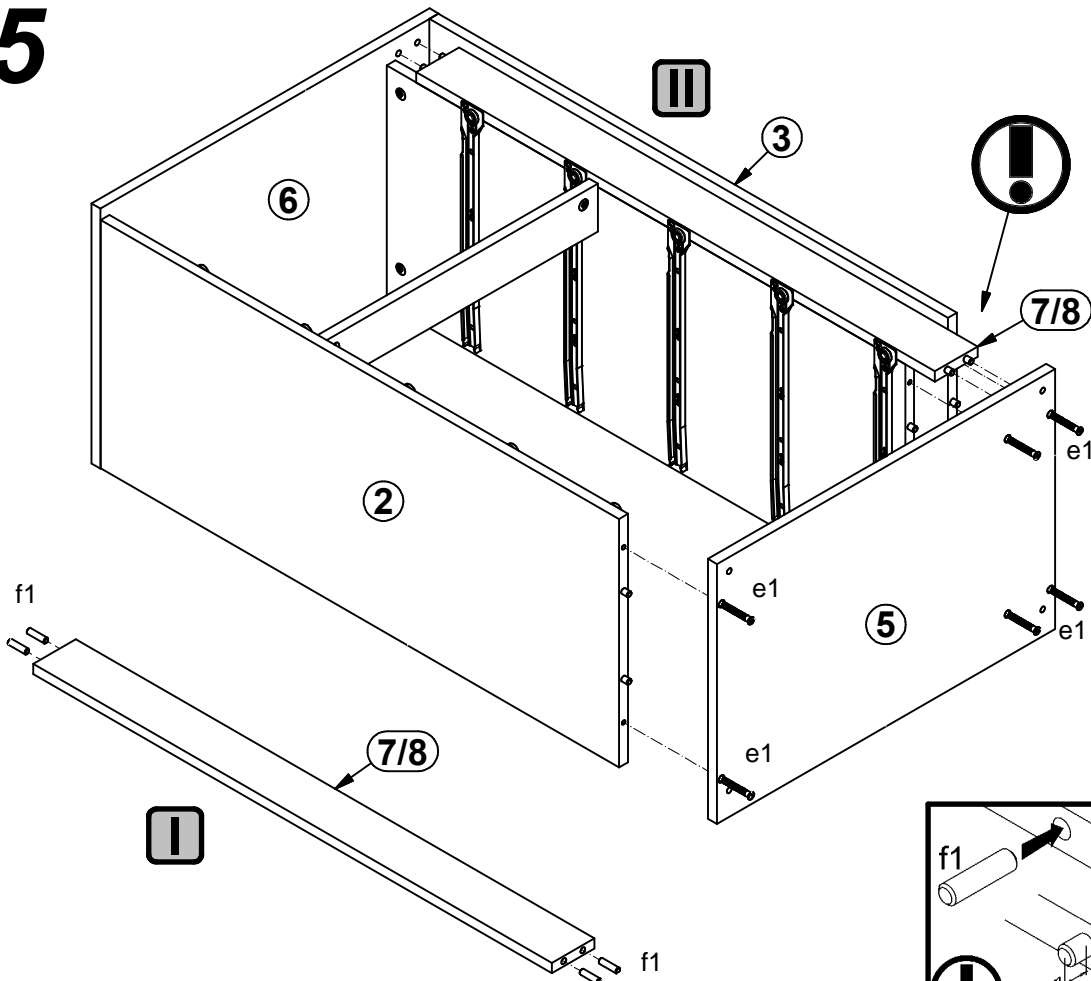
3



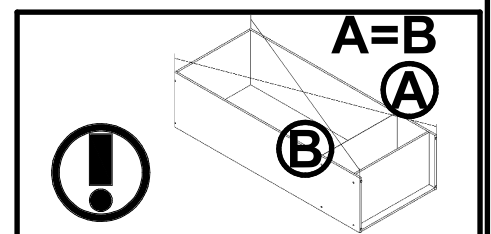
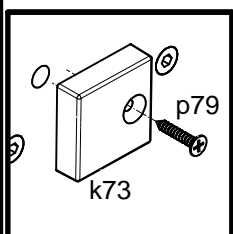
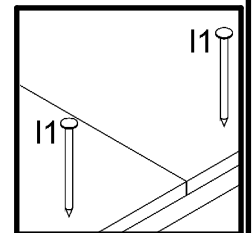
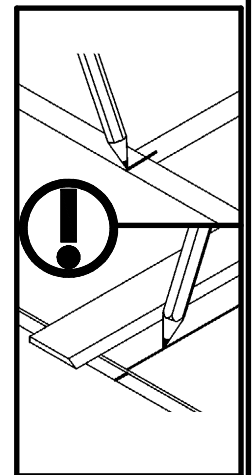
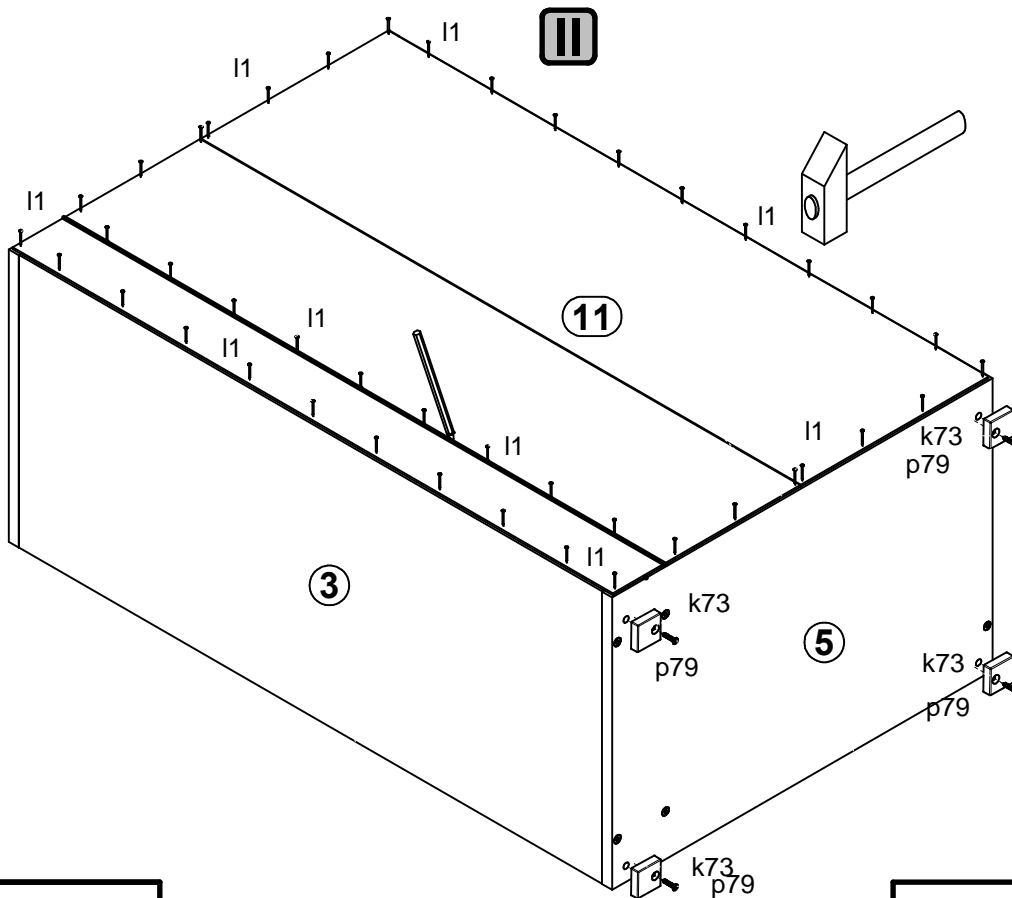
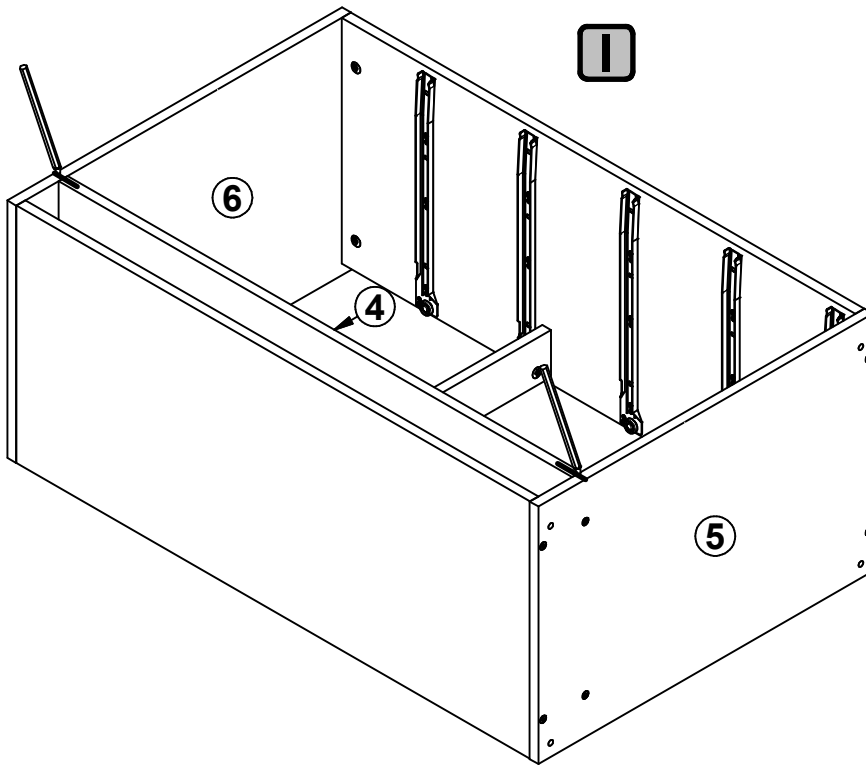
4



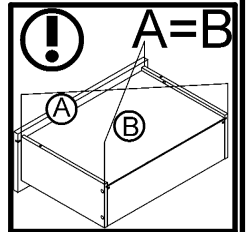
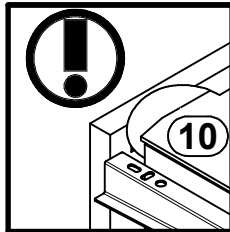
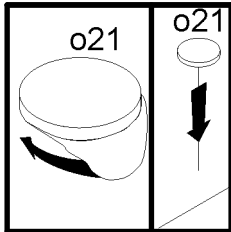
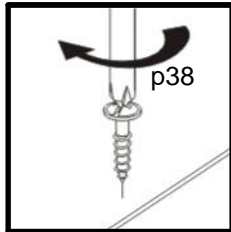
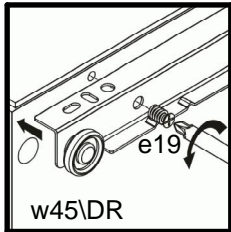
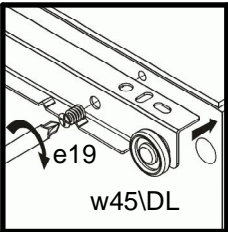
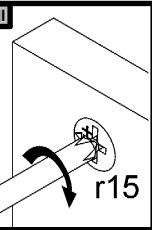
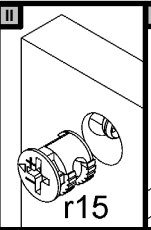
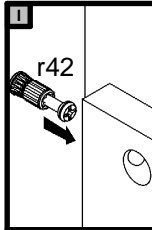
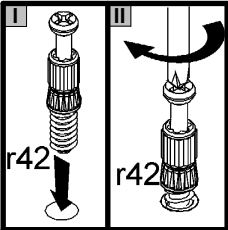
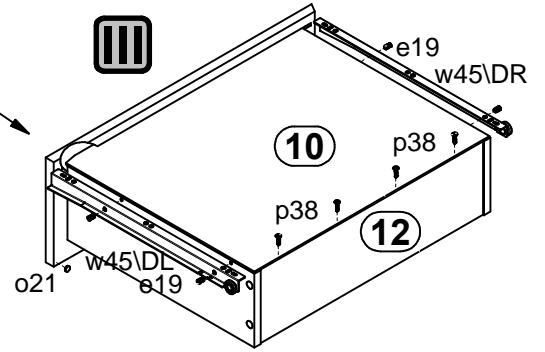
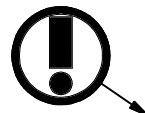
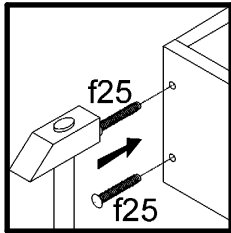
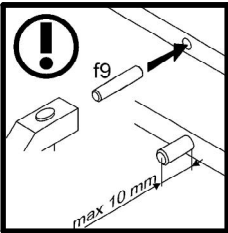
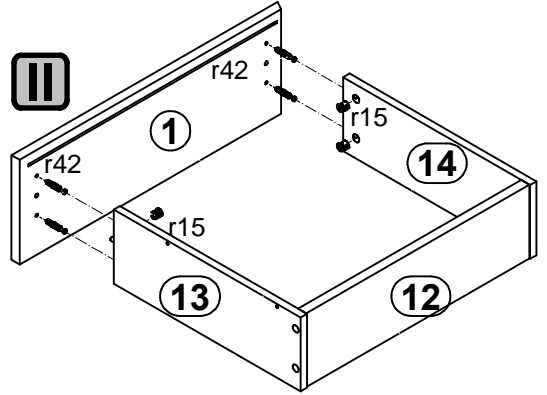
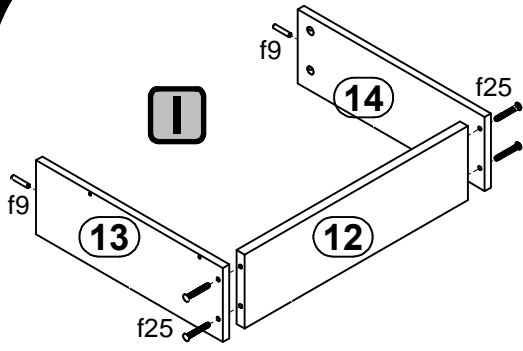
5



6



7



8

