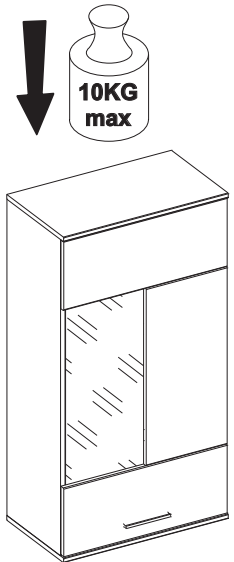
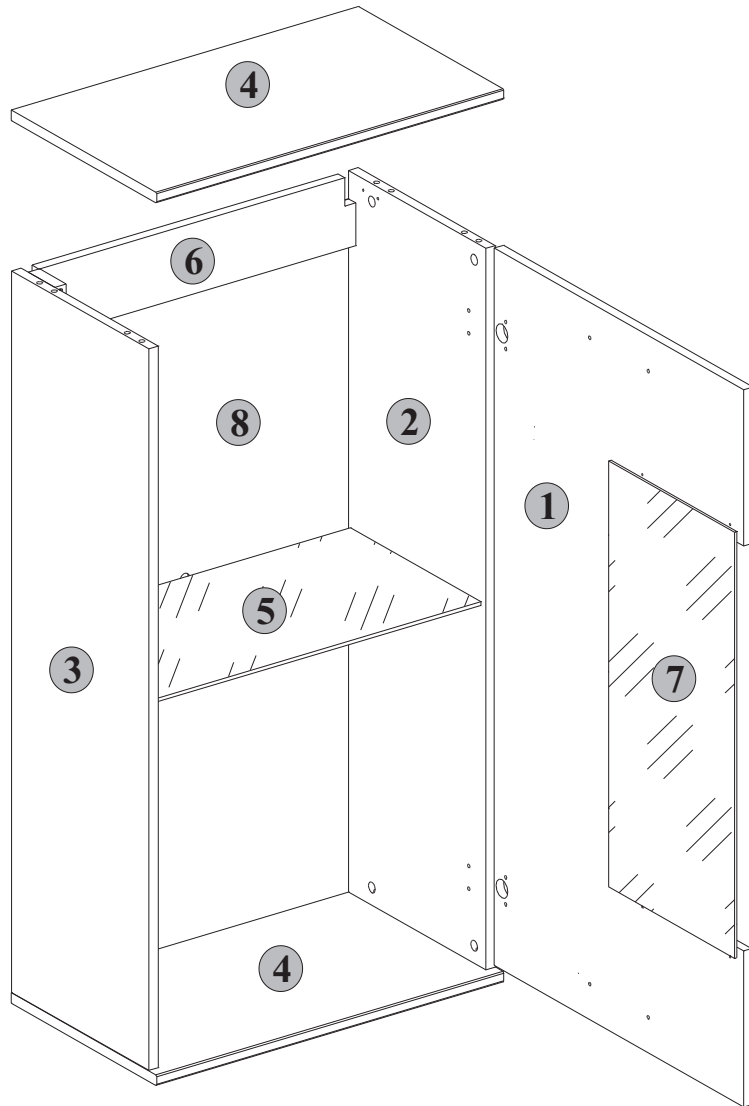


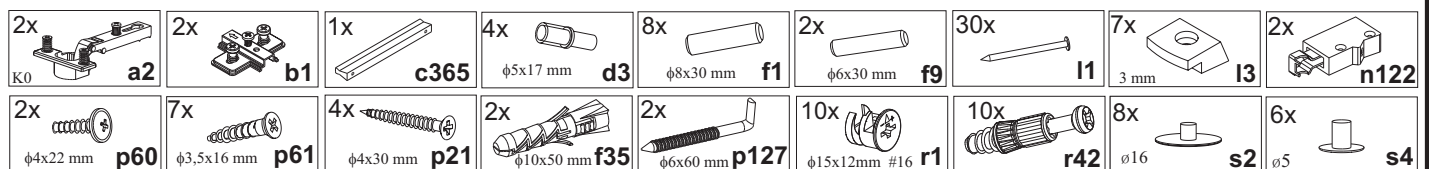
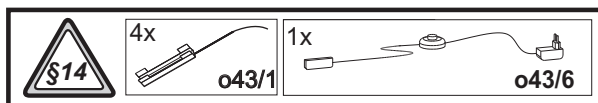
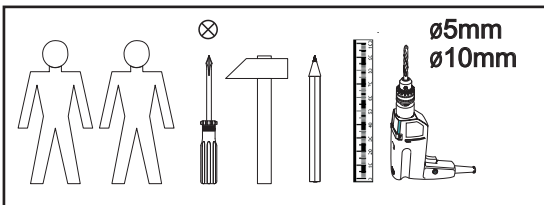
89-570
89-571

FRONTAL

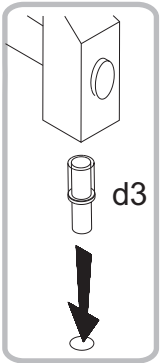
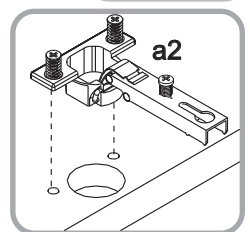
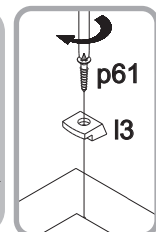
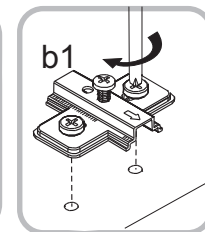
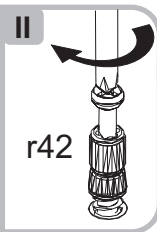
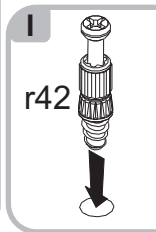
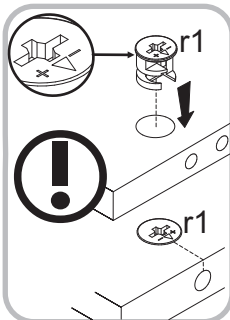
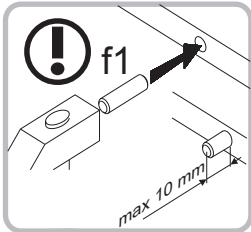
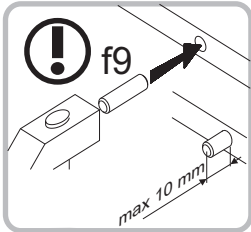
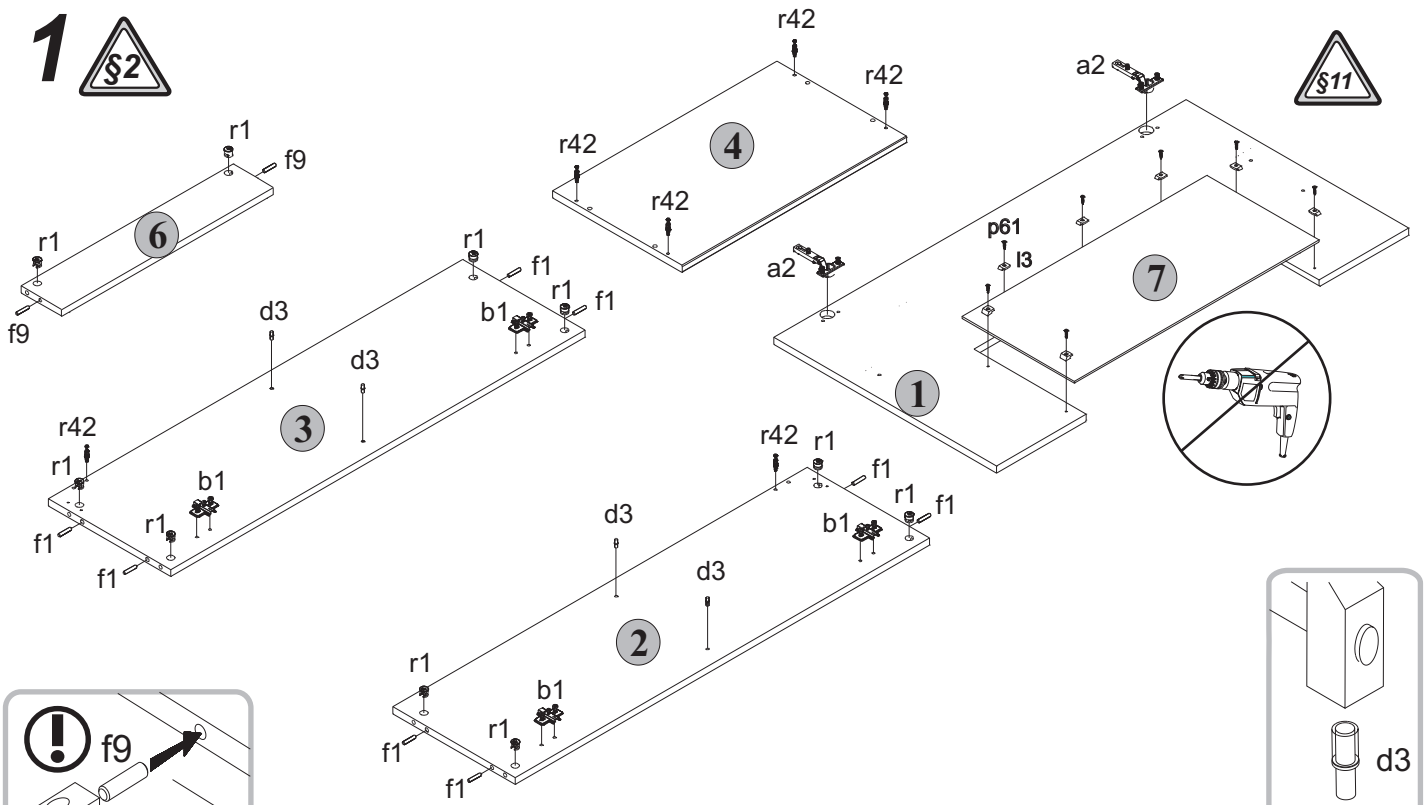
S302-SFW1W
S302-SFW1W/BO



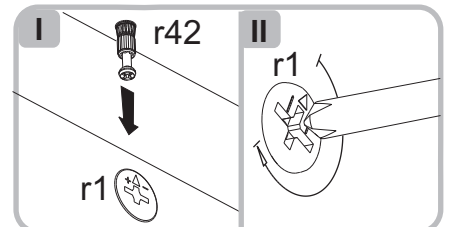
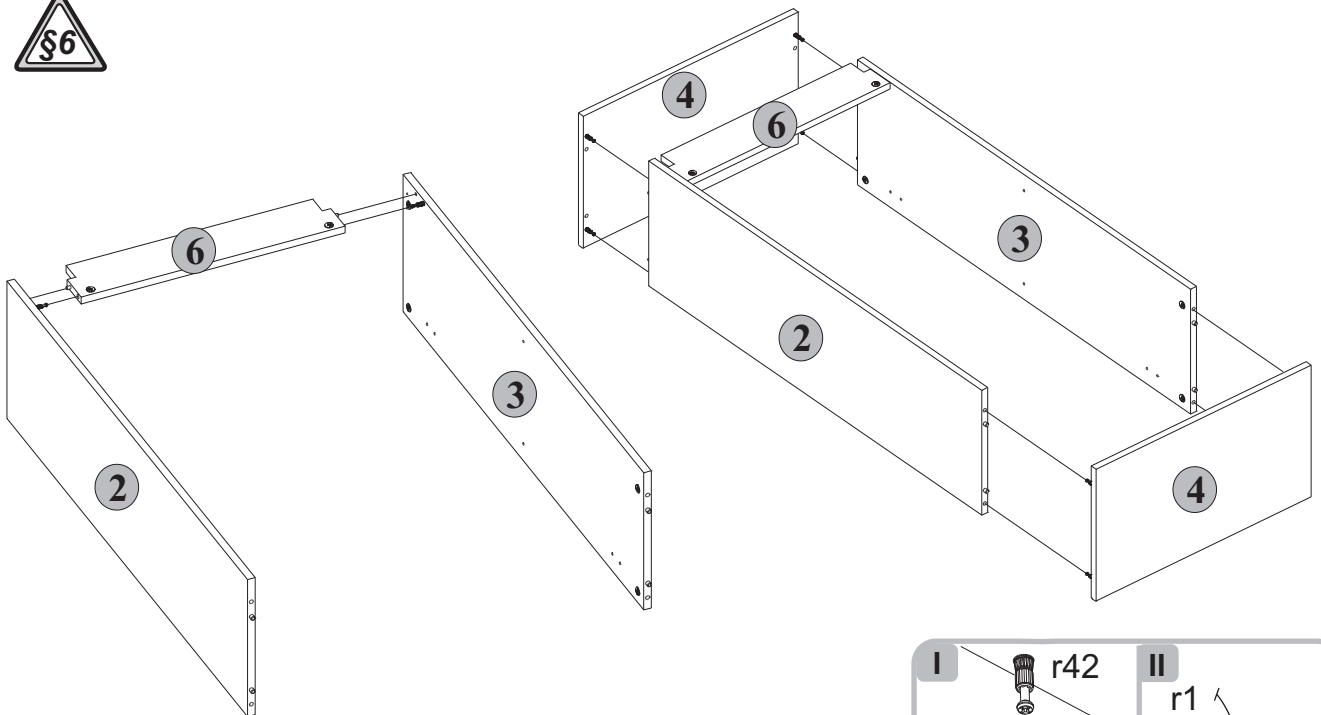
| A | B | C | D |
|---|----------|----------|---|
| 1 | S302-002 | 1010x546 | 1 |
| 2 | S302-105 | 1016x300 | 1 |
| 3 | S302-106 | 1016x300 | 1 |
| 4 | S302-204 | 550x318 | 1 |
| 5 | S302-302 | 517x285 | 1 |
| 6 | S302-401 | 519x100 | 1 |
| 7 | S302-504 | 600x275 | 1 |
| 8 | S302-902 | 988x544 | 1 |

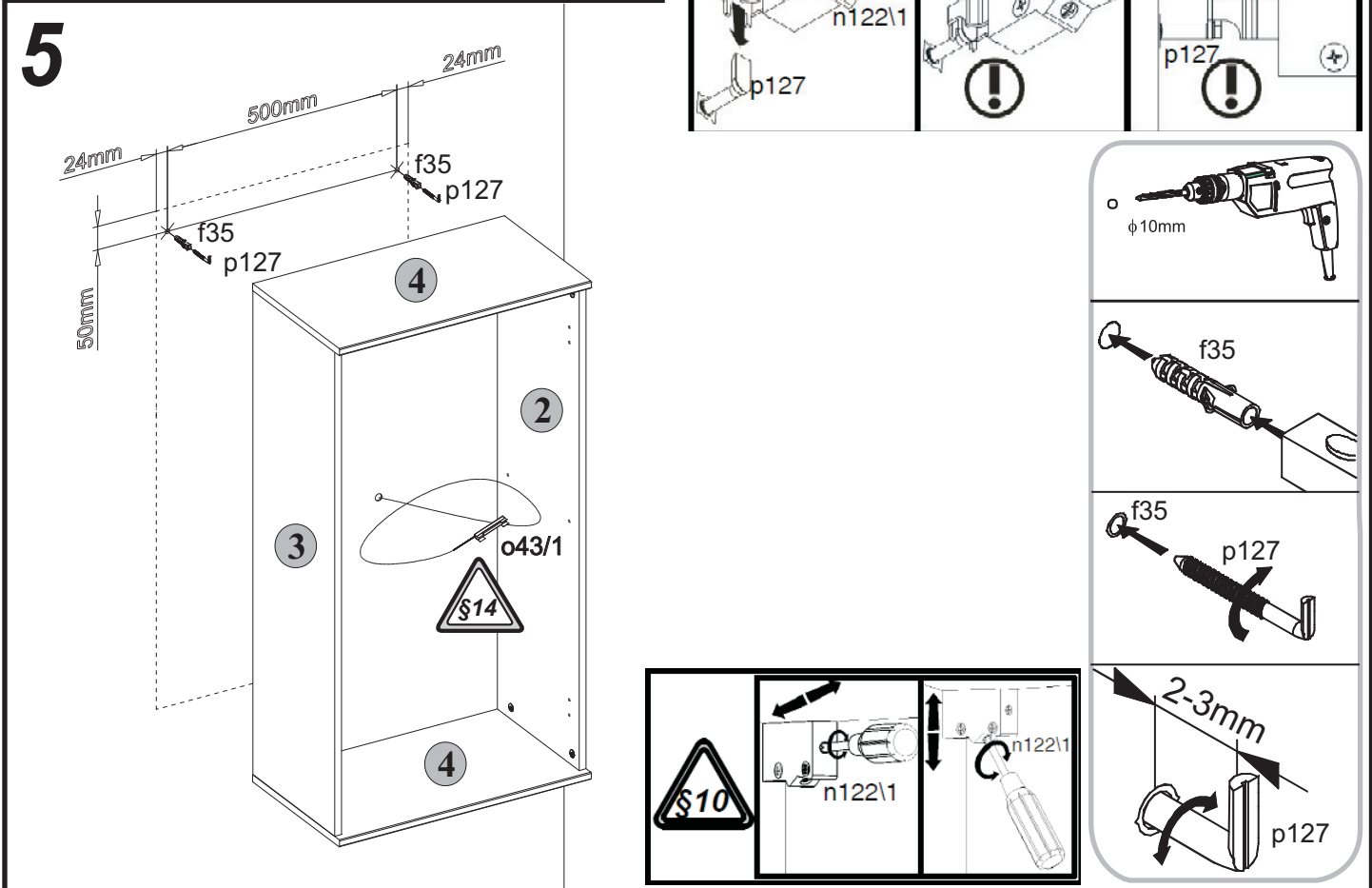
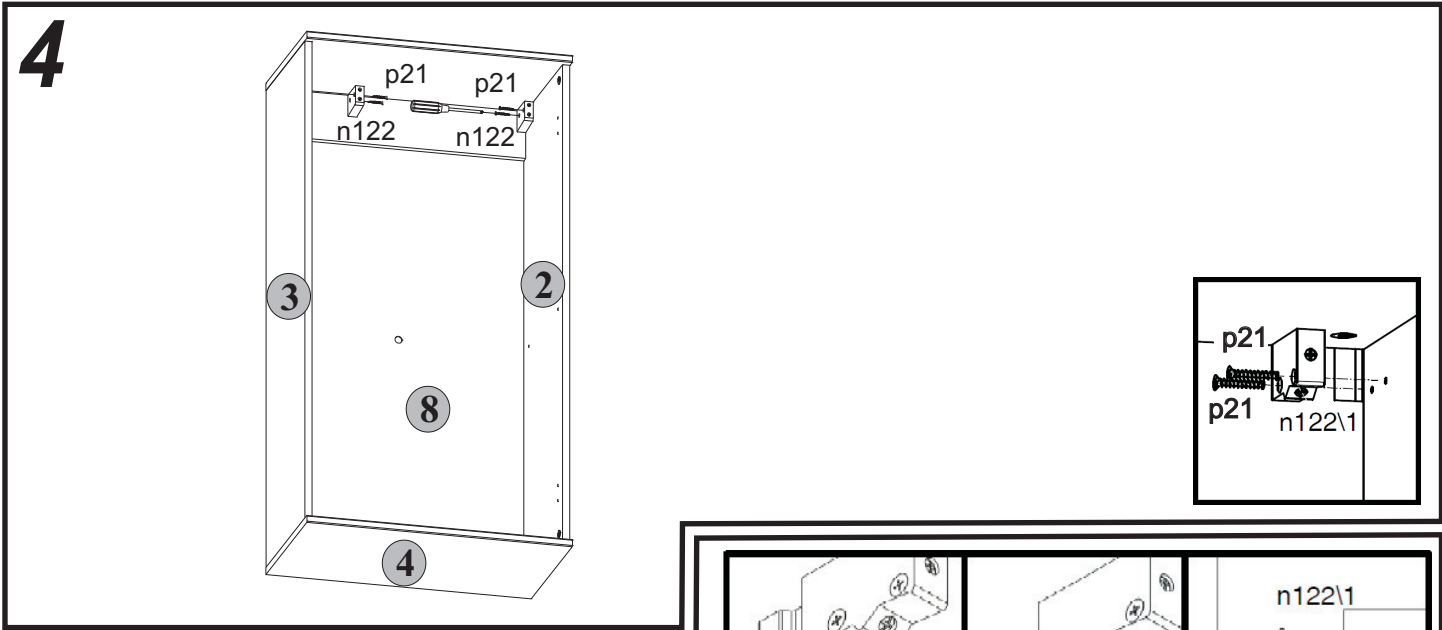
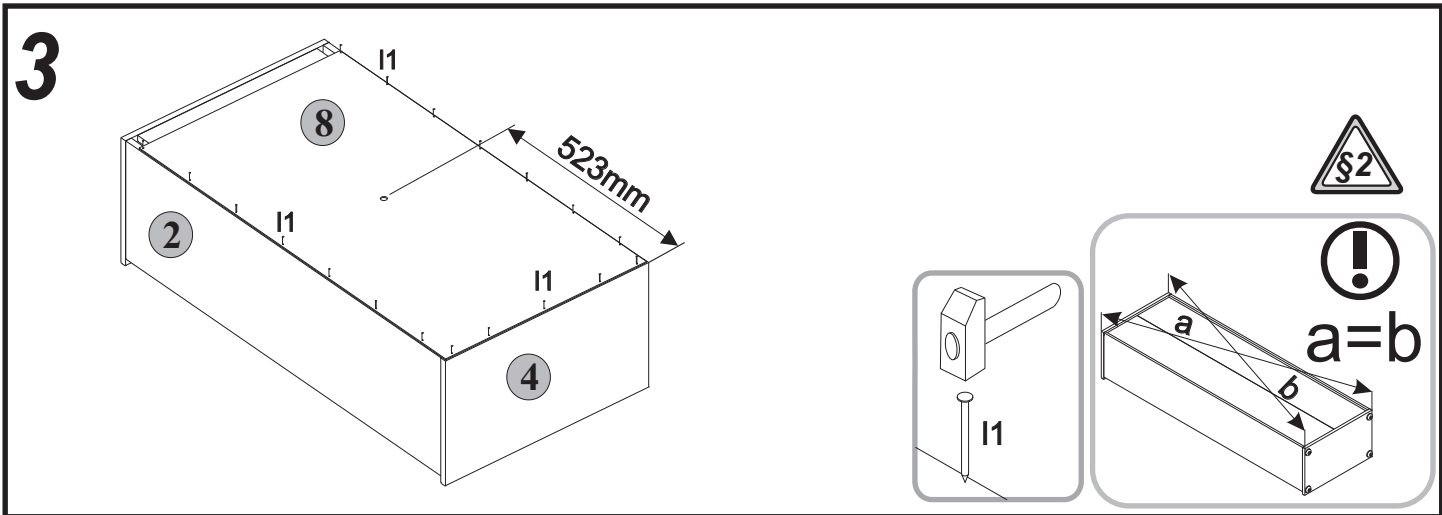


1

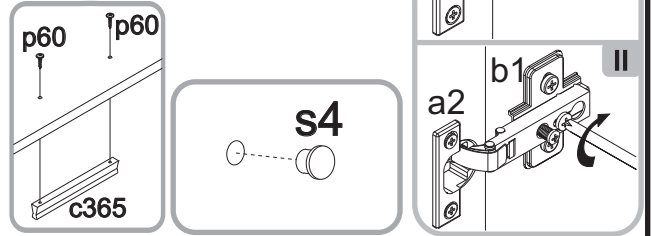
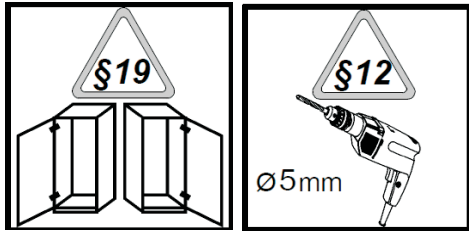
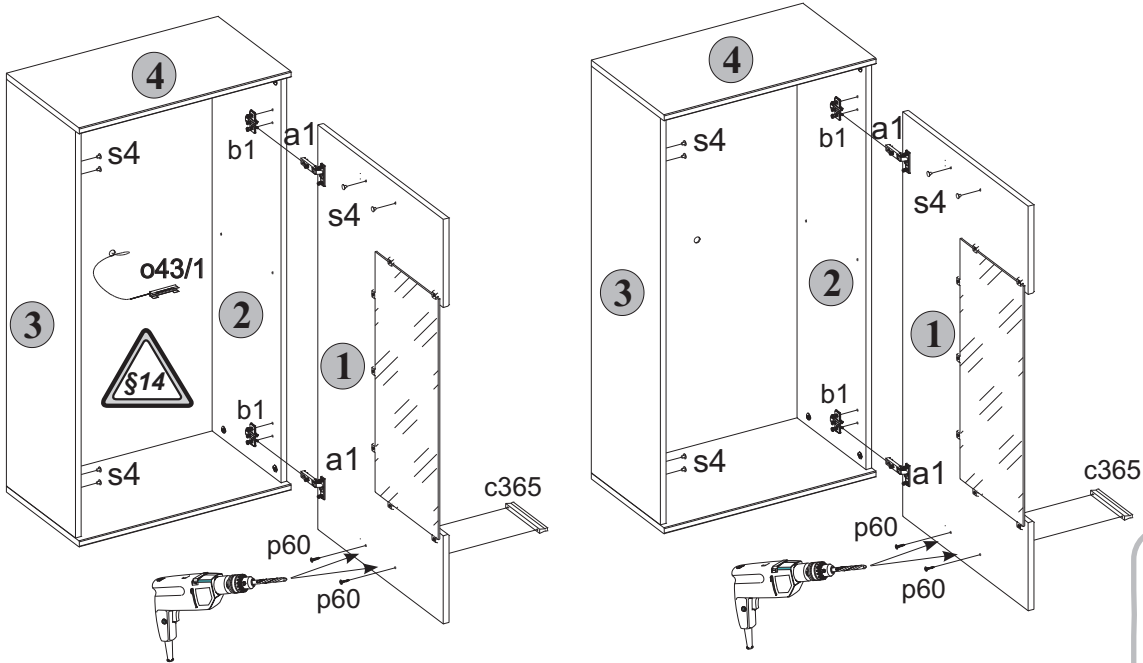


2





6



7

