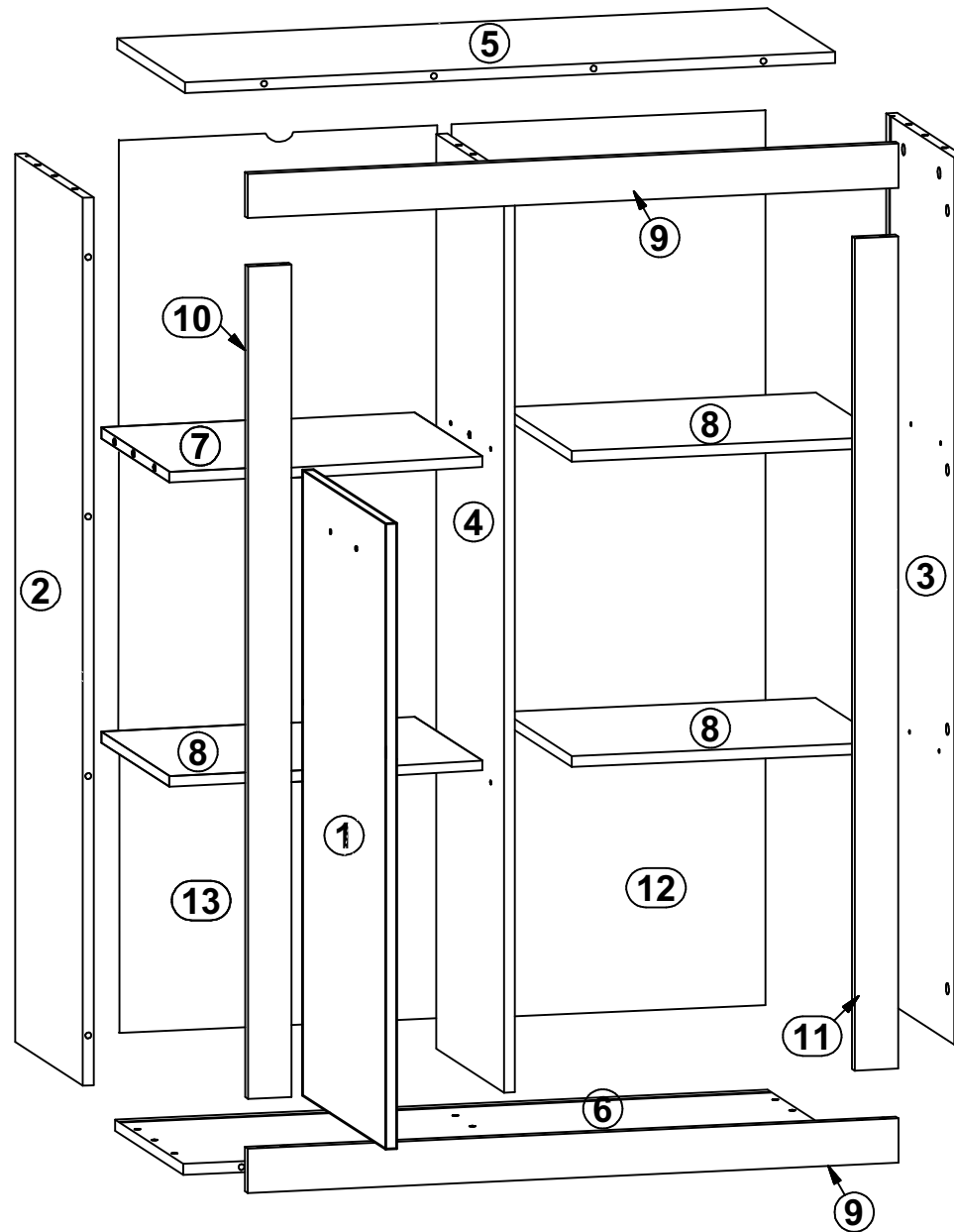
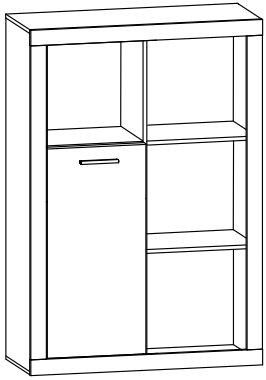
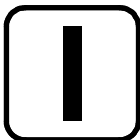


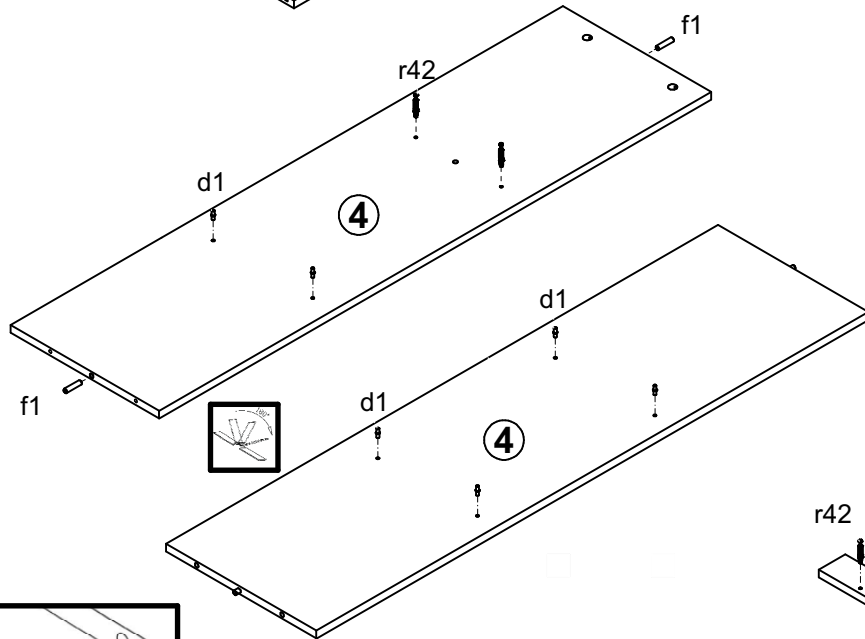
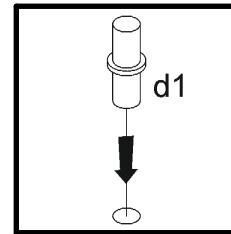
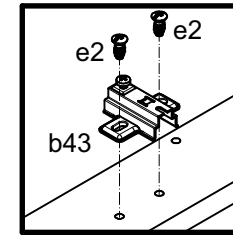
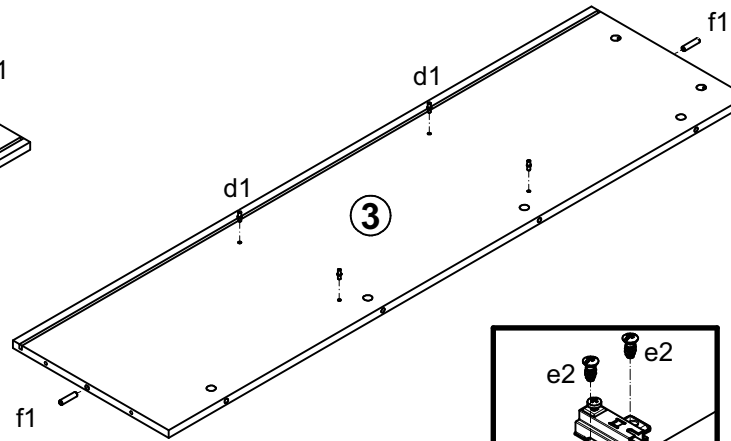
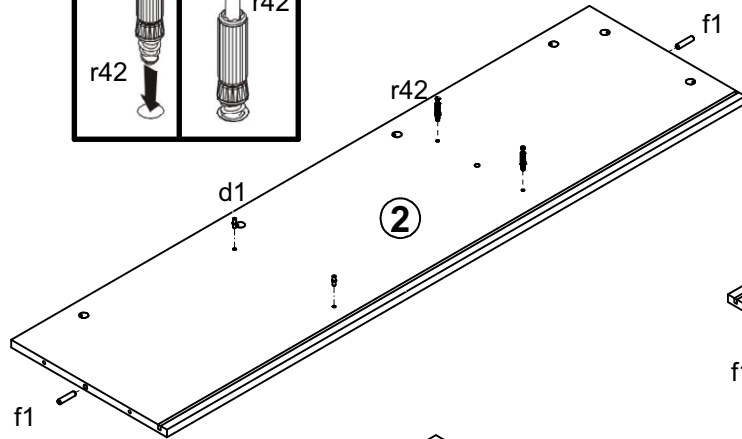
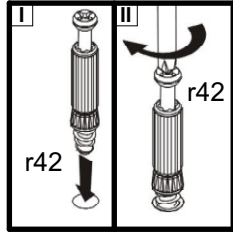
8x  <b>a99</b>	2x  <b>a44</b>	2x  <b>b19</b>	8x  <b>b43</b>	5x  <b>c235</b> L=96/128 mm	16x  <b>d1</b> ø5x17 mm	8x  <b>d3</b> ø 5x17 mm	28x  <b>e1</b> ø 7x50 mm	22x  <b>e2</b> ø 6.3x13 mm	4x  <b>e5</b> ø6.3x13 mm	4x  <b>e4</b> ø5x11 mm	32x  <b>f1</b> ø8x30 mm	20x  <b>f6</b> ø8x50 mm
6x  <b>f35</b> ø10x50 mm	2x  <b>g2</b>	11x  <b>k43</b> ø48/10mm	12x  <b>l1</b>	52x  <b>l2</b>	2x  <b>m3</b> L-236	23x  <b>n108</b> 20x13x3.5/1mm	2x  <b>n122</b>	2x  <b>o1</b>	6x  <b>p1</b> ø3.5x13 mm	8x  <b>p9</b> ø4x30 mm	4x  <b>p21</b> ø4x30 mm	2x  <b>p59</b> ø4x12 mm
20x  <b>p51</b> ø3.5x15 mm	23x  <b>p55</b> ø2.9x16 mm	4x  <b>p75</b> ø6x60 mm	85x  <b>r1</b> ø15x12mm #16	85x  <b>r42</b> 20/11	4x  <b>s1</b>	26x  <b>s2</b> ø16	2x  <b>s67</b>	1x  <b>z1</b>	2x  <b>n14</b> 81x21x15/1.5mm	2x  <b>p17</b> ø5x60 mm	4x  <b>p38</b> ø3.5x16 mm	



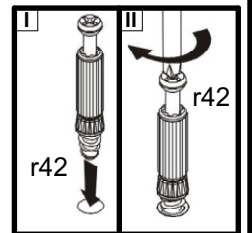
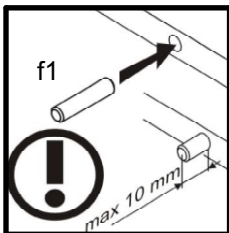
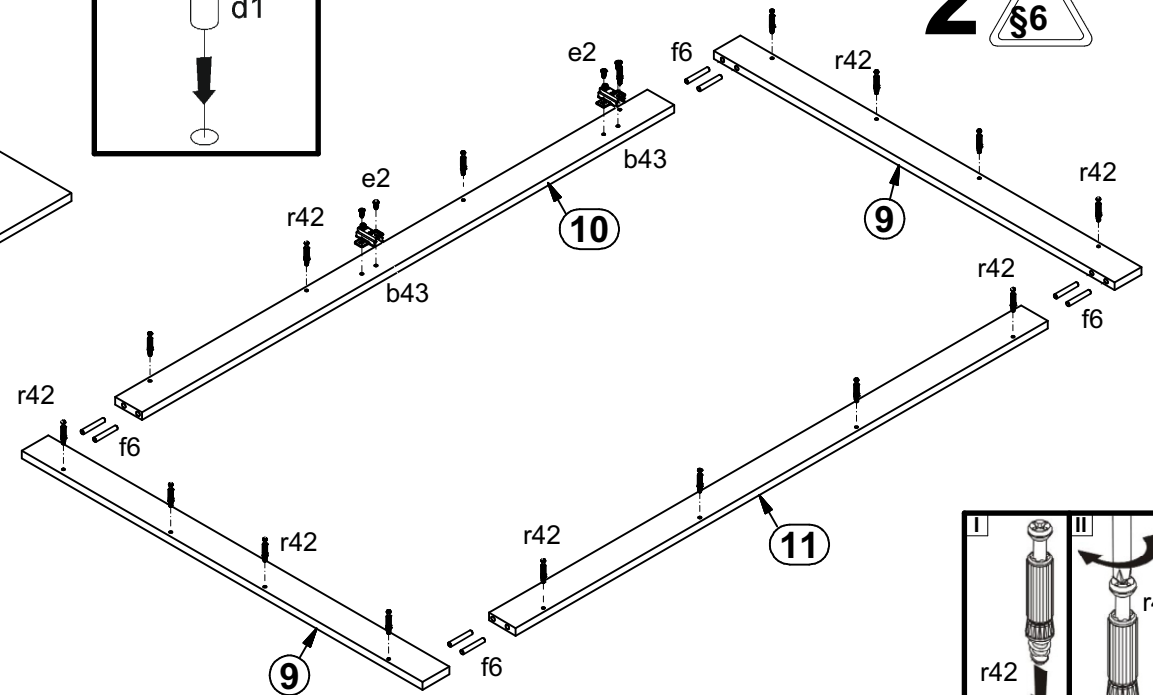
A	B	C (mm)		D
1	N17-003	740	335	3/4
2	N17-105	1160	320	3/4
3	N17-106	1160	320	3/4
4	N17-107	1160	300	3/4
5	N17-203	799	320	3/4
6	N17-204	799	320	3/4
7	N17-303	375	300	3/4
8	N17-304	375	300	3/4
9	N17-504	800	60	3/4
10	N17-505	1073	60	3/4
11	N17-506	1073	60	3/4
12	N17-902	1186	387	3/4
13	N17-903	1186	387	3/4



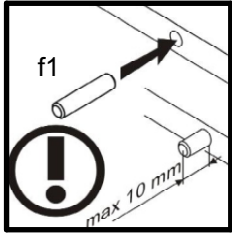
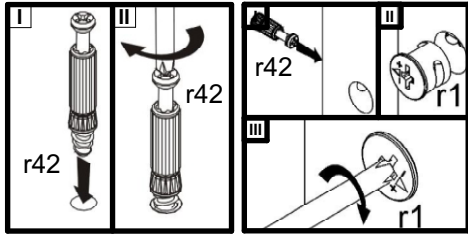
1 



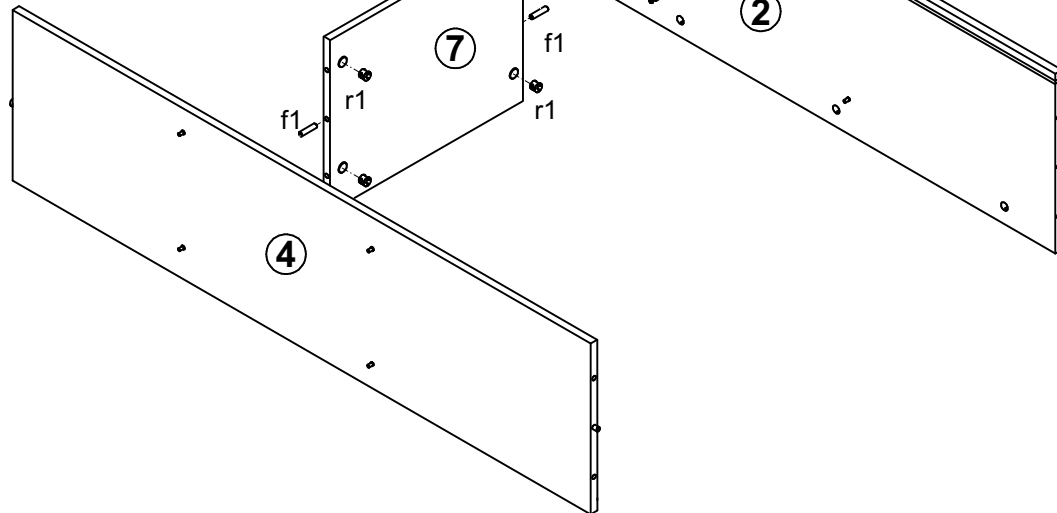
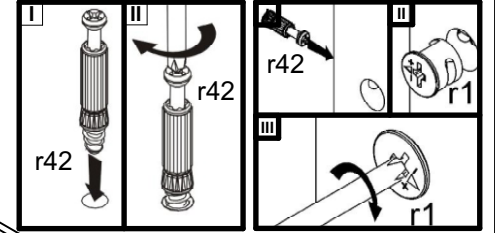
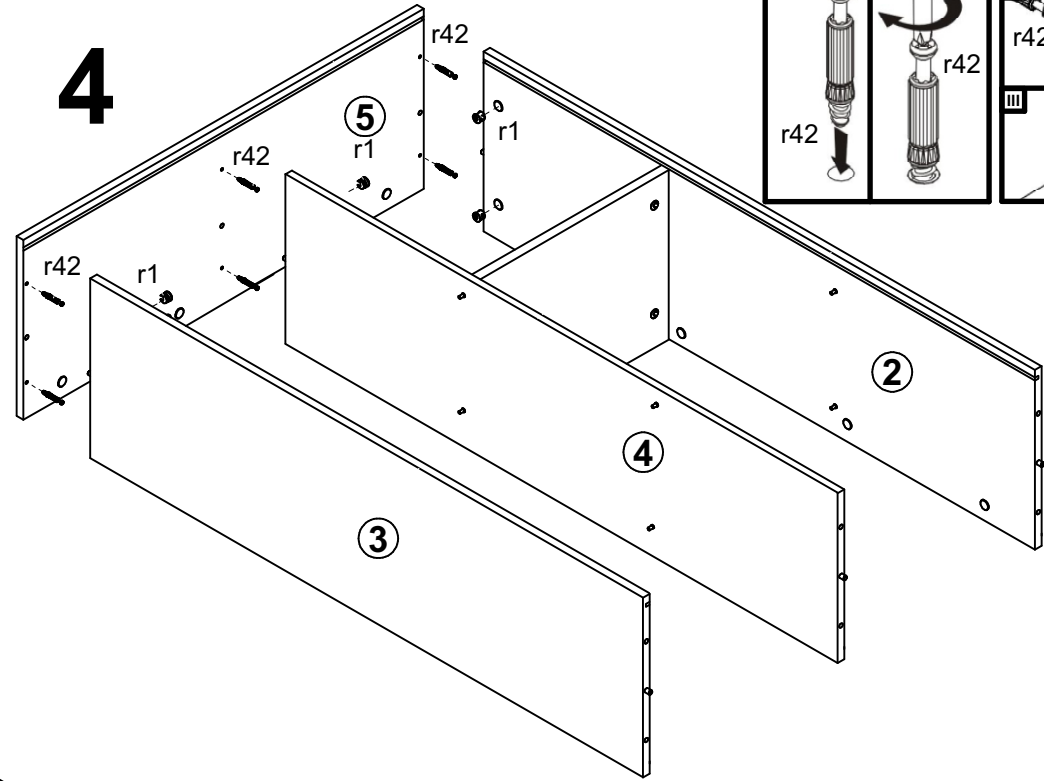
2 

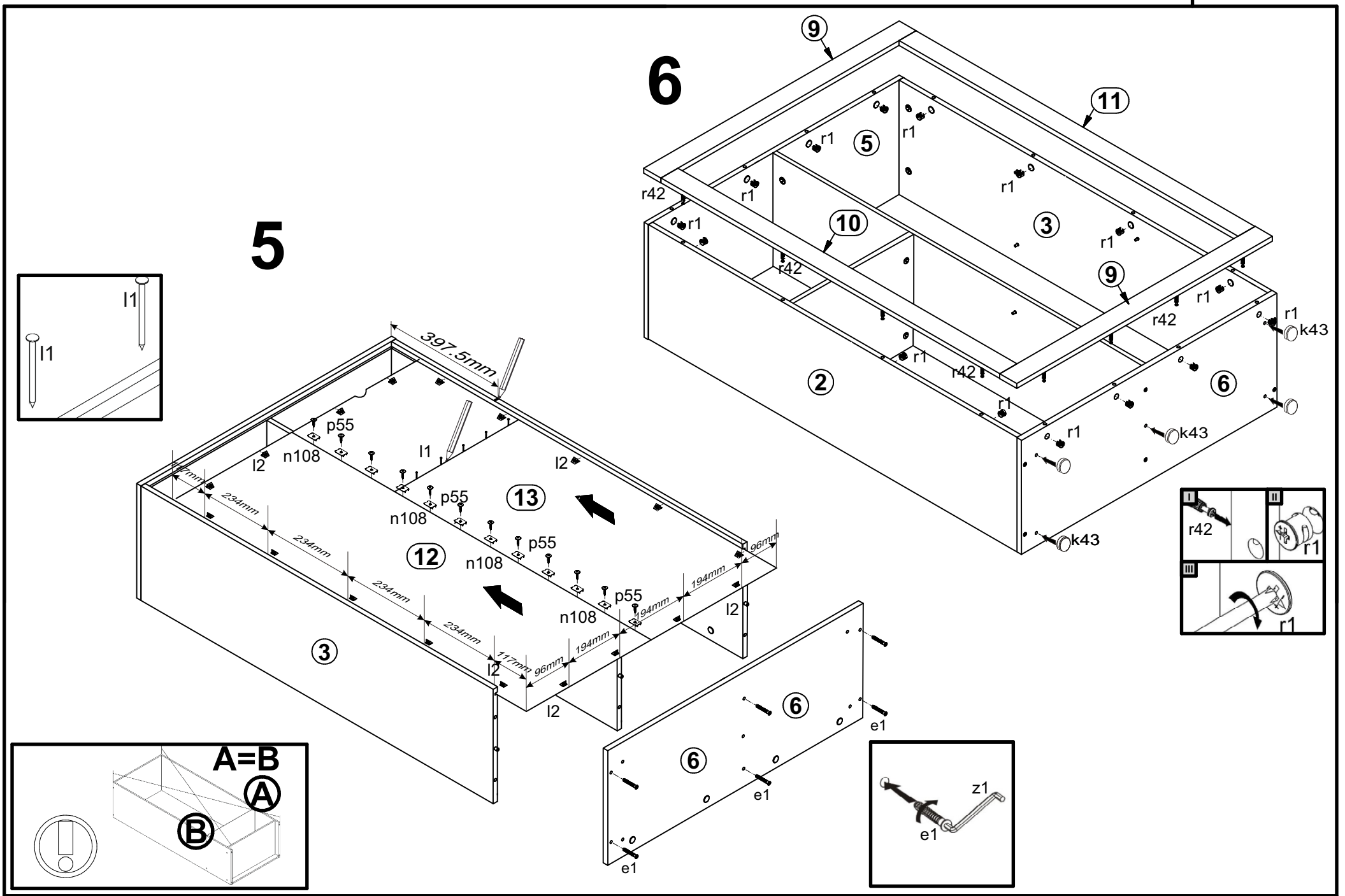


3

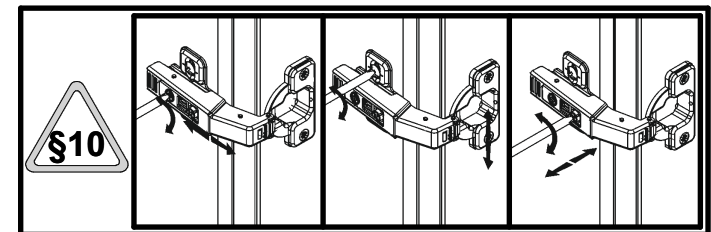
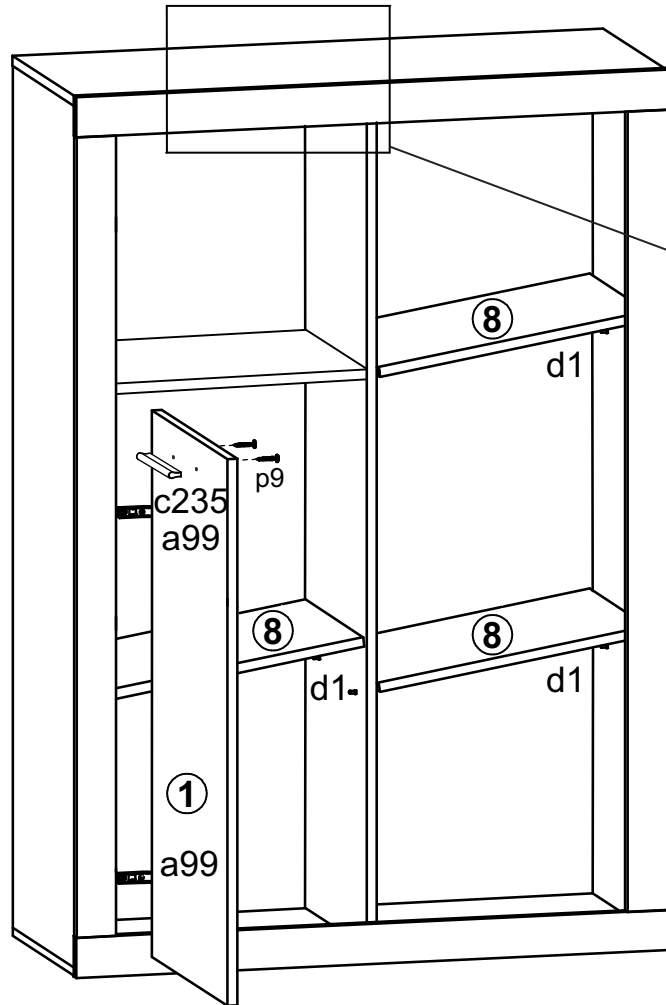
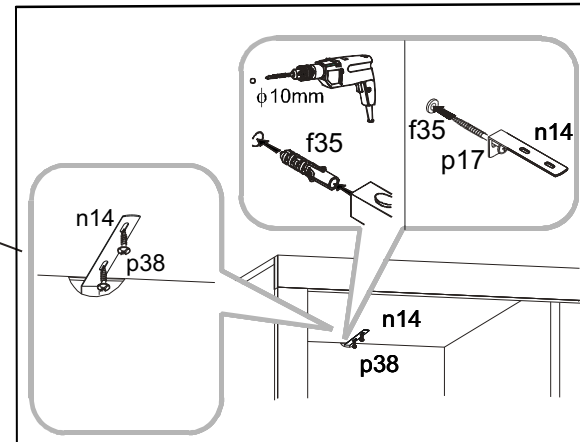
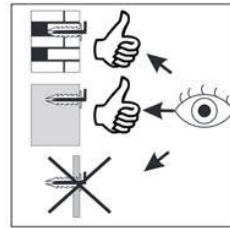
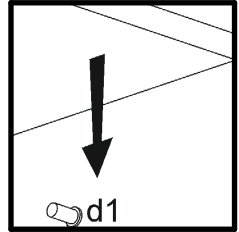
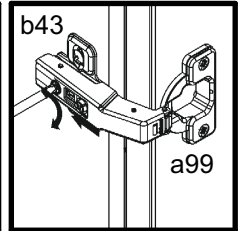
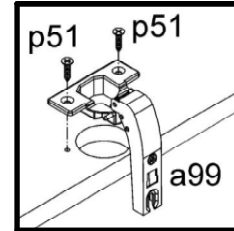


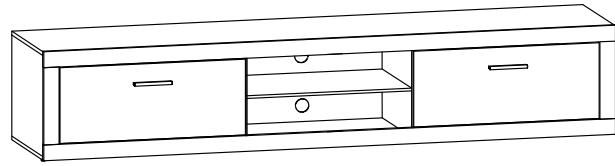
4



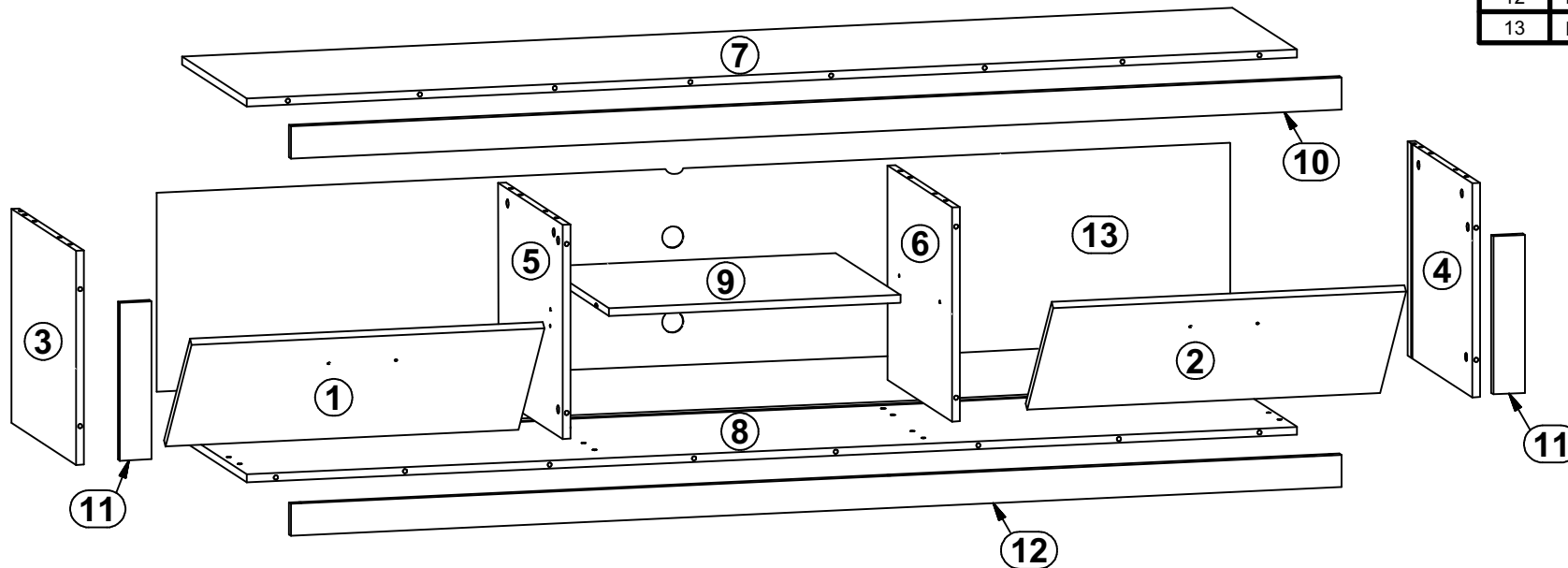


7

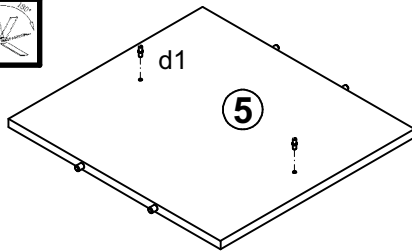
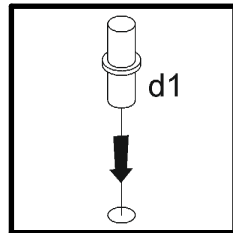
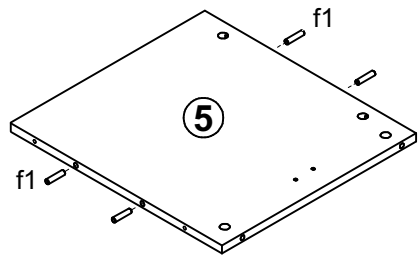
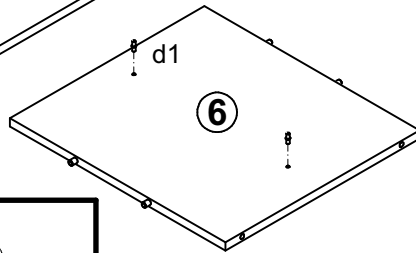
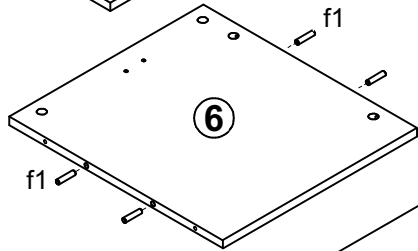
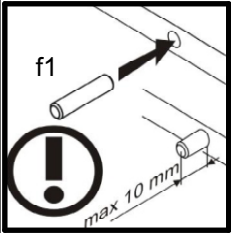
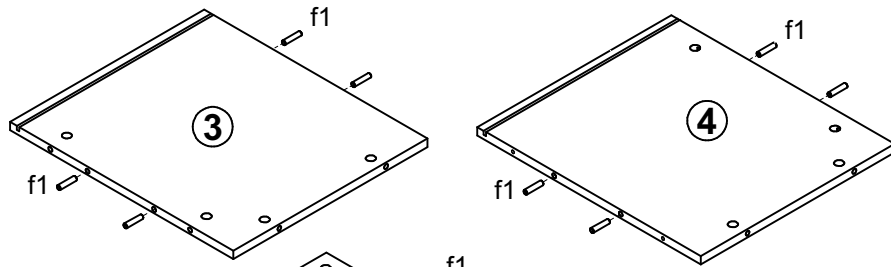




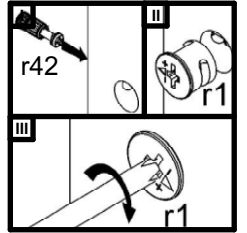
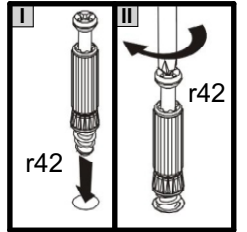
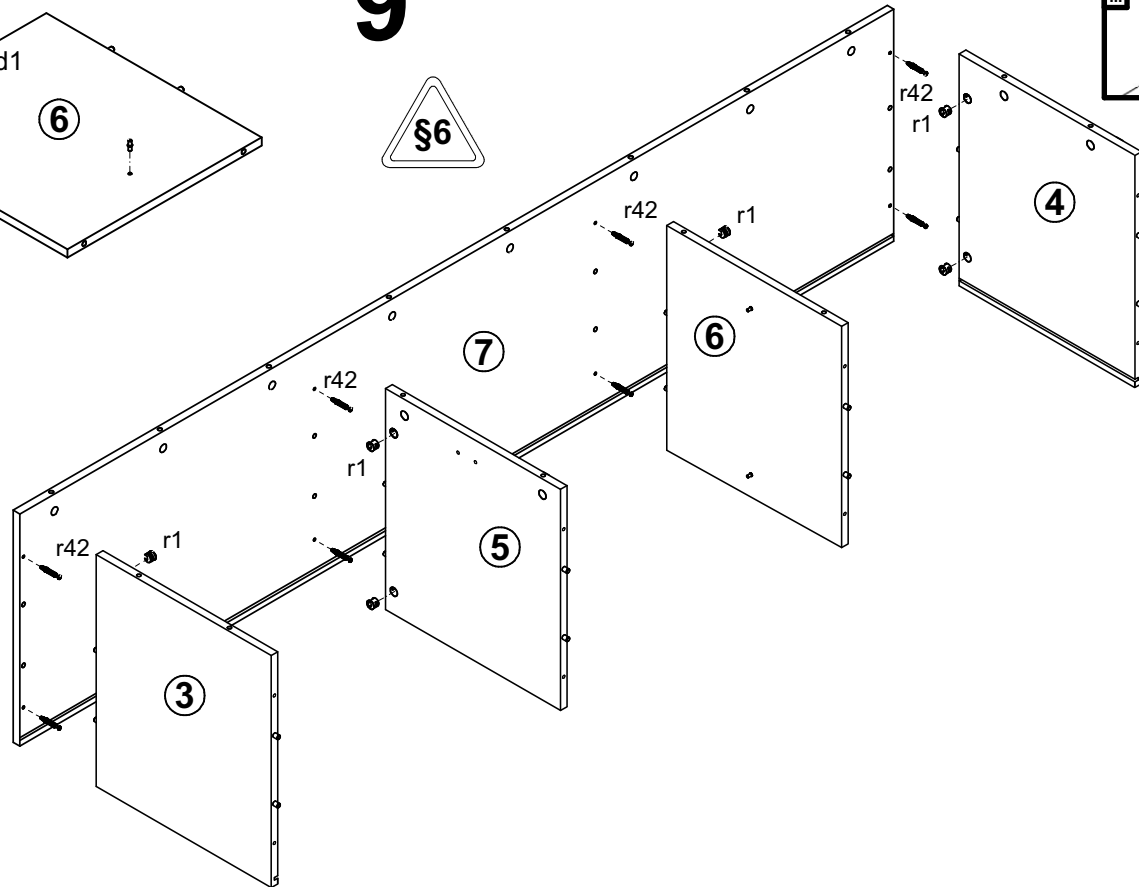
A	B	C (mm)		D
1	N17-001	600	267	1/4
2	N17-002	600	267	1/4
3	N17-101	360	380	2/4
4	N17-102	360	380	2/4
5	N17-103	360	360	2/4
6	N17-104	360	360	2/4
7	N17-201	1899	380	1/4
8	N17-202	1899	380	1/4
9	N17-302	558	360	1/4
10	N17-501	1900	60	1/4
11	N17-502	273	60	1/4
12	N17-503	1900	60	1/4
13	N17-901	1892	370	1/4



8

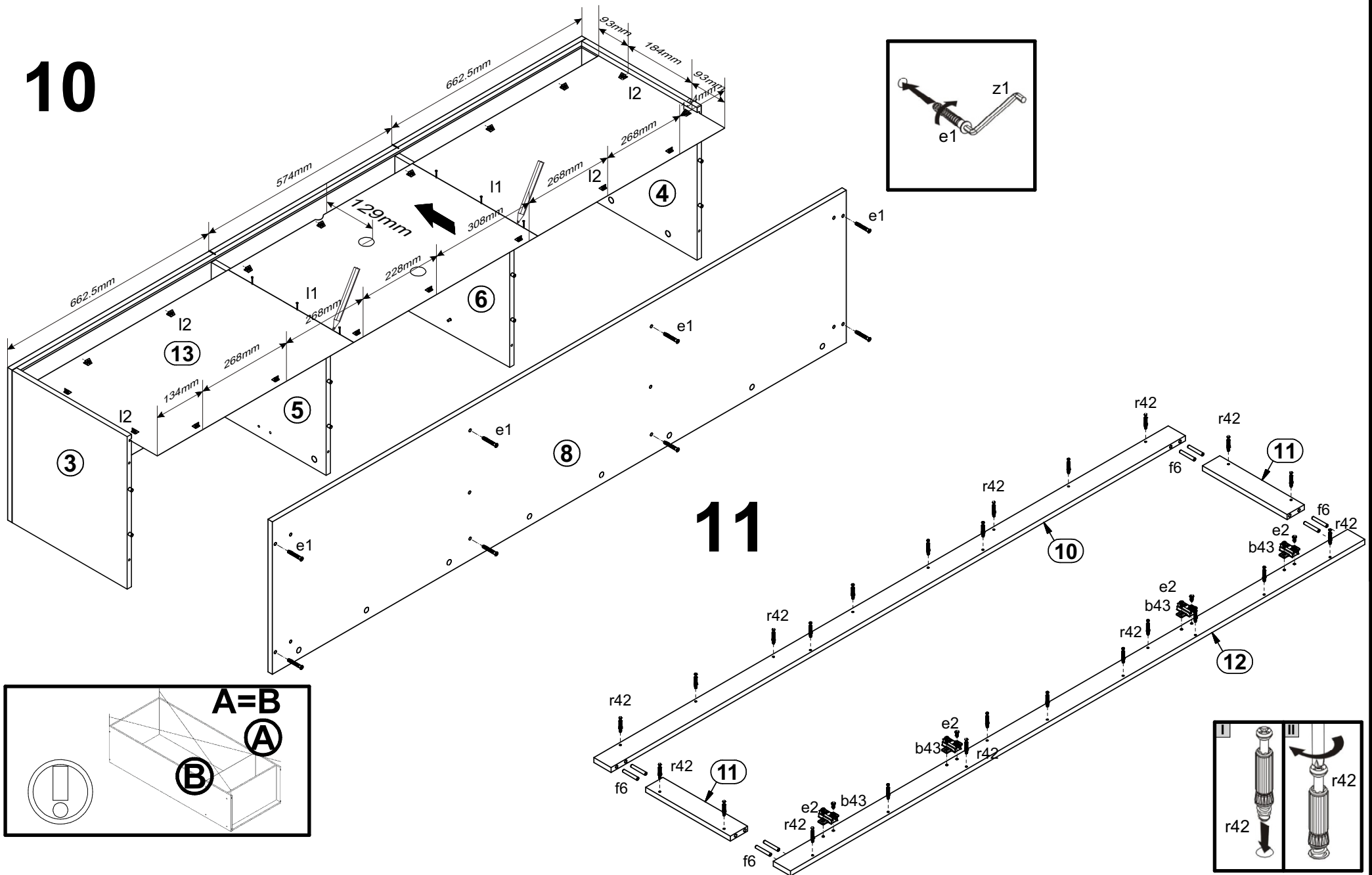


9

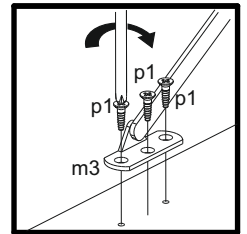
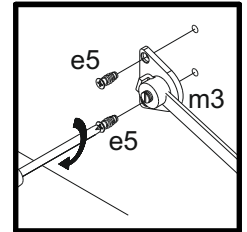
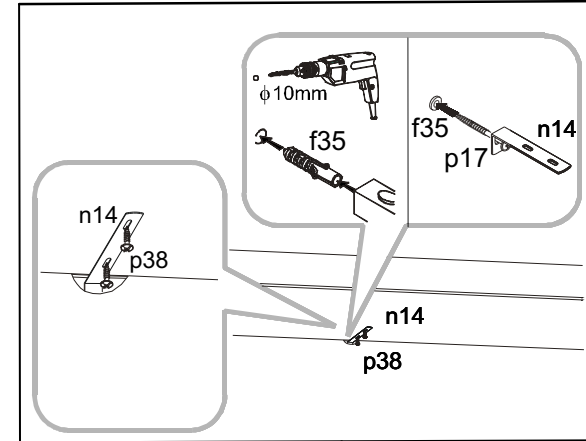
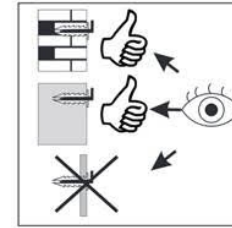
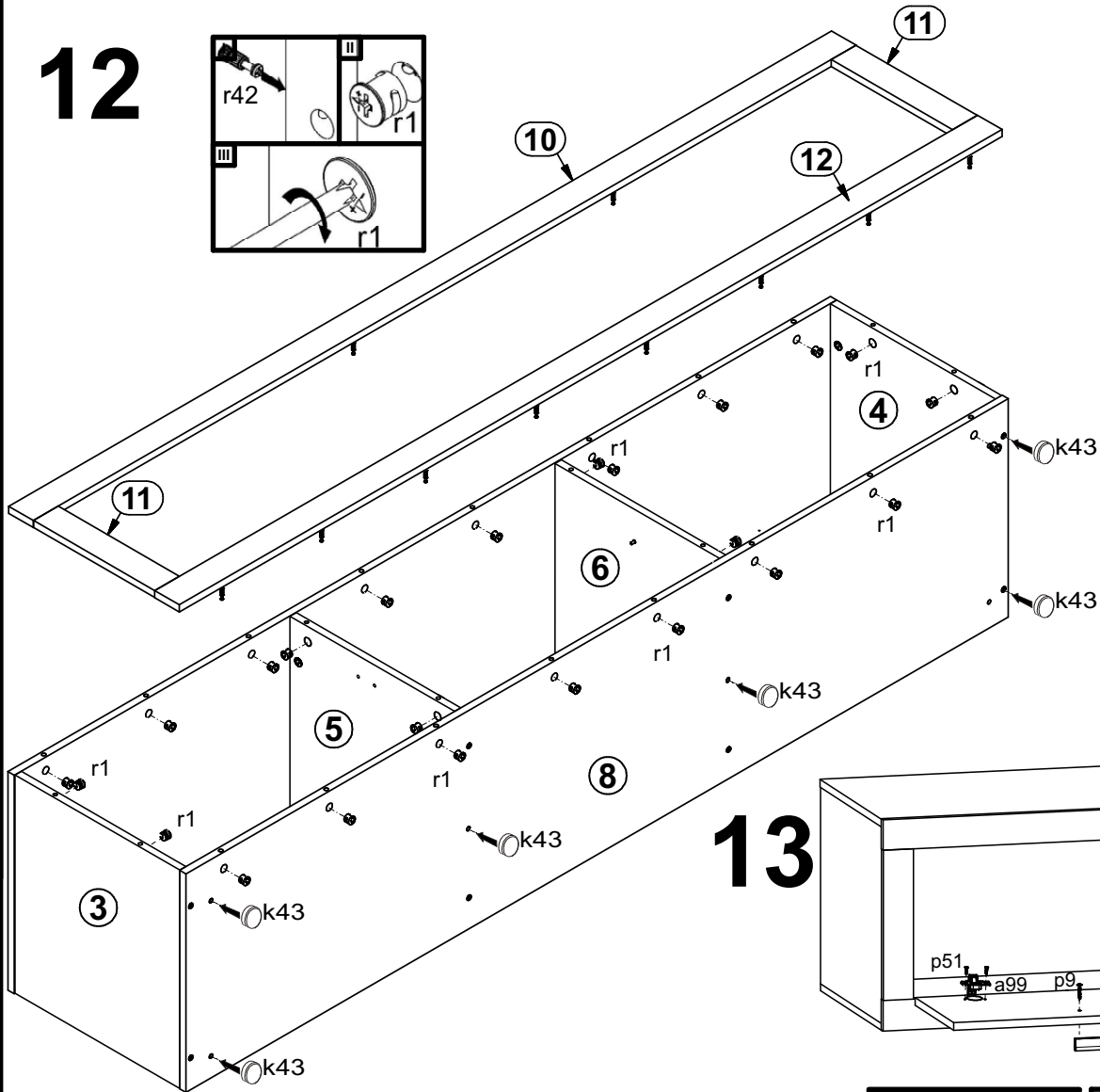
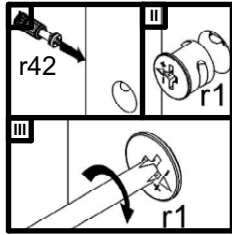




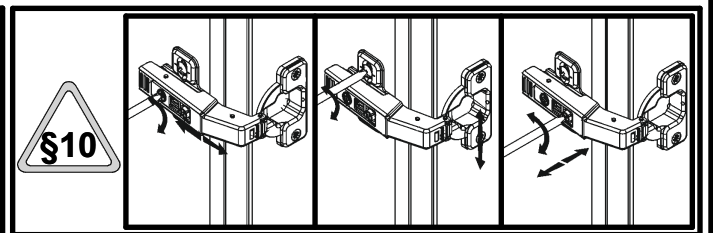
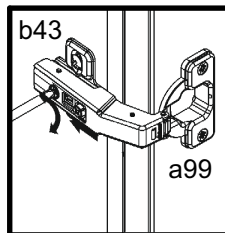
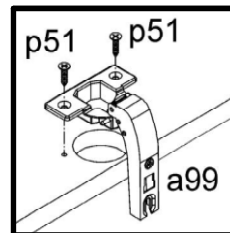
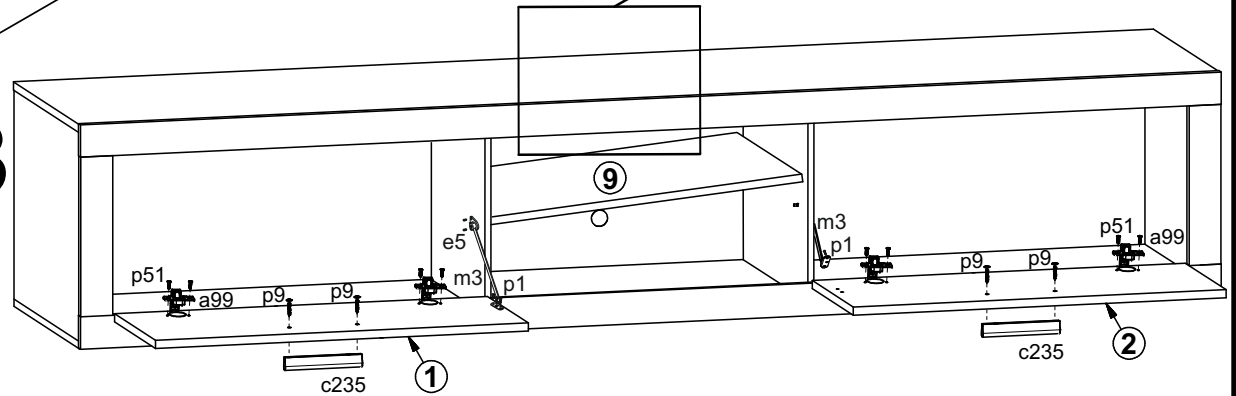
10

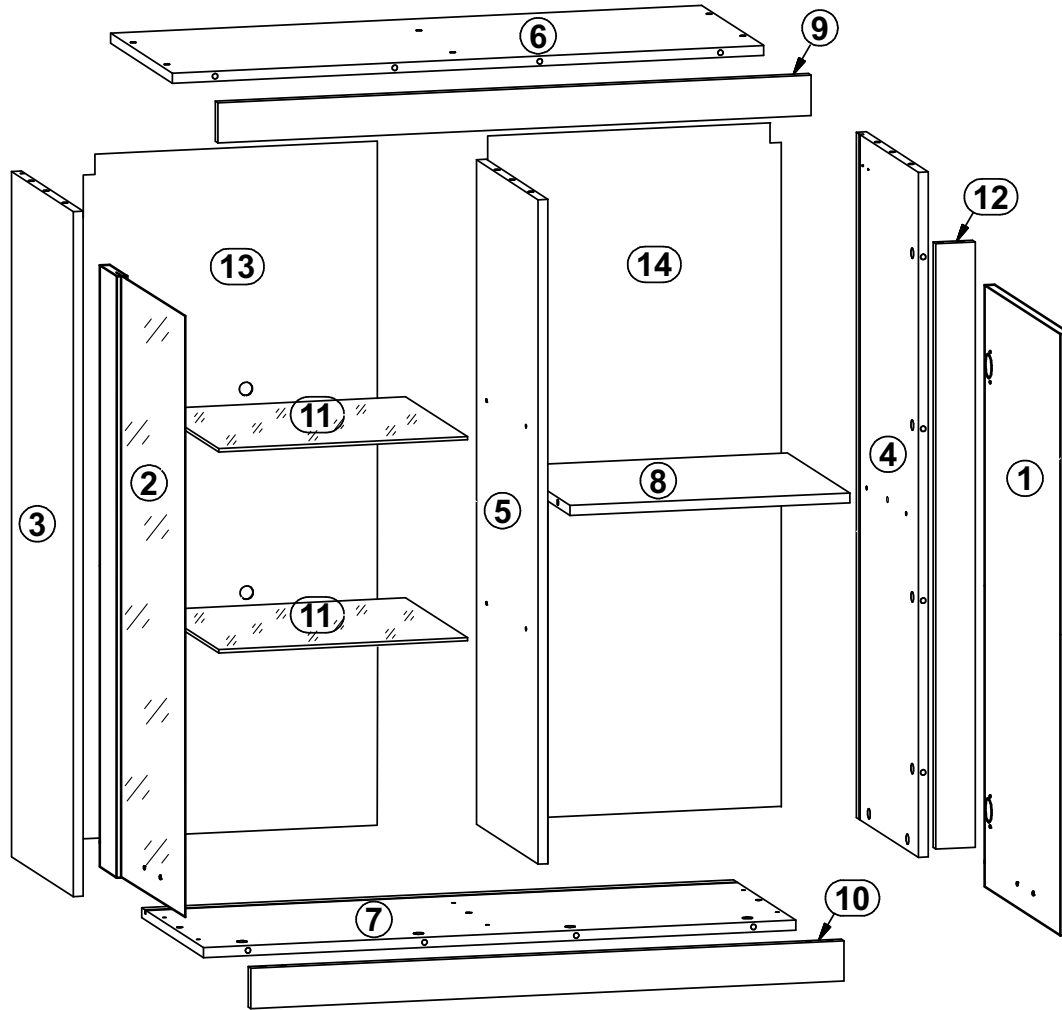
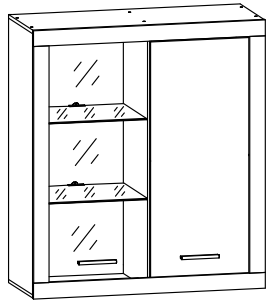


12



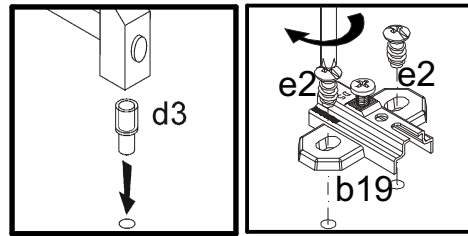
13



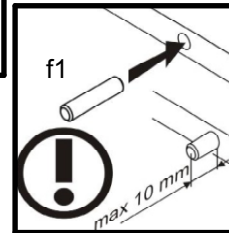
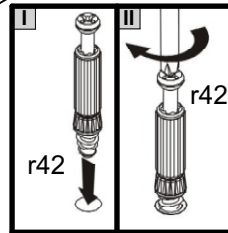
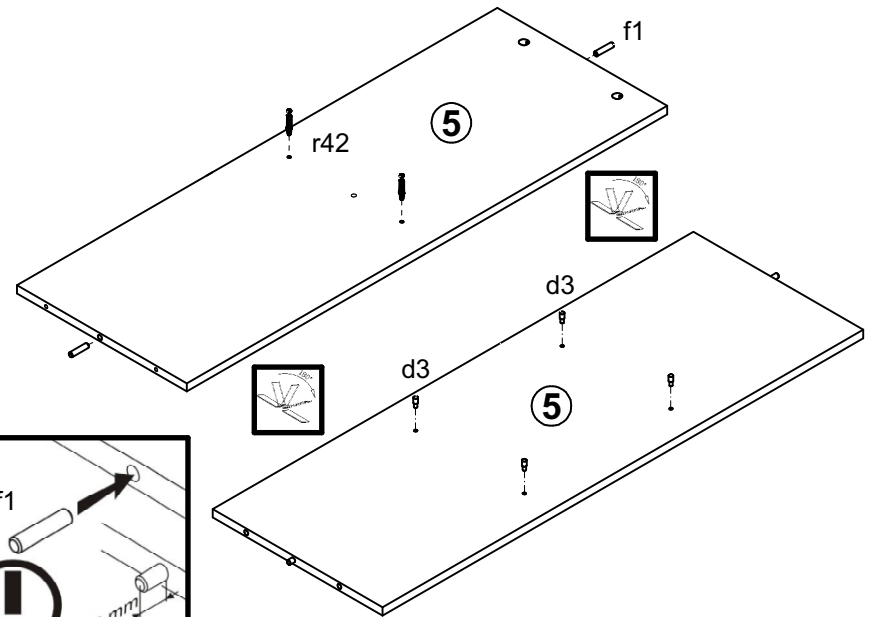
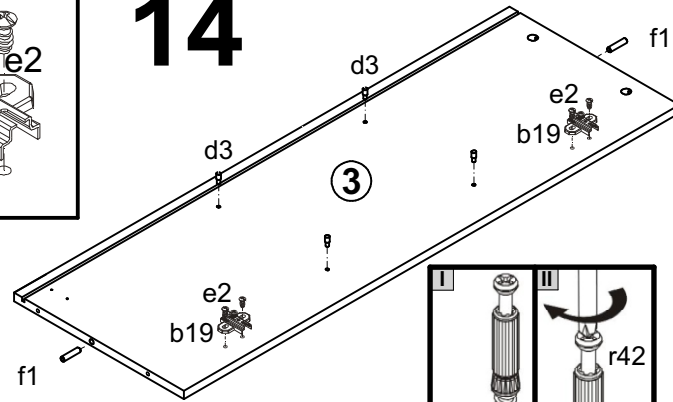


A	B	C (mm)		D
1	N17-004	875	335	4/4
2	N17-005	875	335	4/4
3	N17-108	968	284	4/4
4	N17-109	968	284	4/4
5	N17-110	968	264	4/4
6	N17-205	799	284	4/4
7	N17-206	799	284	4/4
8	N17-307	375	264	4/4
9	N17-511	800	60	4/4
10	N17-512	800	60	4/4
11	N17-514	375	256	4/4
12	N17-516	881	60	4/4
13	N17-904	978	387	4/4
14	N17-906	978	387	4/4

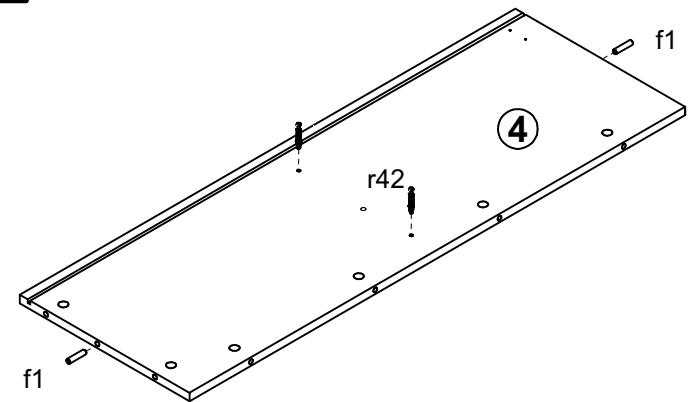
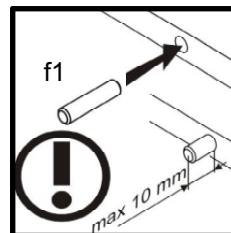
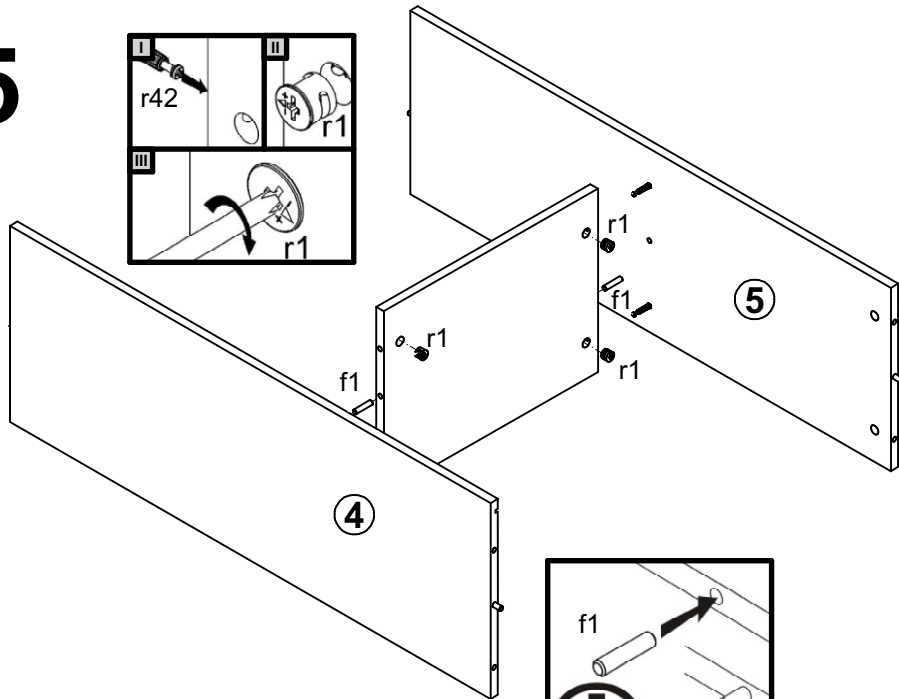
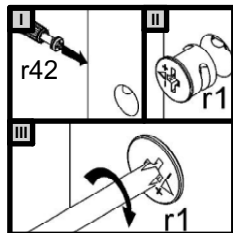




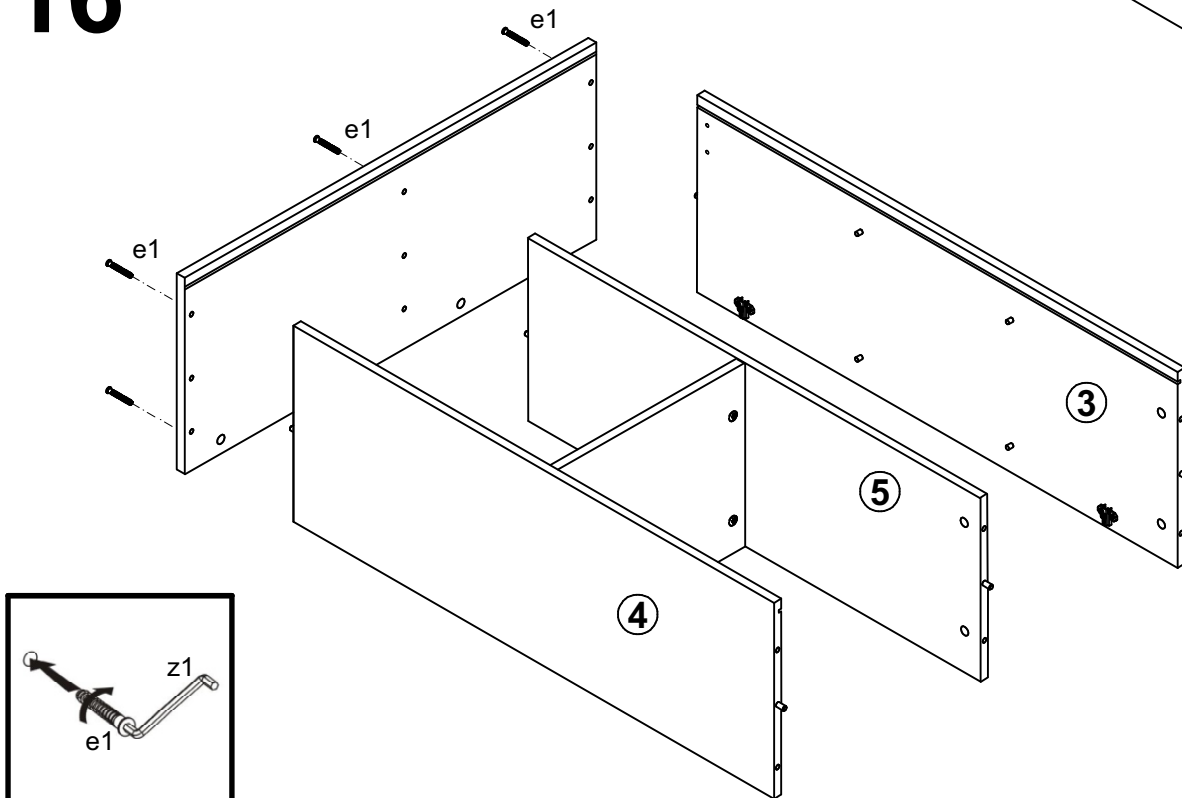
14



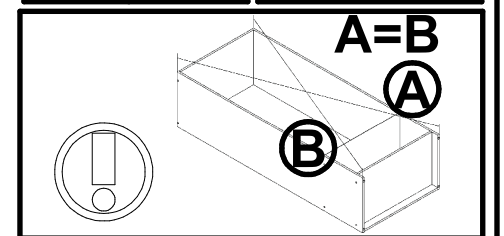
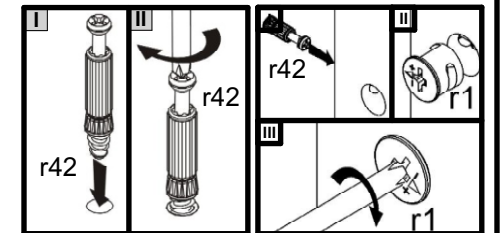
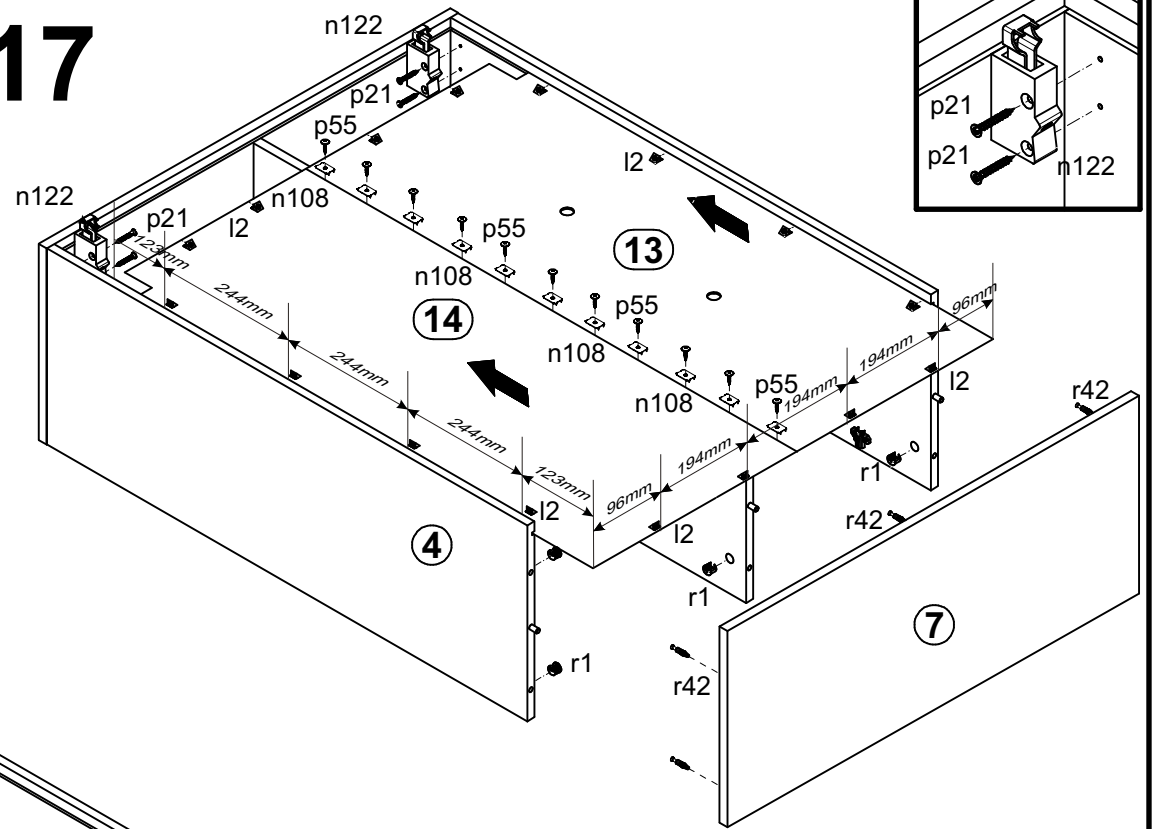
15

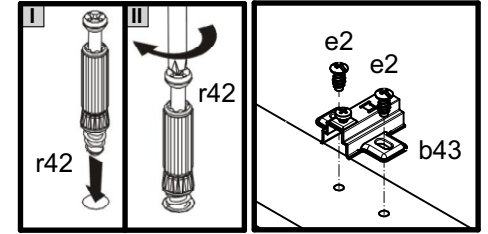


16

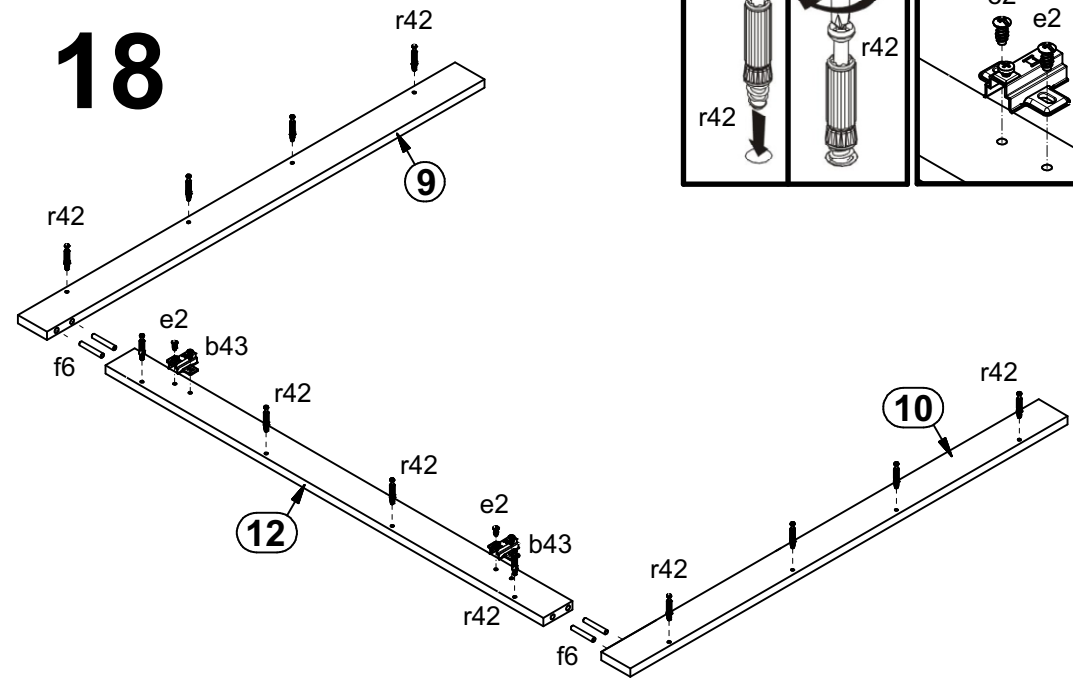


17

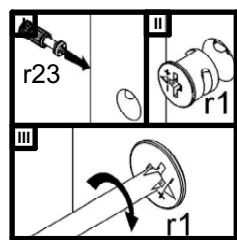
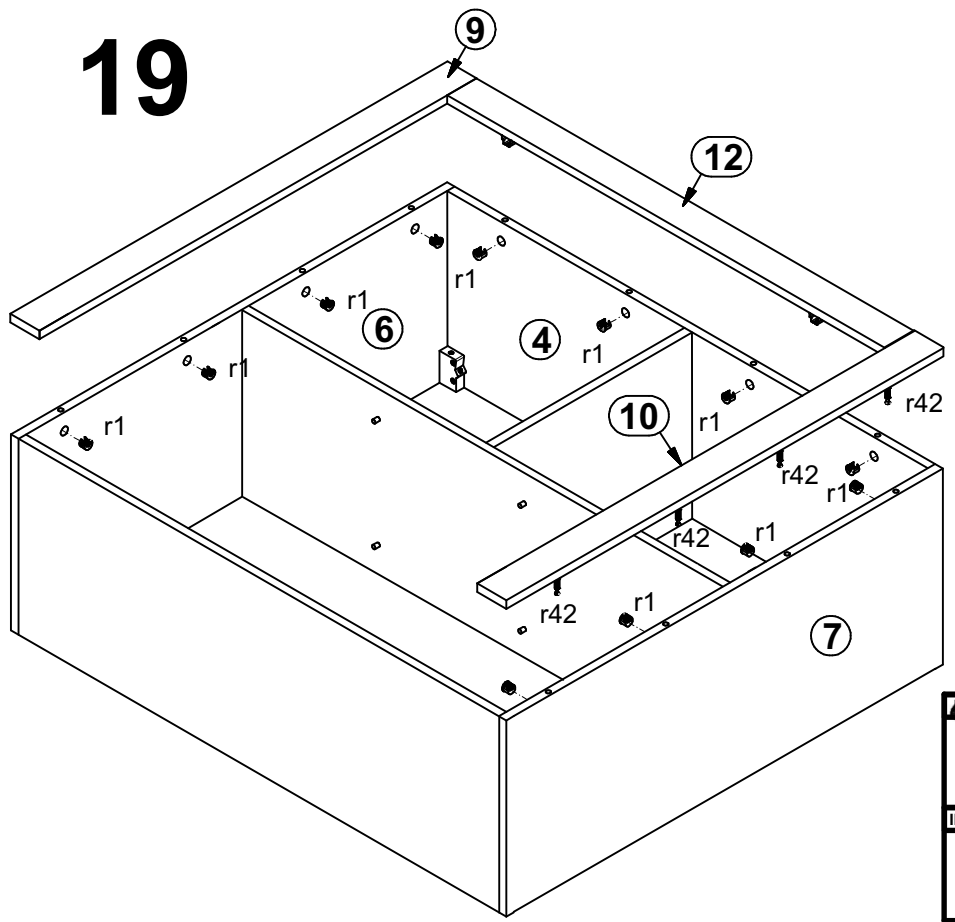




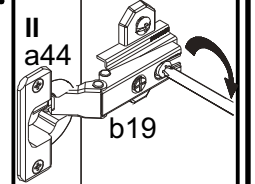
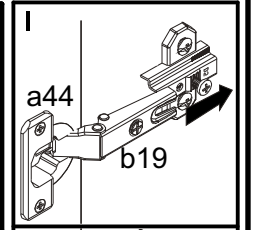
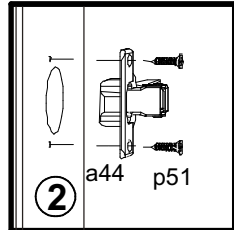
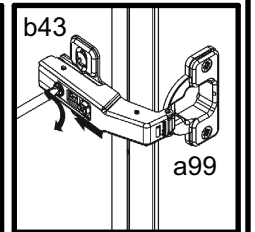
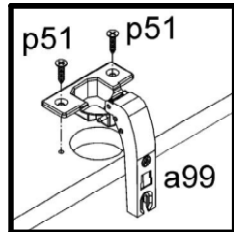
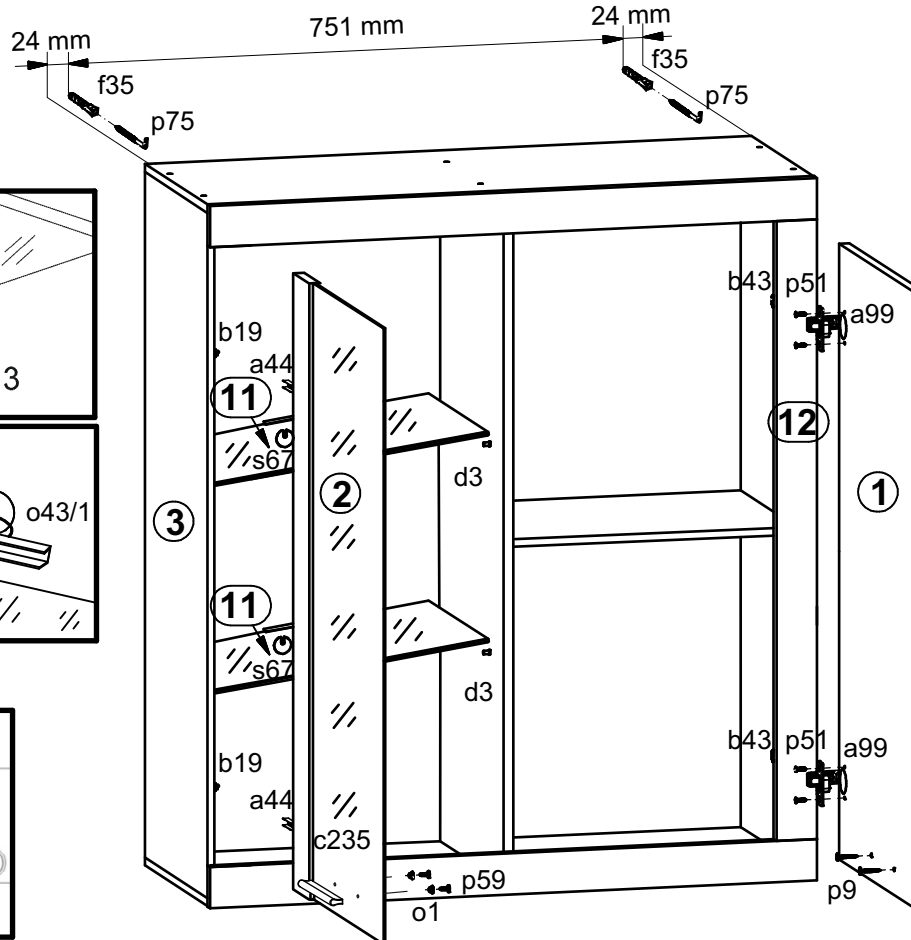
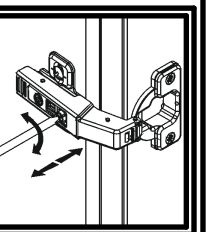
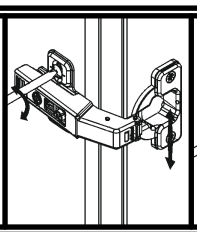
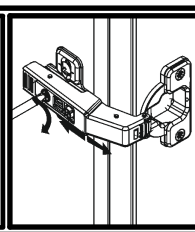
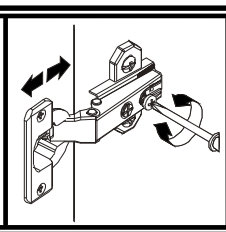
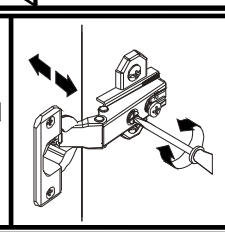
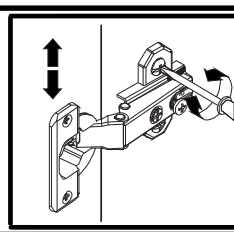
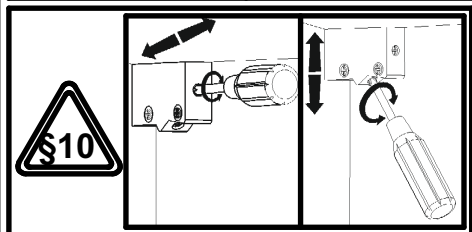
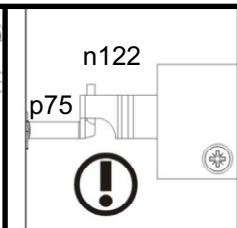
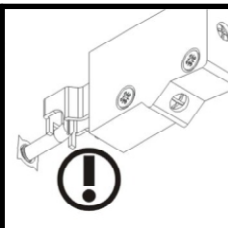
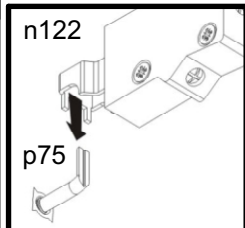
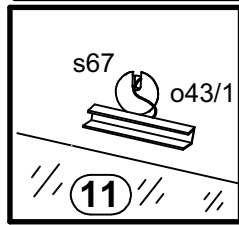
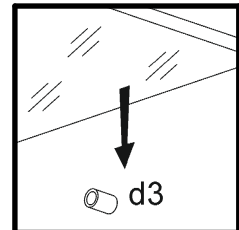
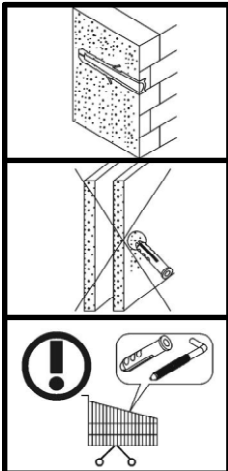
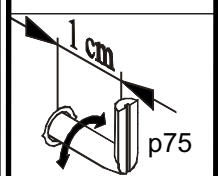
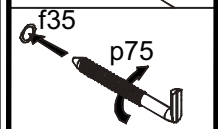
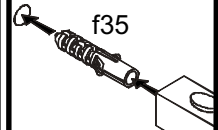
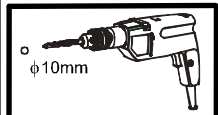
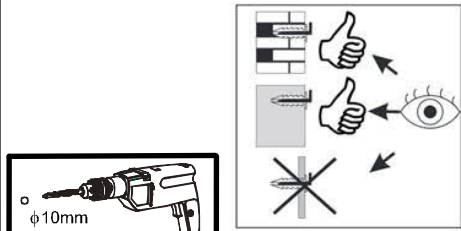
18

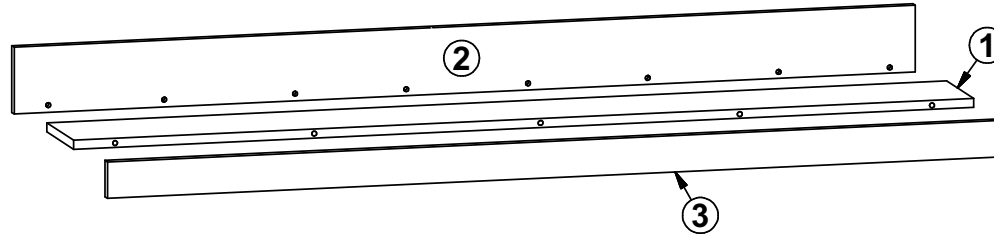


19



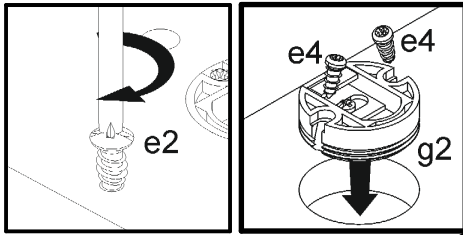
# 20



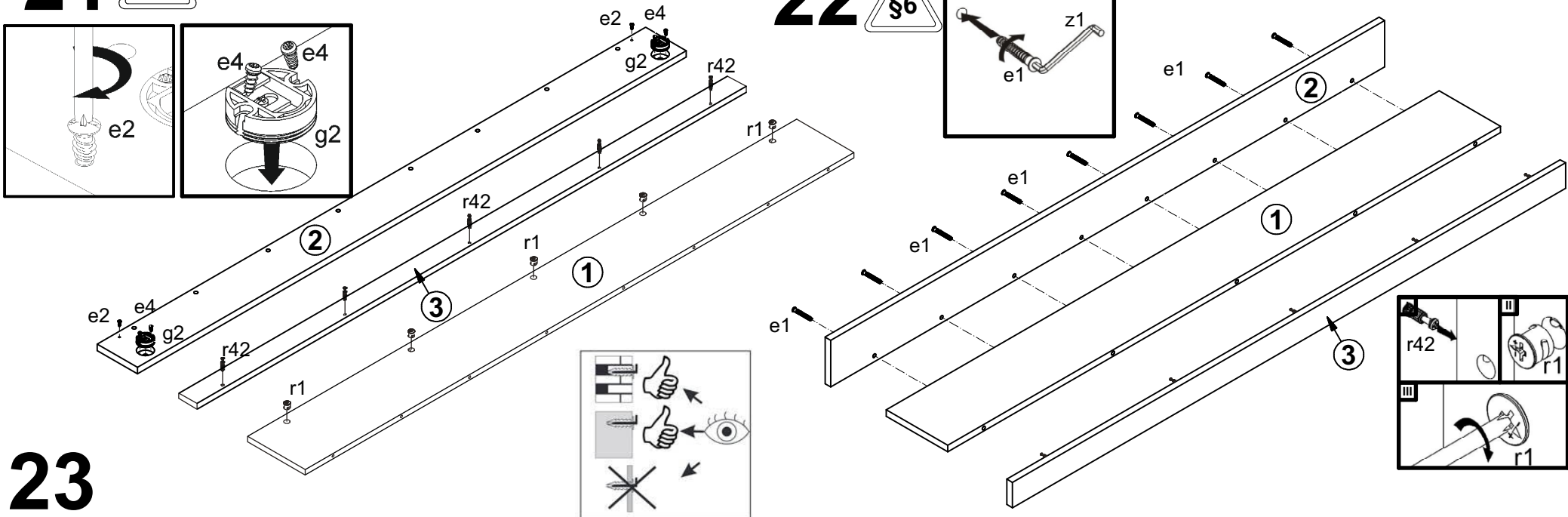
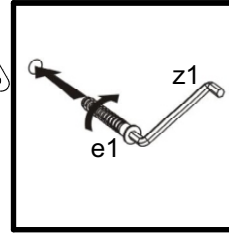


A	B	C (mm)	D
1	N17-306	1500	158 / 2/4
2	N17-509	1500	108 / 2/4
3	N17-510	1500	60 / 2/4

# 21



# 22



# 23

