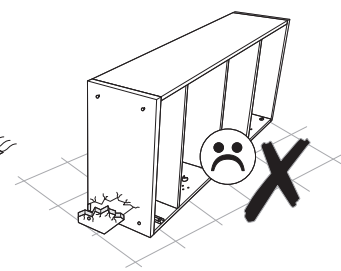
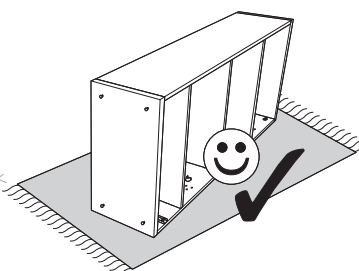
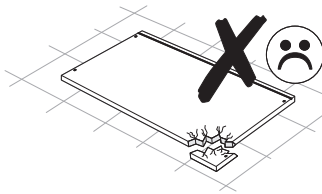
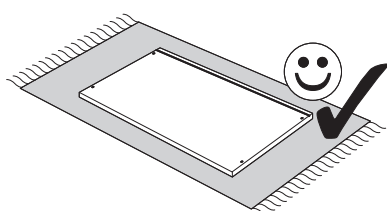
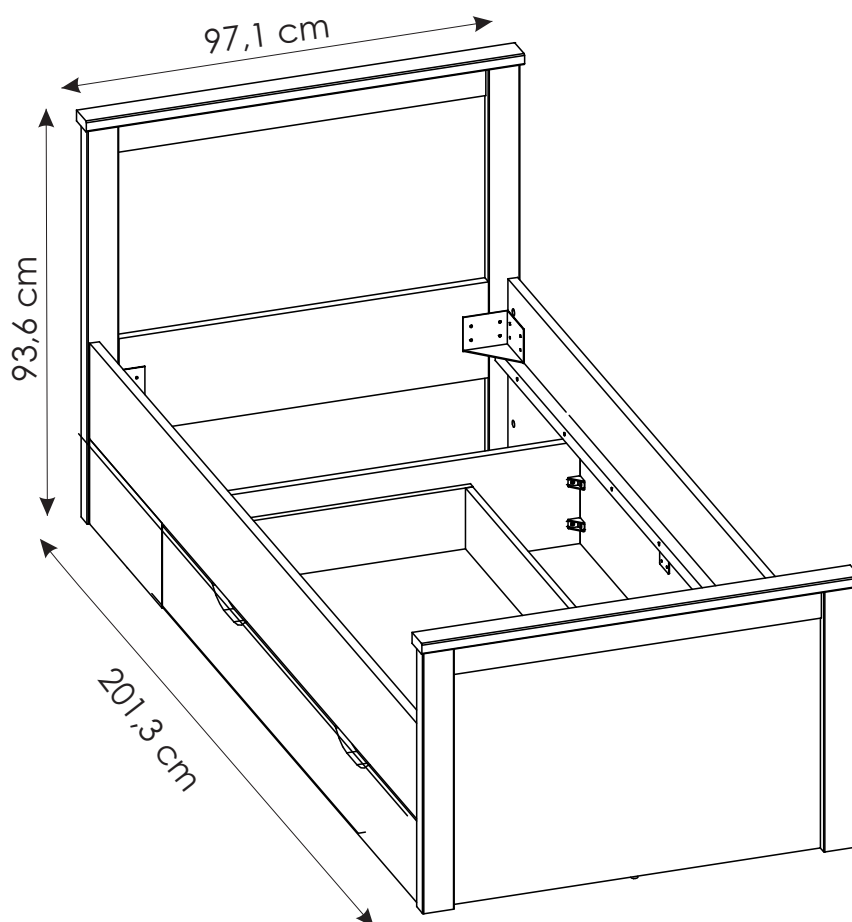
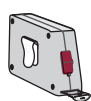
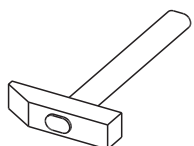
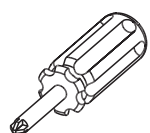
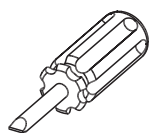
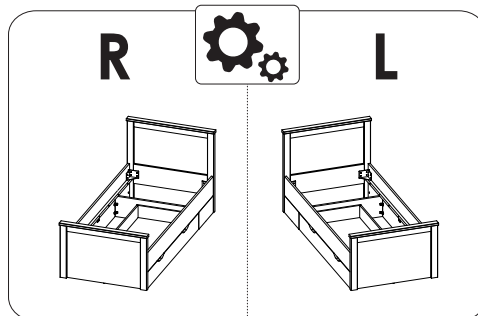
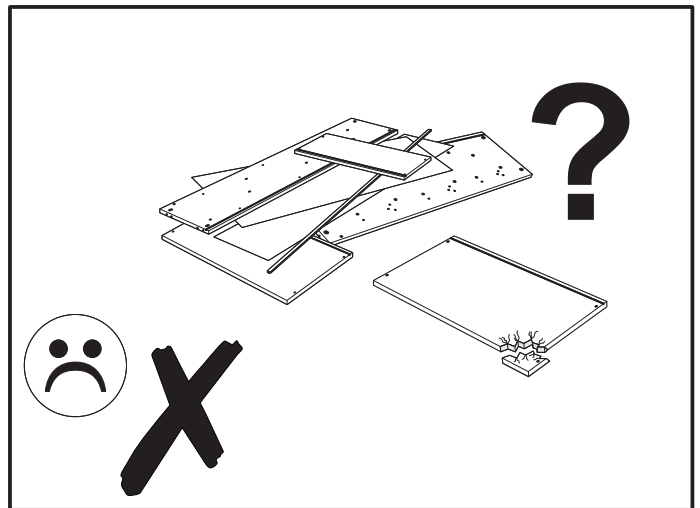
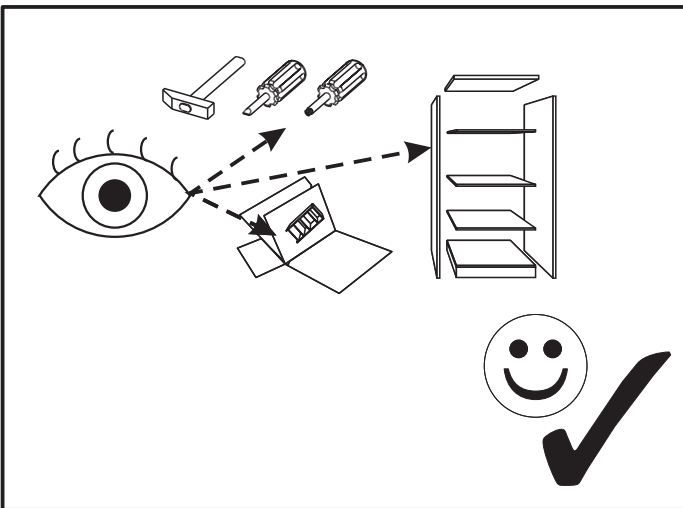
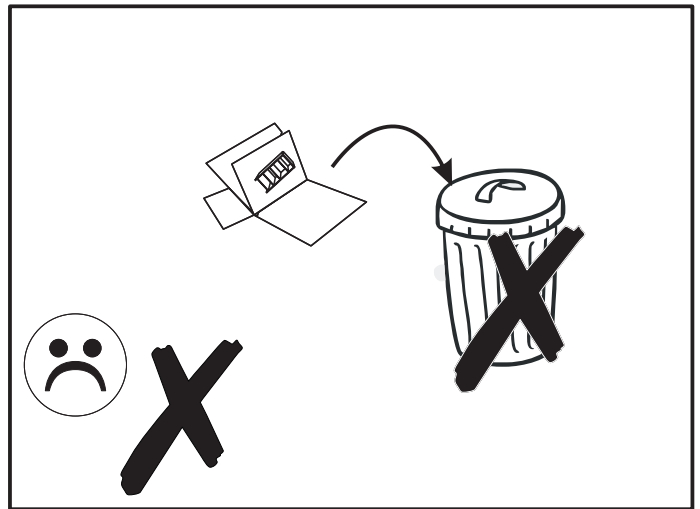
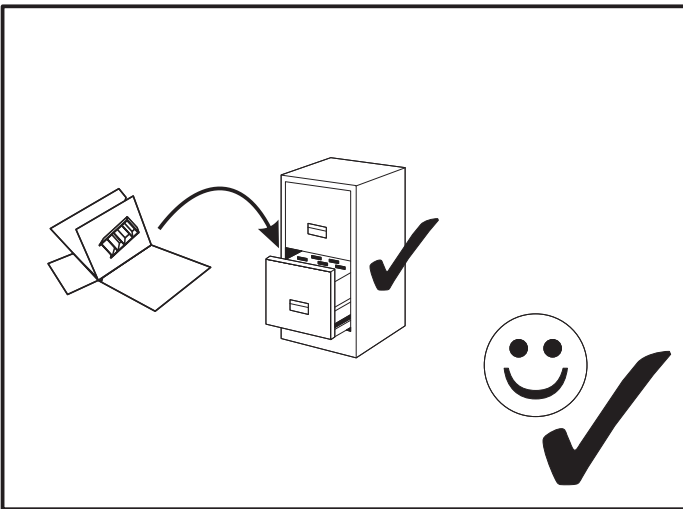
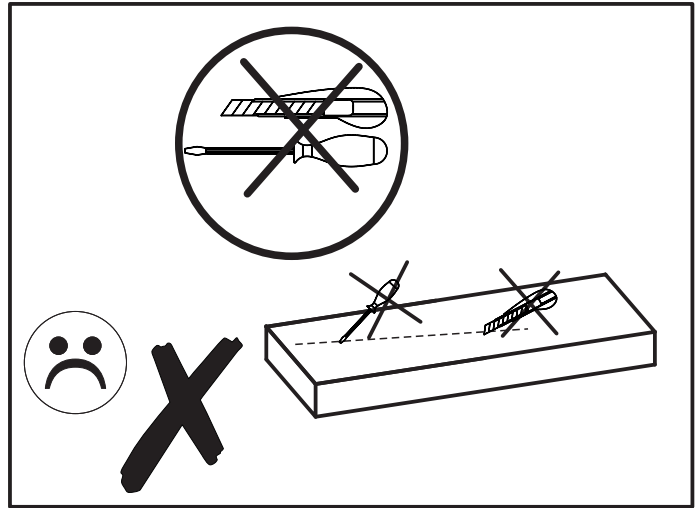
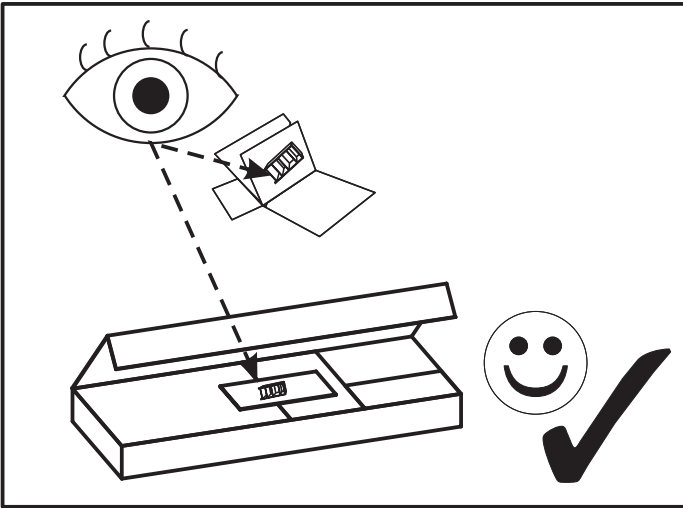




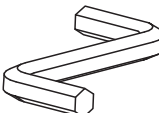

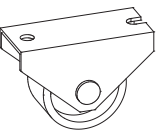
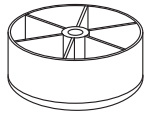
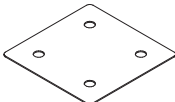
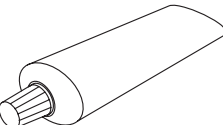
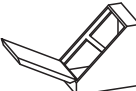
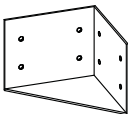

PROVENCE PVL03M

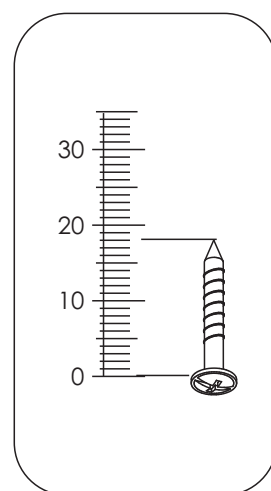




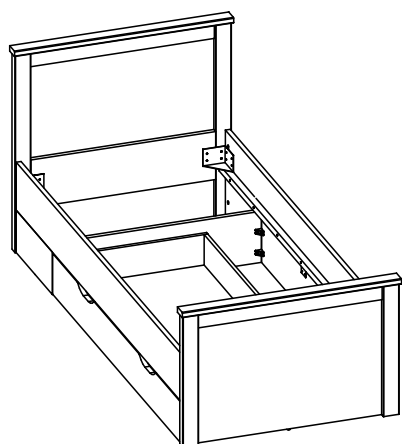
PROVENCE PVL03M

MM

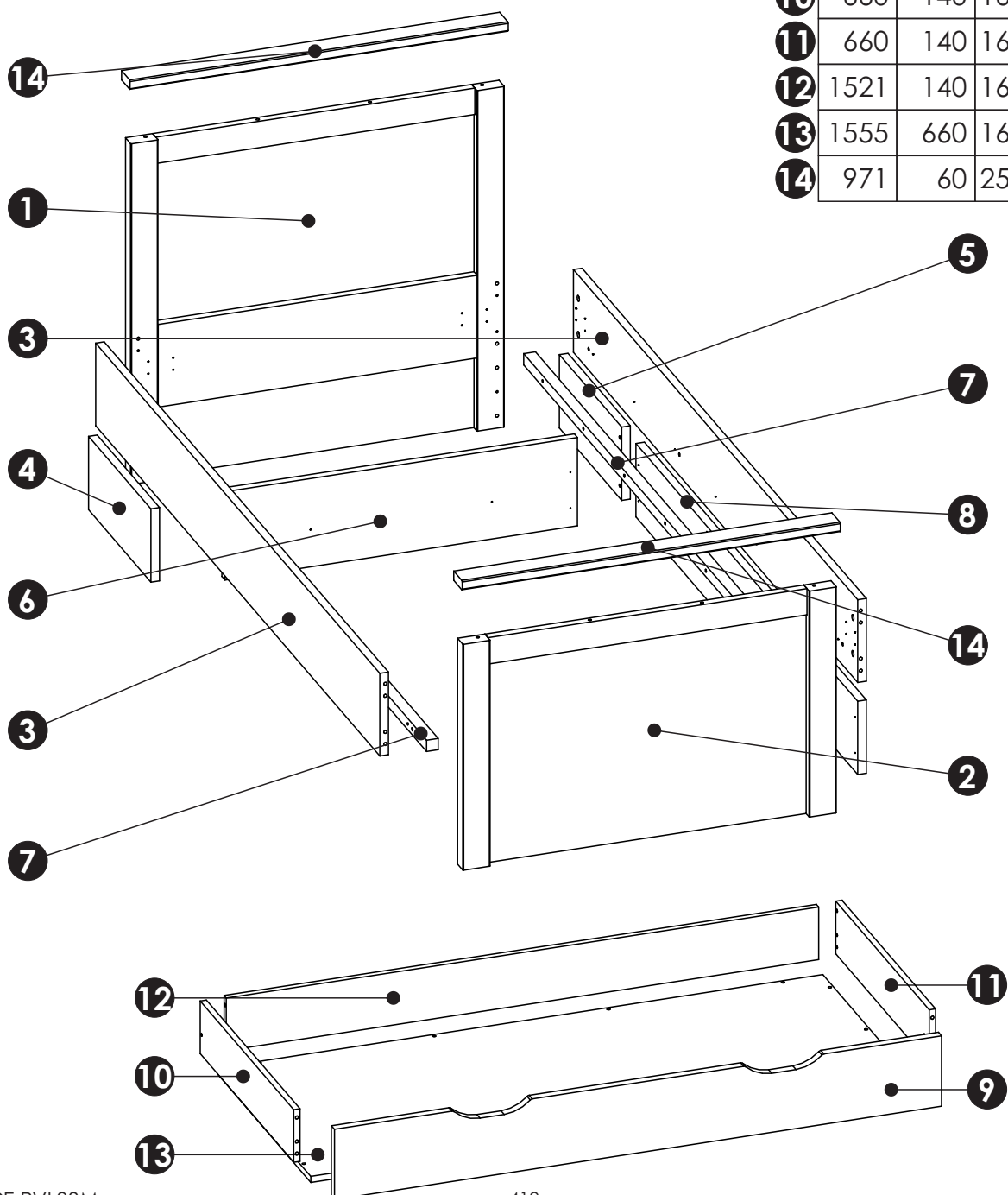
A0	8 x 24 mm	x8	A1	8 x 35 mm	x36	C2	5 x 13 mm	x32
E0		x14	E1	15 x 12 mm	x18	F1	6 x 34 mm	x18
G0		x12	G1	7 x 50 mm	x12	I5	3 x 13 mm	x12
I10	3,5 x 22 mm	x2	J10	4 x 45 mm	x14	M		x1
N1	3 x 16 mm	x10	N2	3,5 x 16 mm	x8	O2		x11
O5		x6	O15		x2	Q8		x2
S		x1	W		x4	X5		x4
ET		x1						

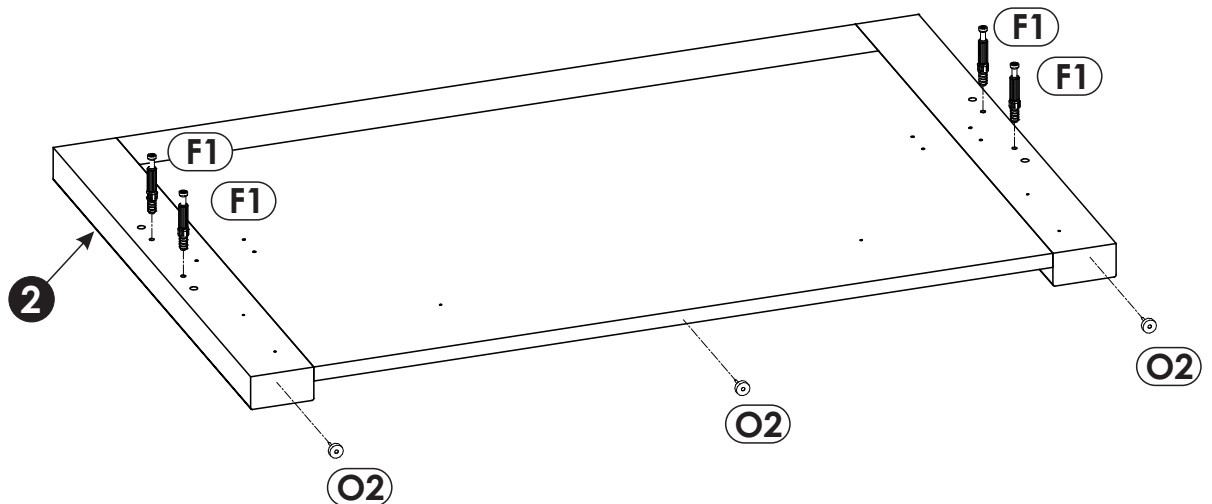
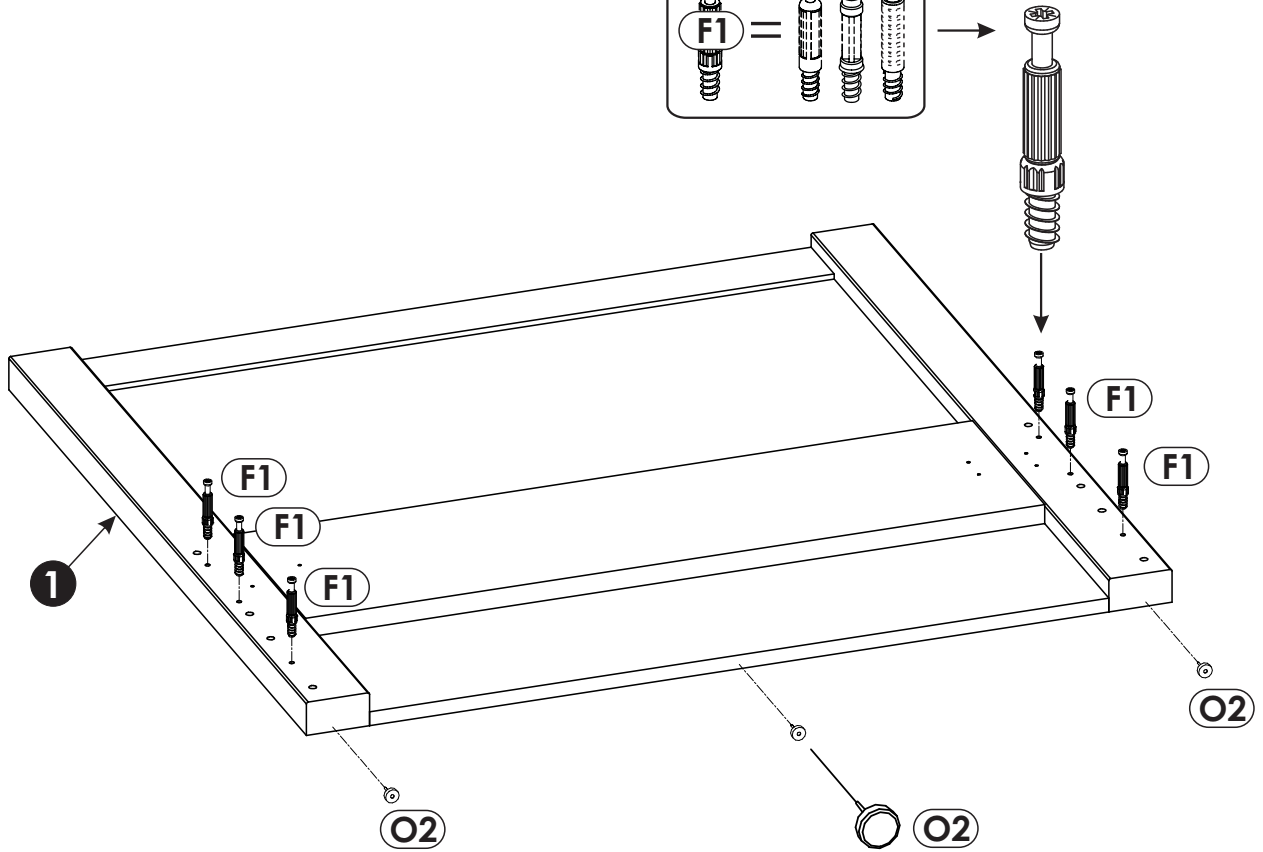
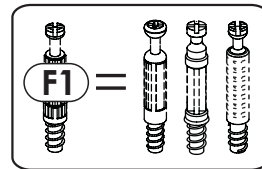
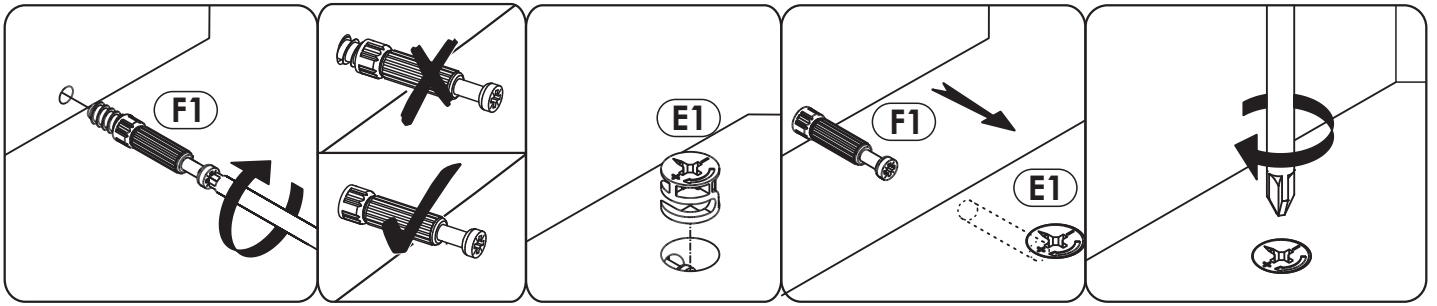


PROVENCE PVL03M

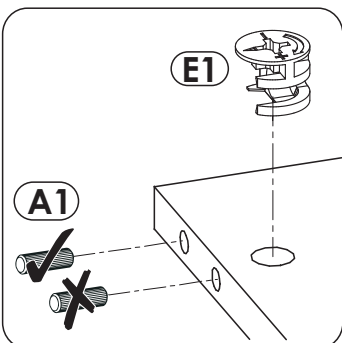
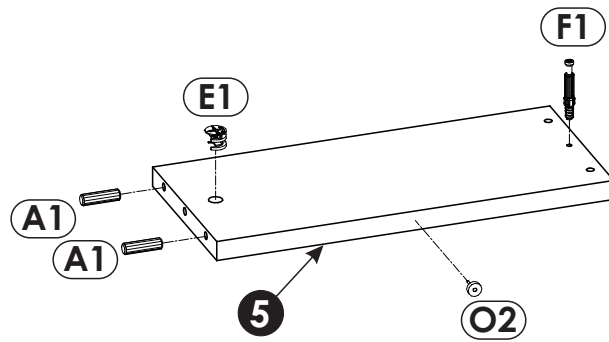
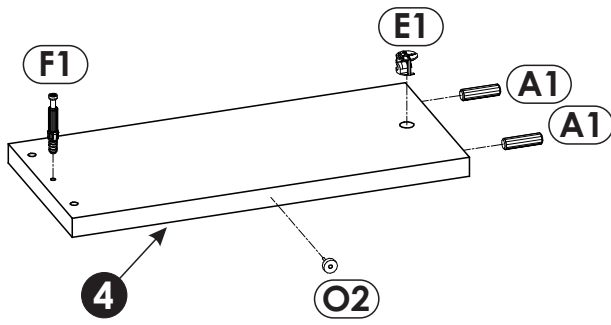
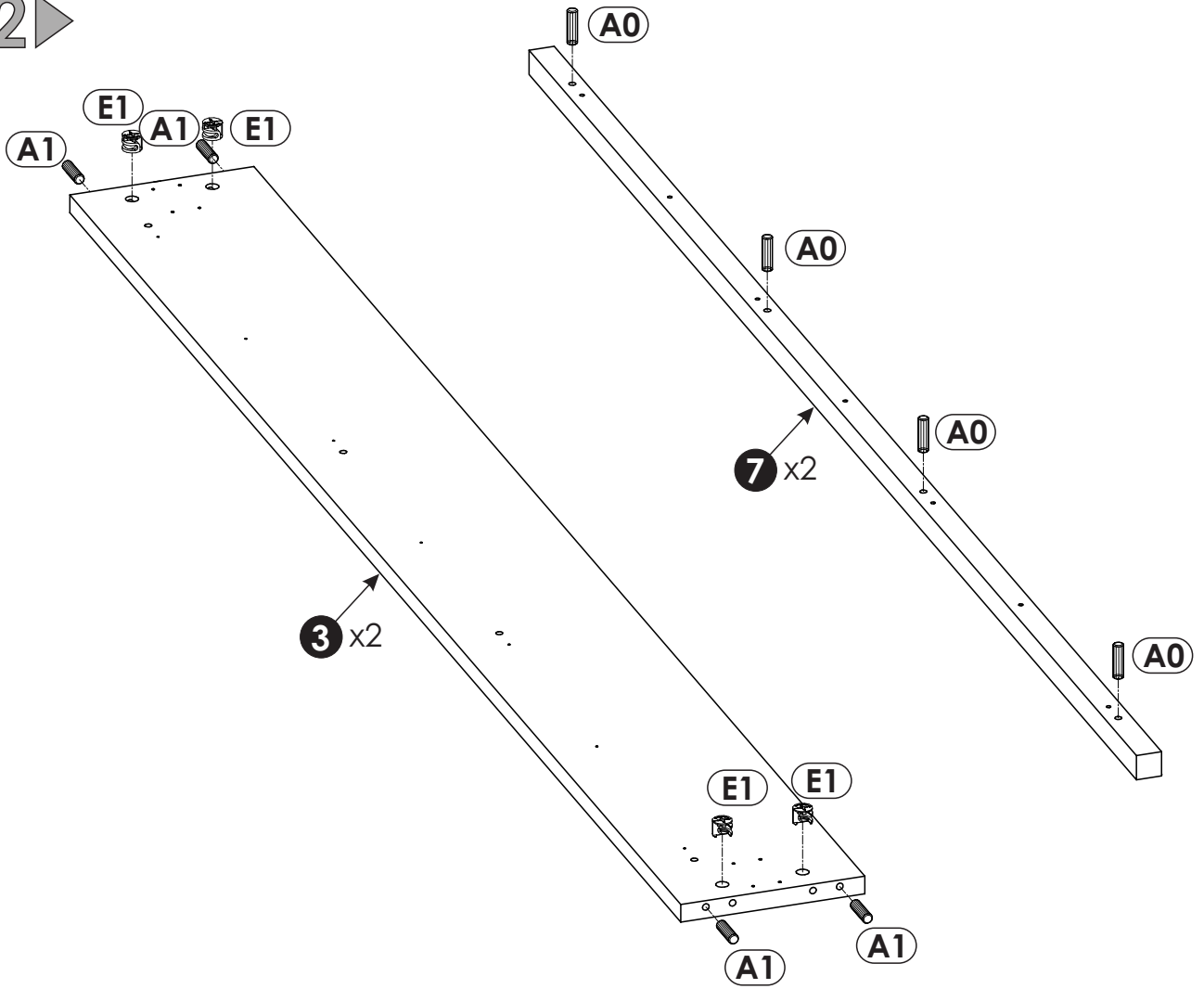


1	906	959	38	x1	3/3
2	601	959	38	x1	2/3
3	2005	220	22	x2	1/3
4	440	195	22	x1	2/3
5	440	195	22	x1	2/3
6	905	235	22	x1	1/3
7	1993	30	30	x2	1/3
8	1565	195	22	x1	1/3
9	1559	187	22	x1	1/3
10	660	140	16	x1	2/3
11	660	140	16	x1	2/3
12	1521	140	16	x1	1/3
13	1555	660	16	x1	2/3
14	971	60	25	x2	1/3

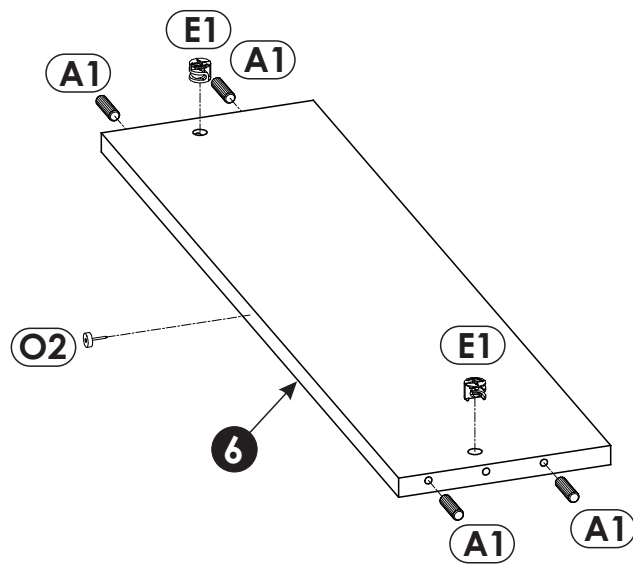
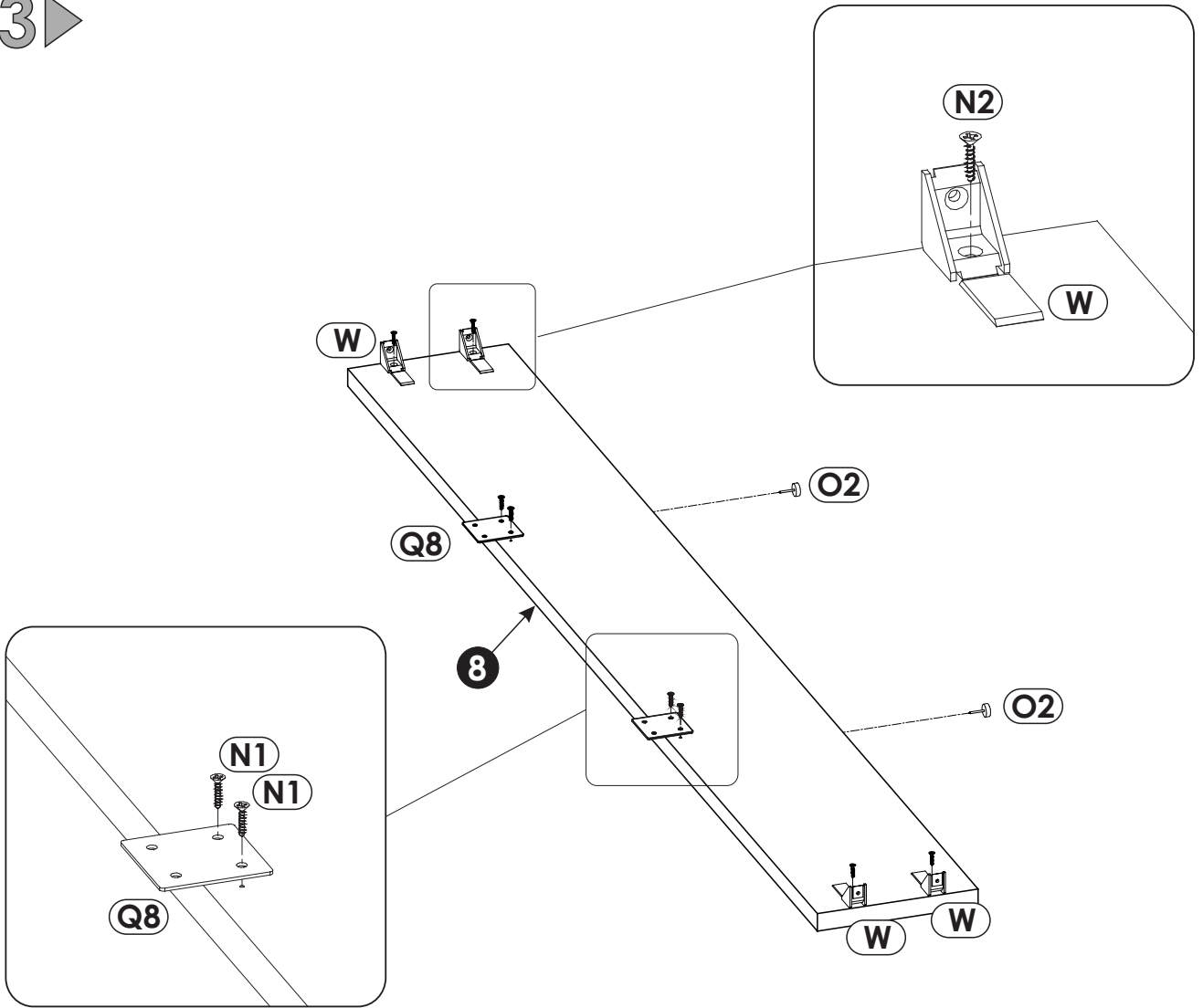




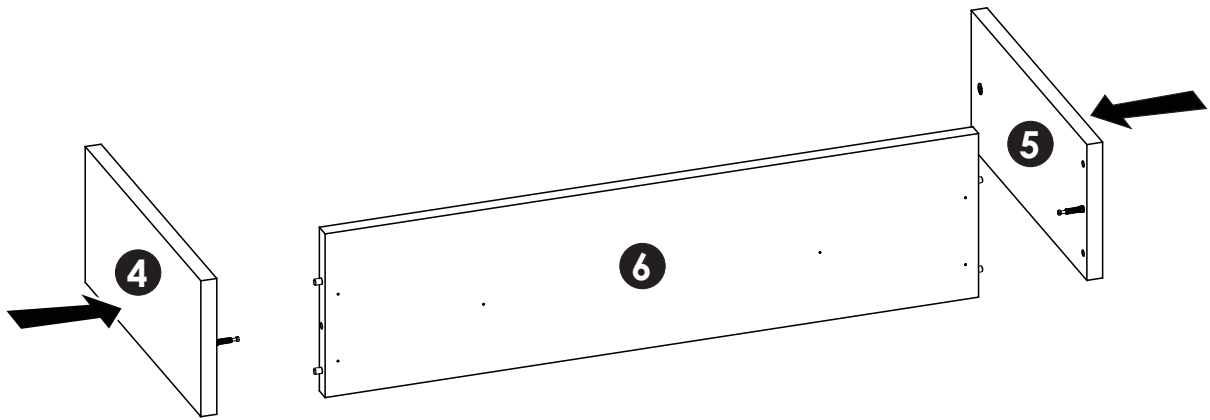
2 ▶



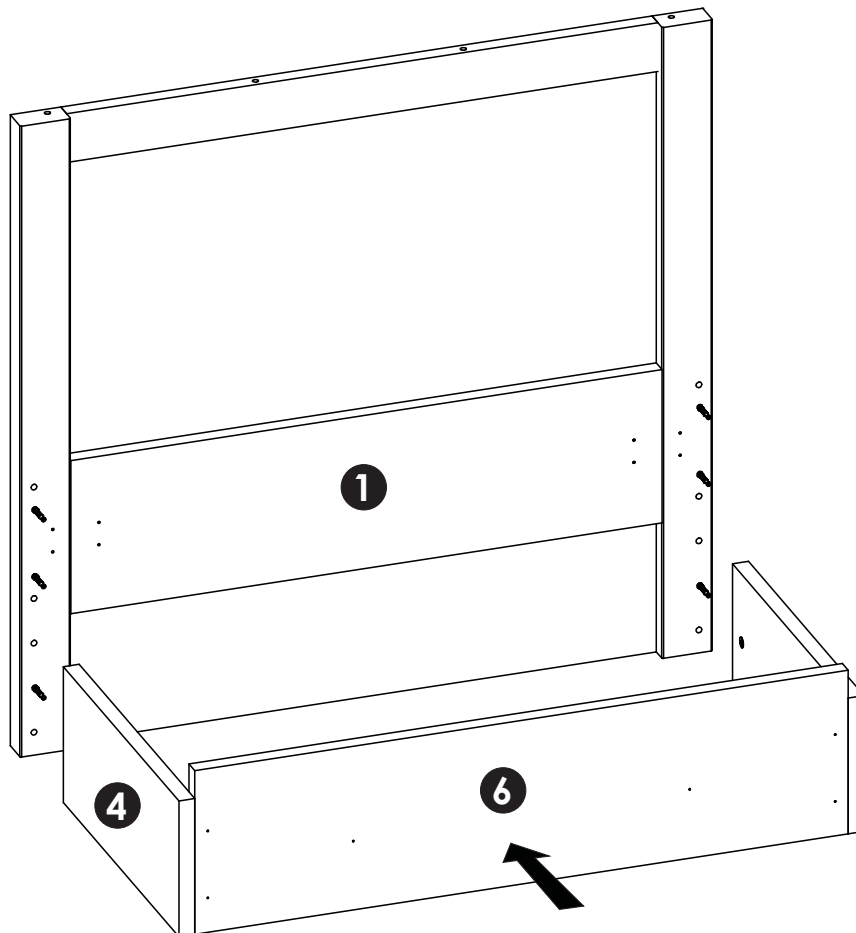
3 ▶



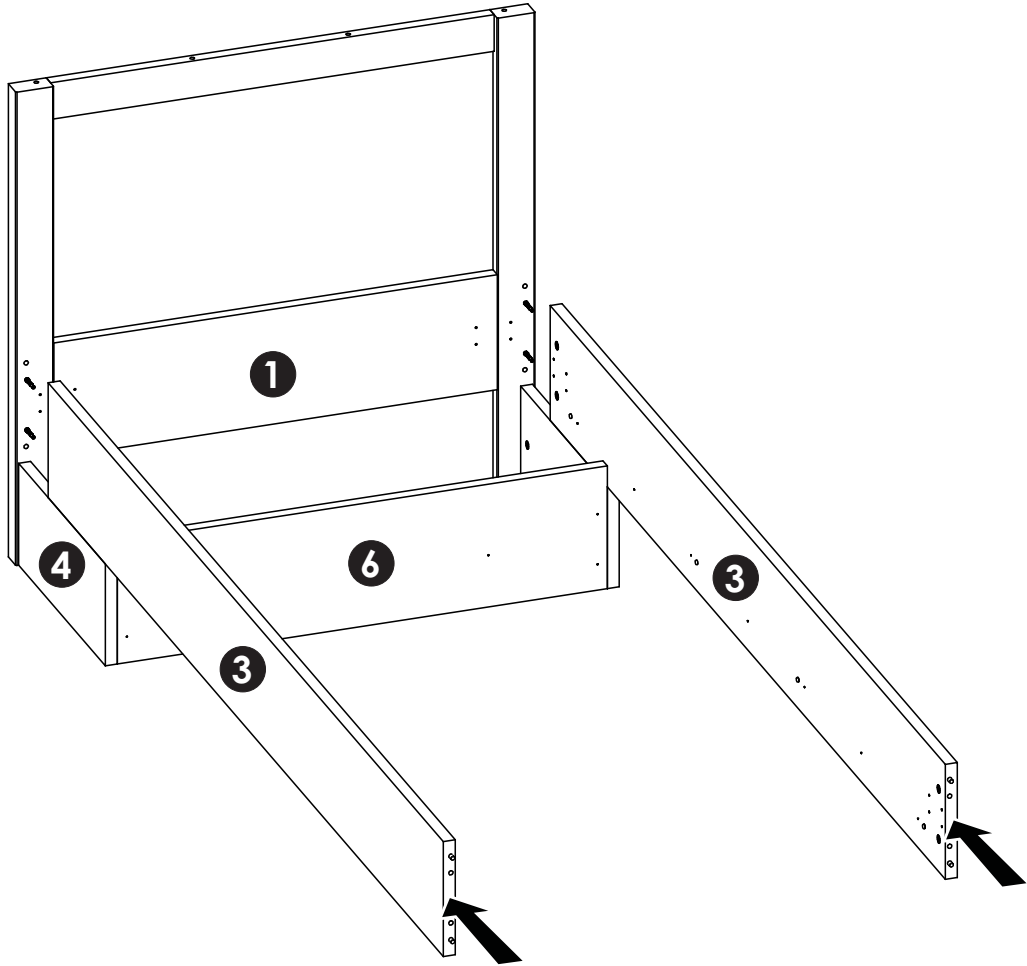
4 ▶



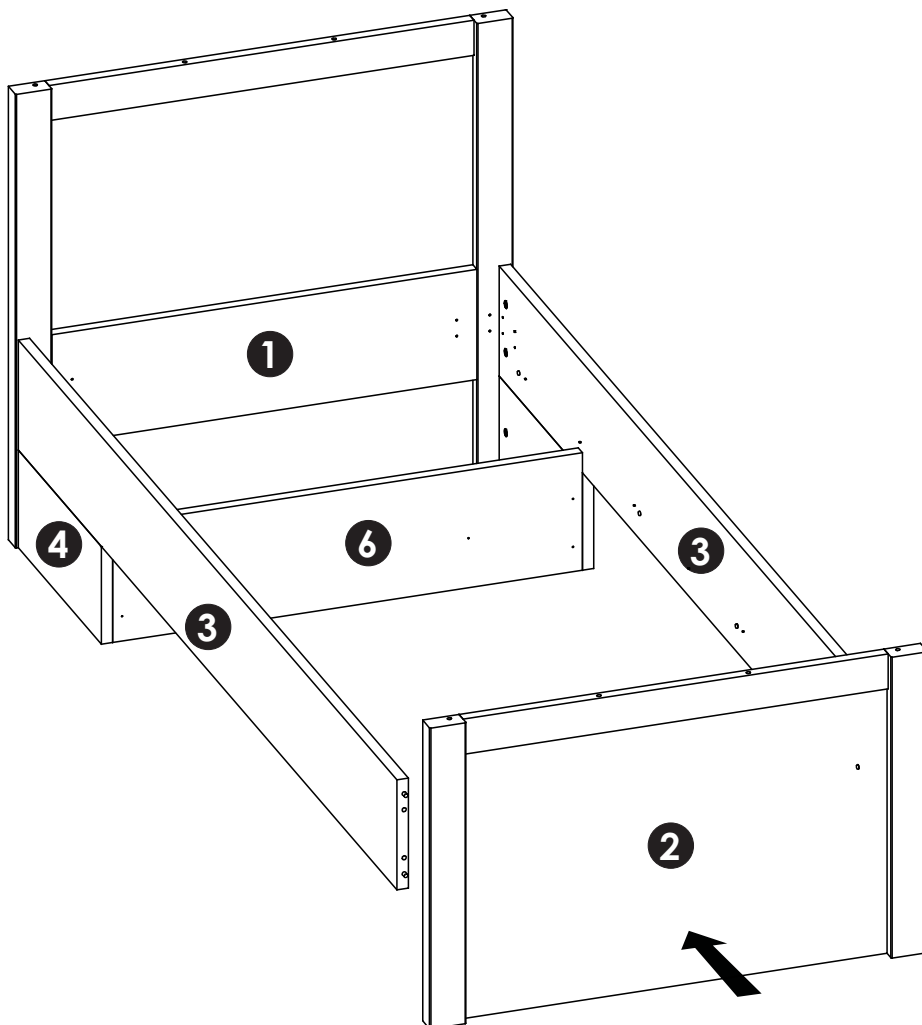
5 ▶



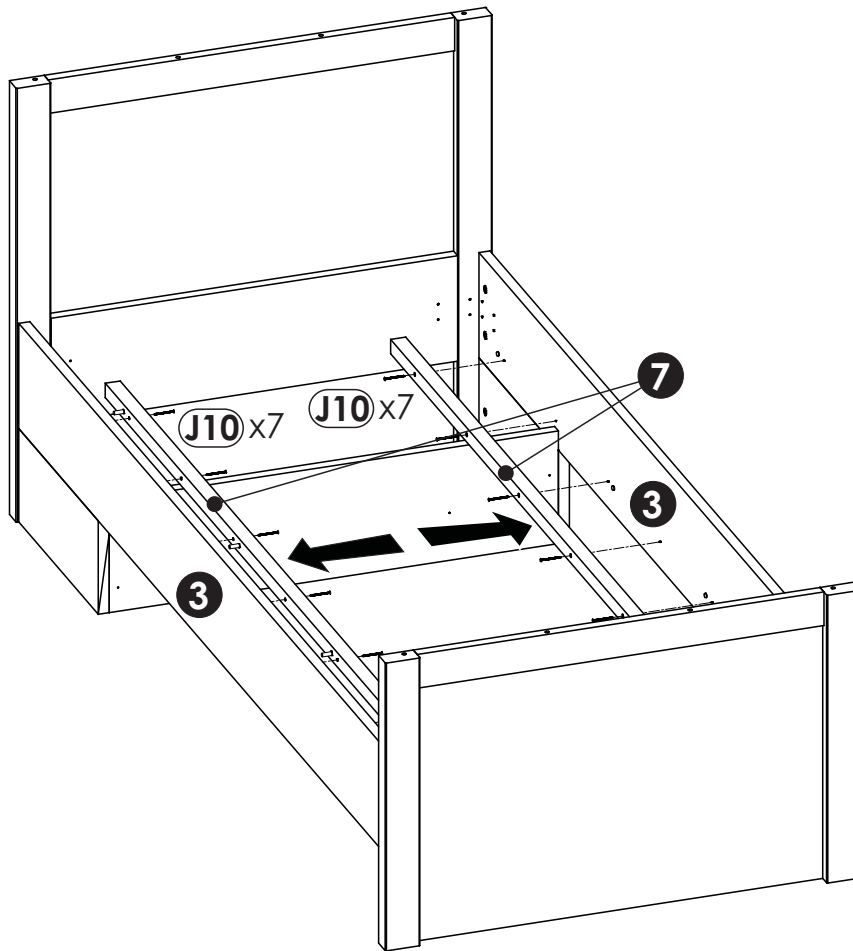
6 ▶



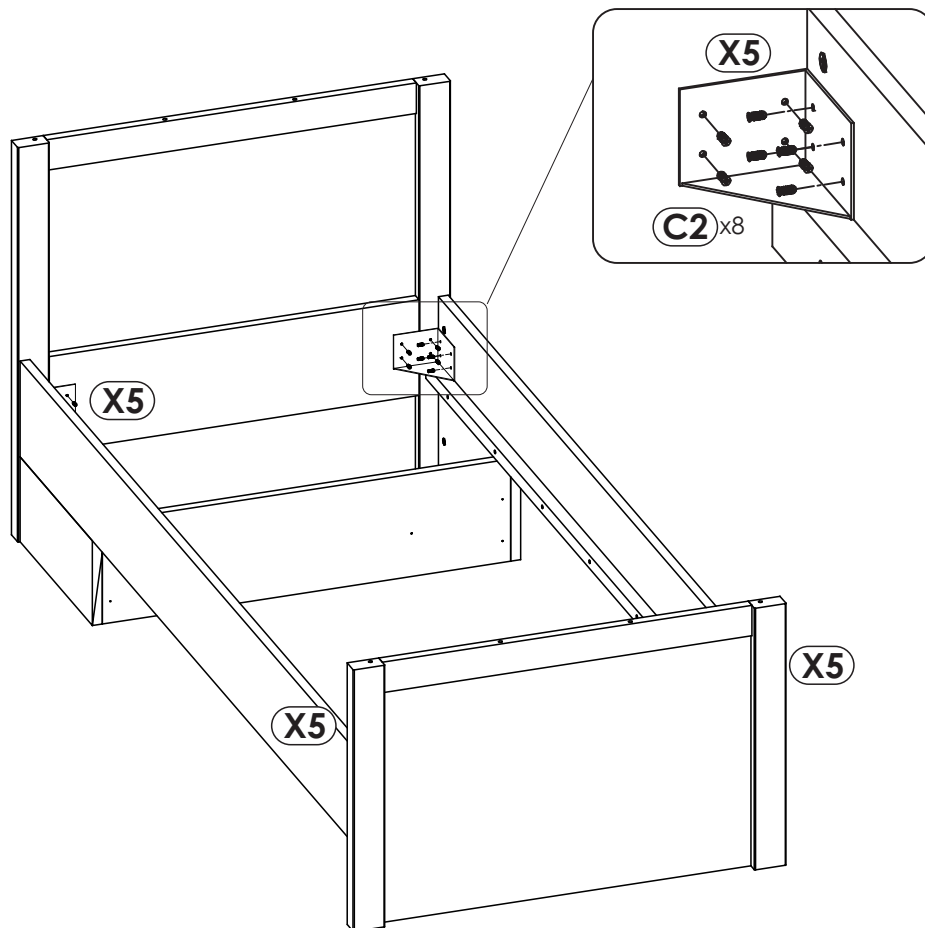
7 ▶

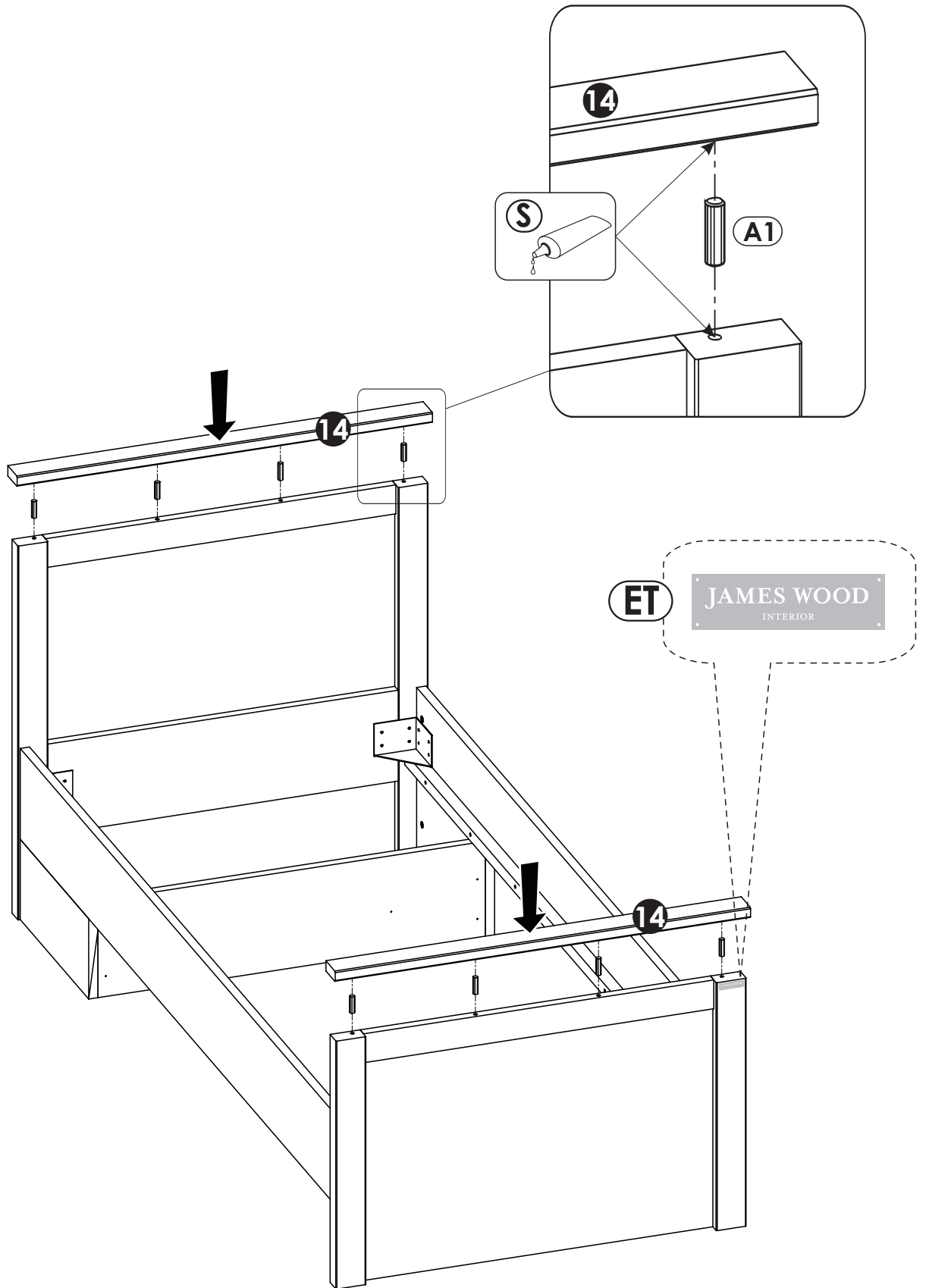


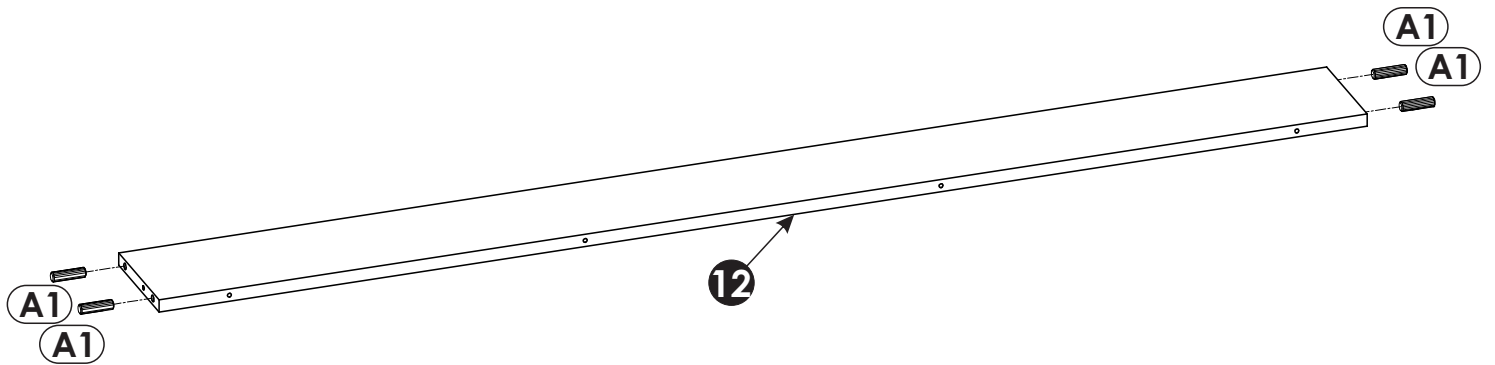
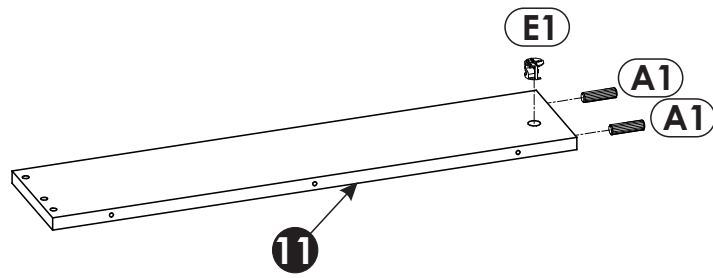
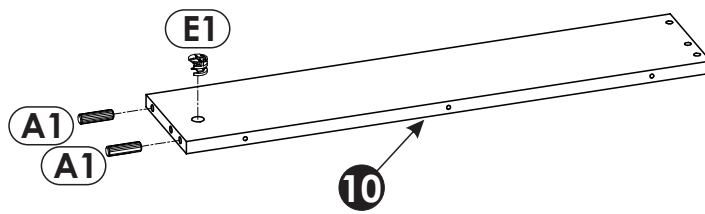
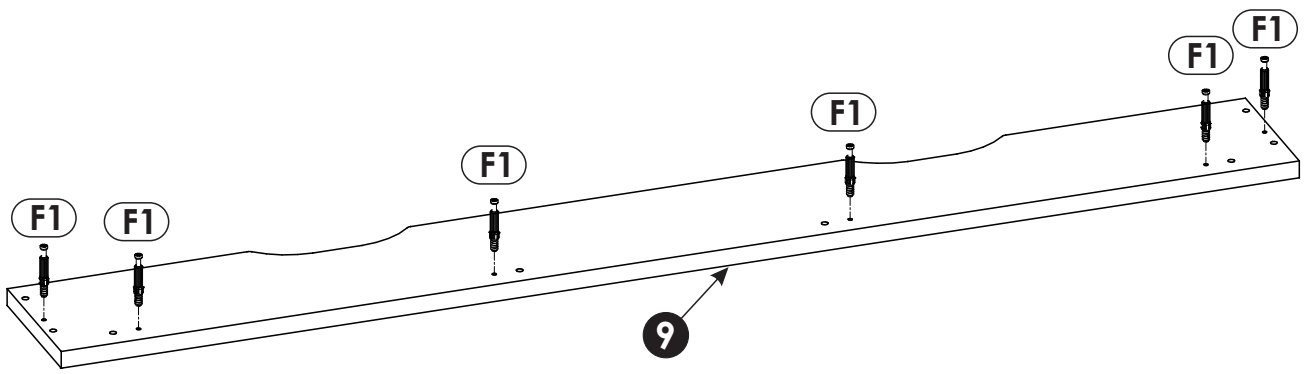
8 ▶



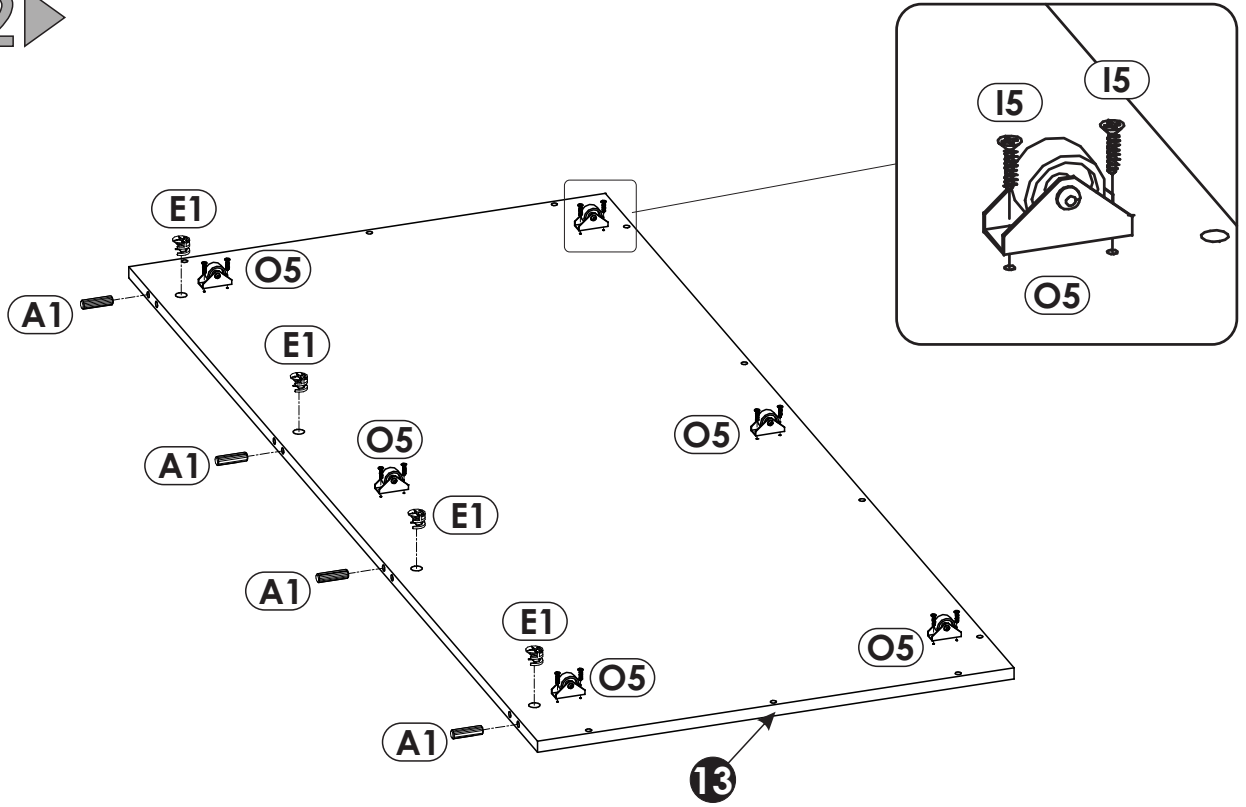
9 ▶



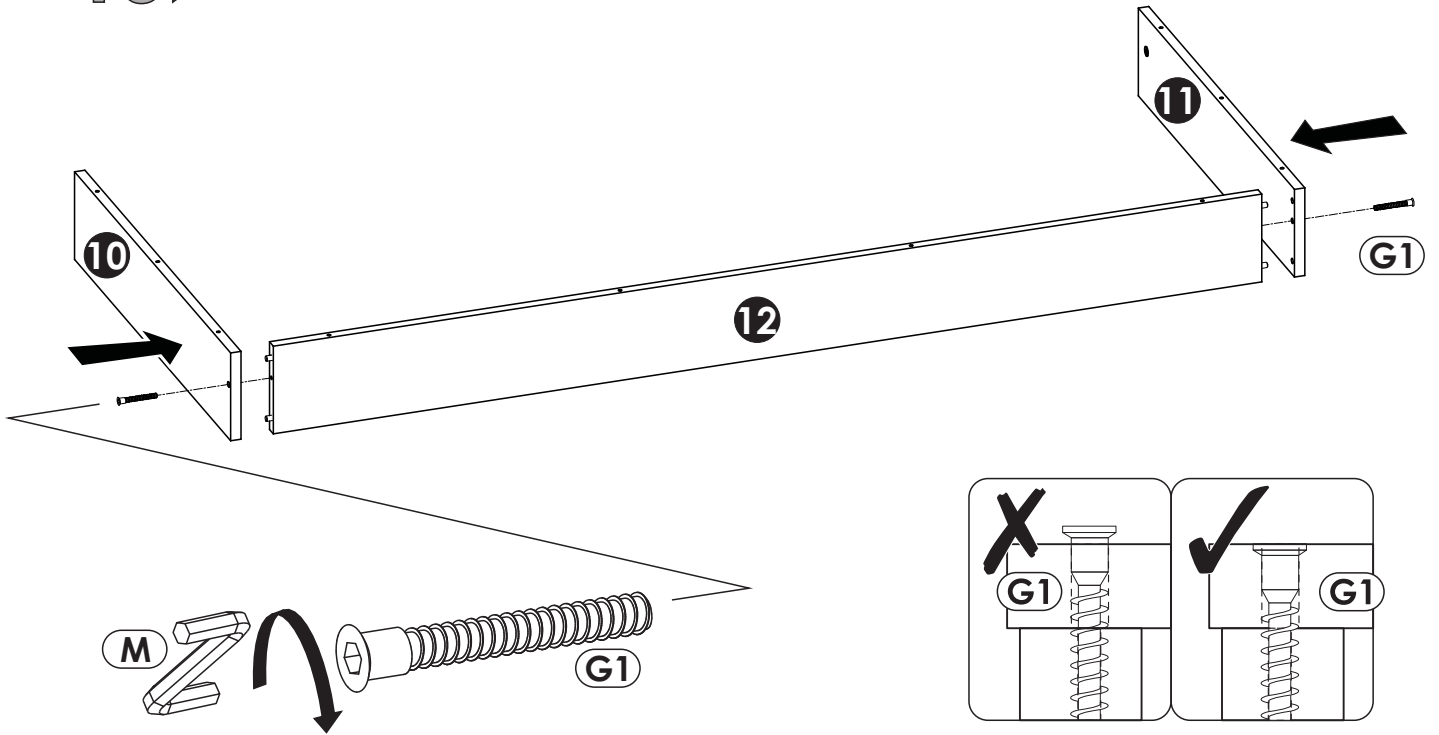




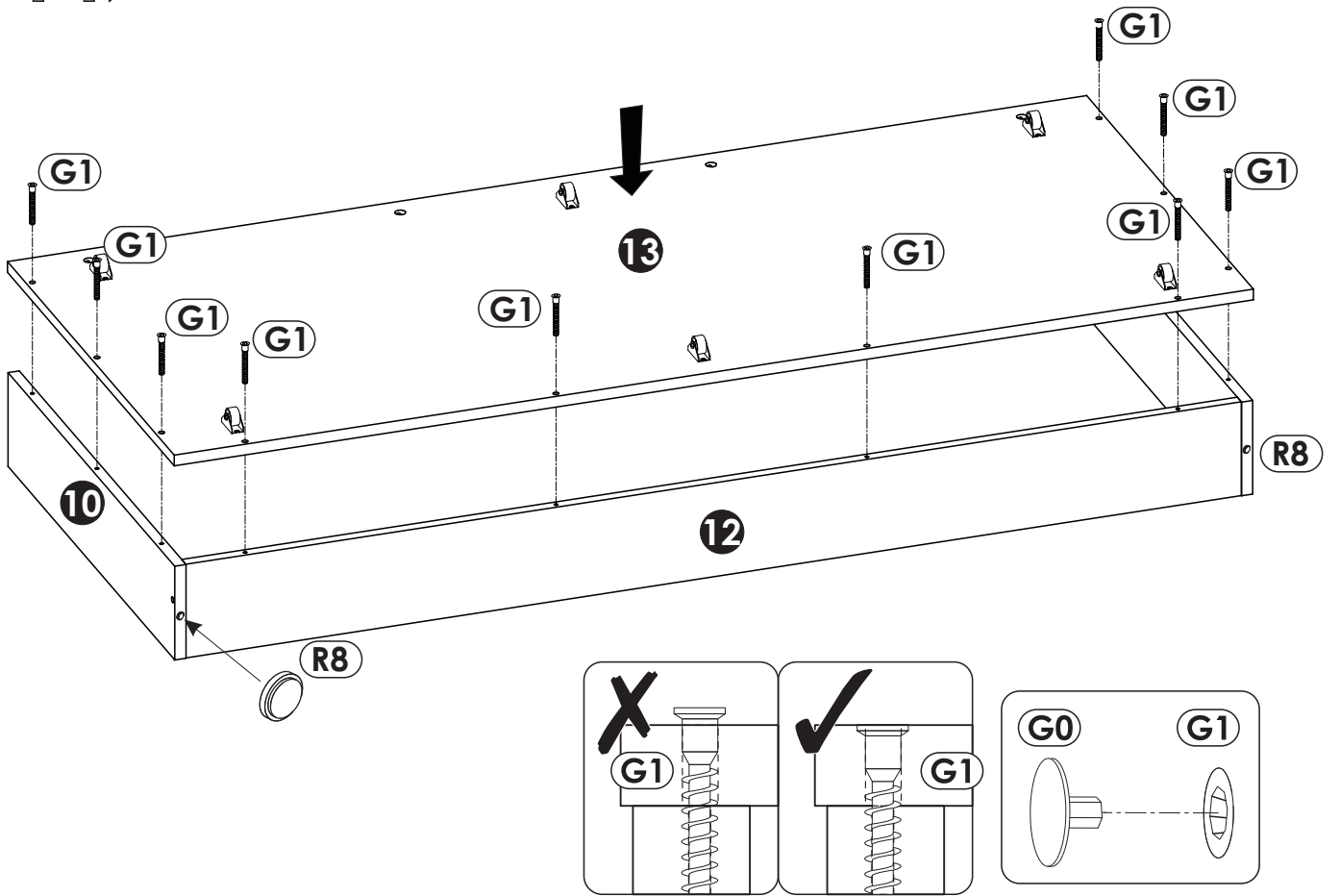
12 ▶



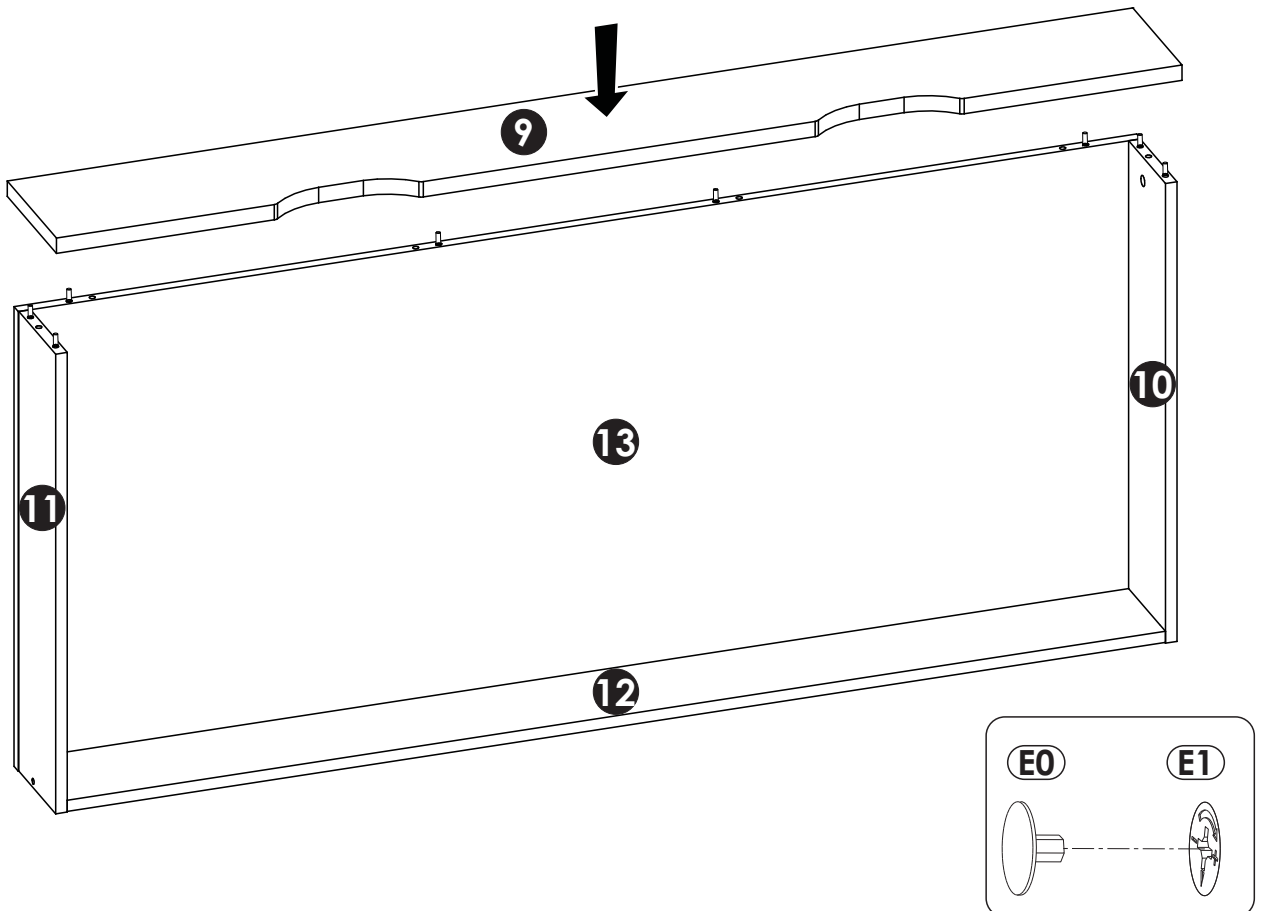
13 ▶



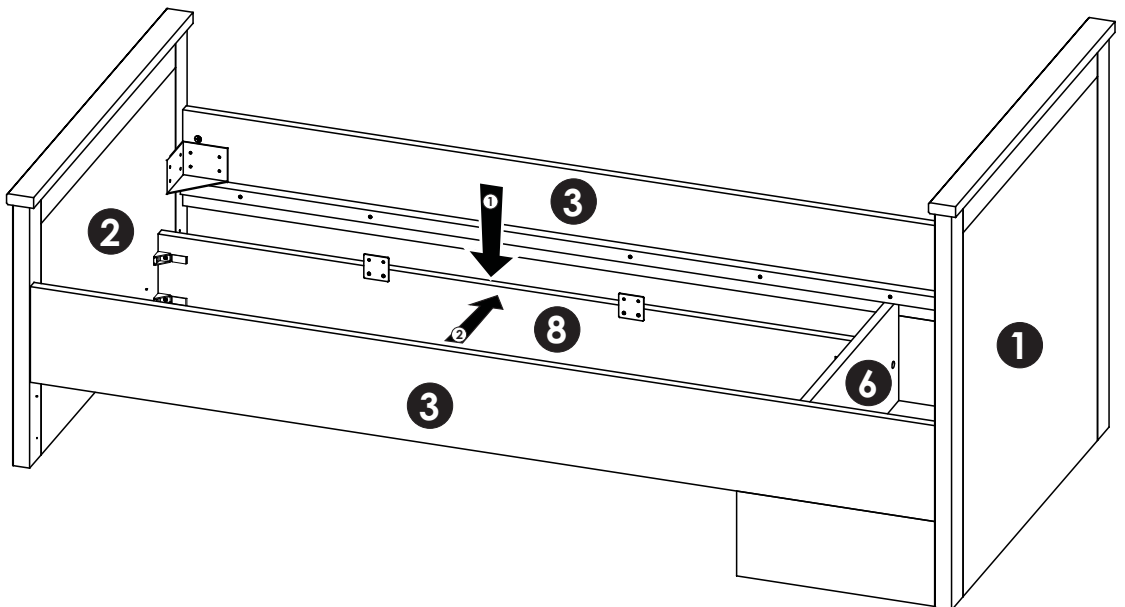
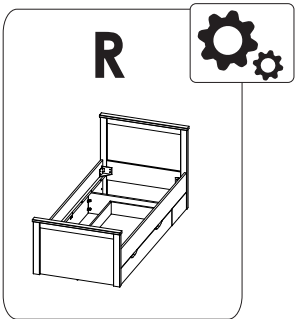
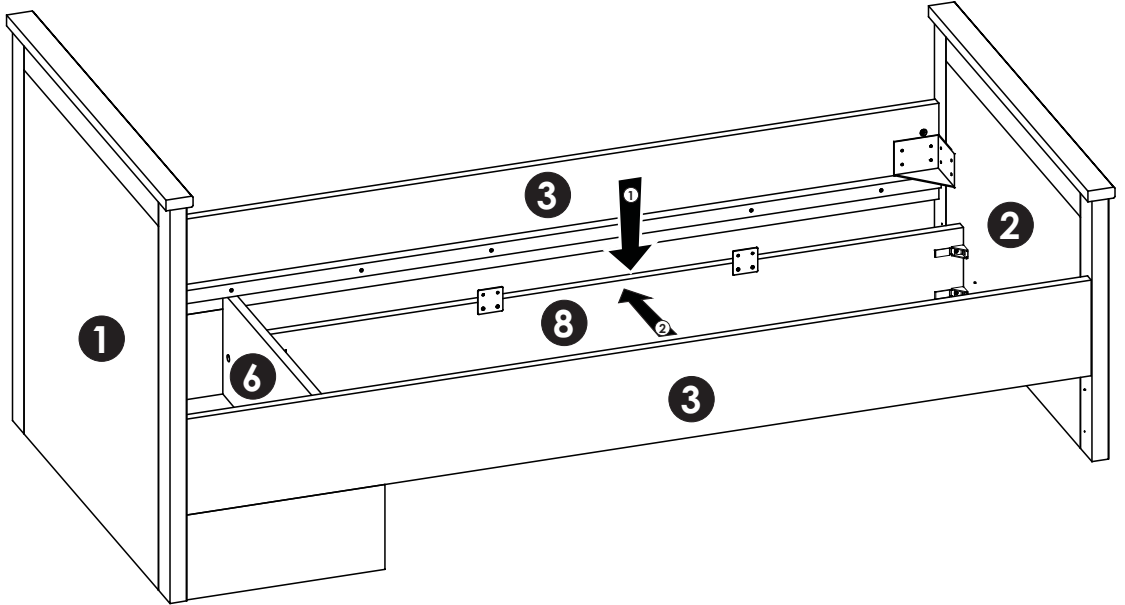
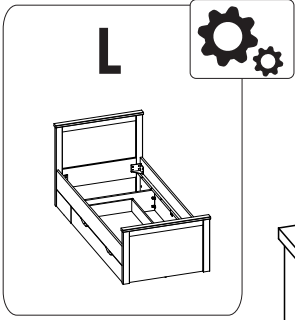
14 ▶



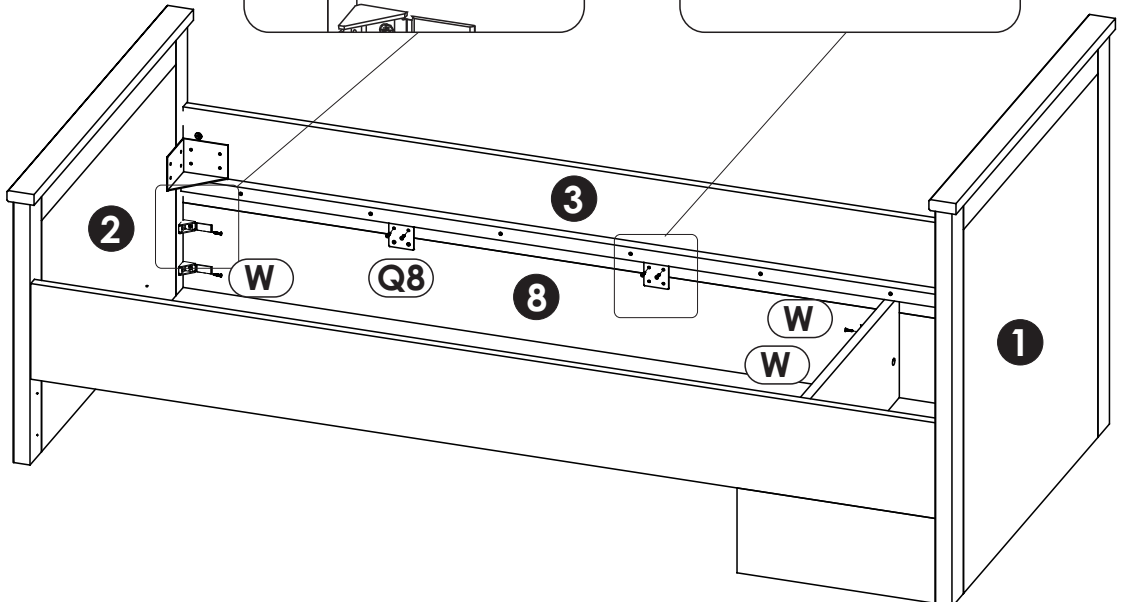
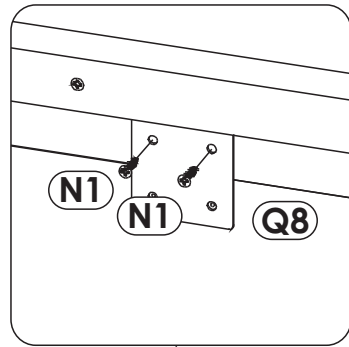
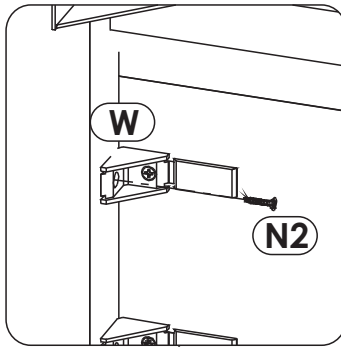
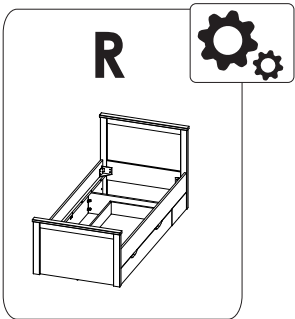
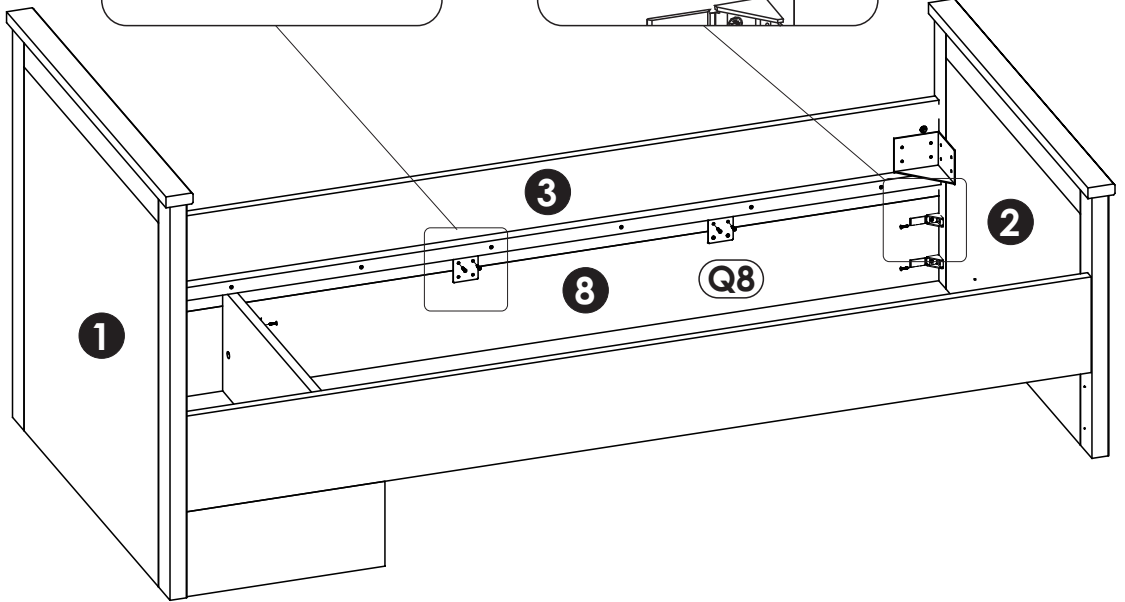
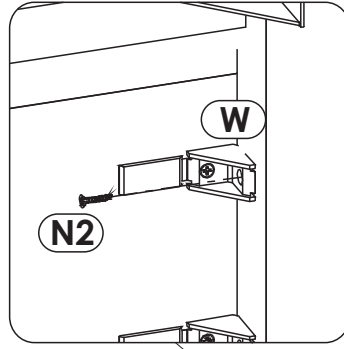
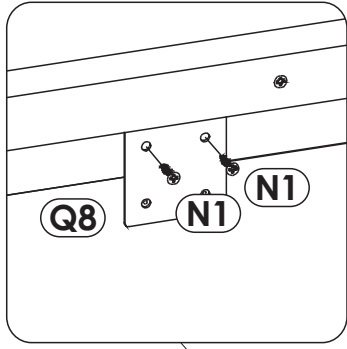
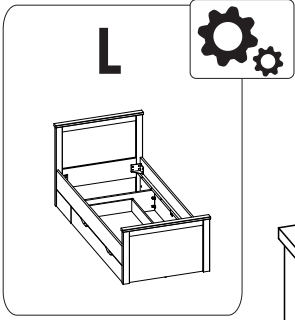
15 ▶



16 ▶



17▶



18 ▶

