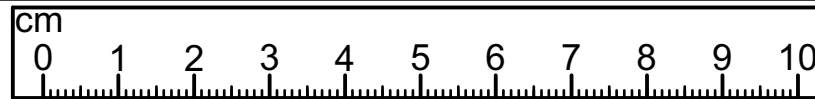
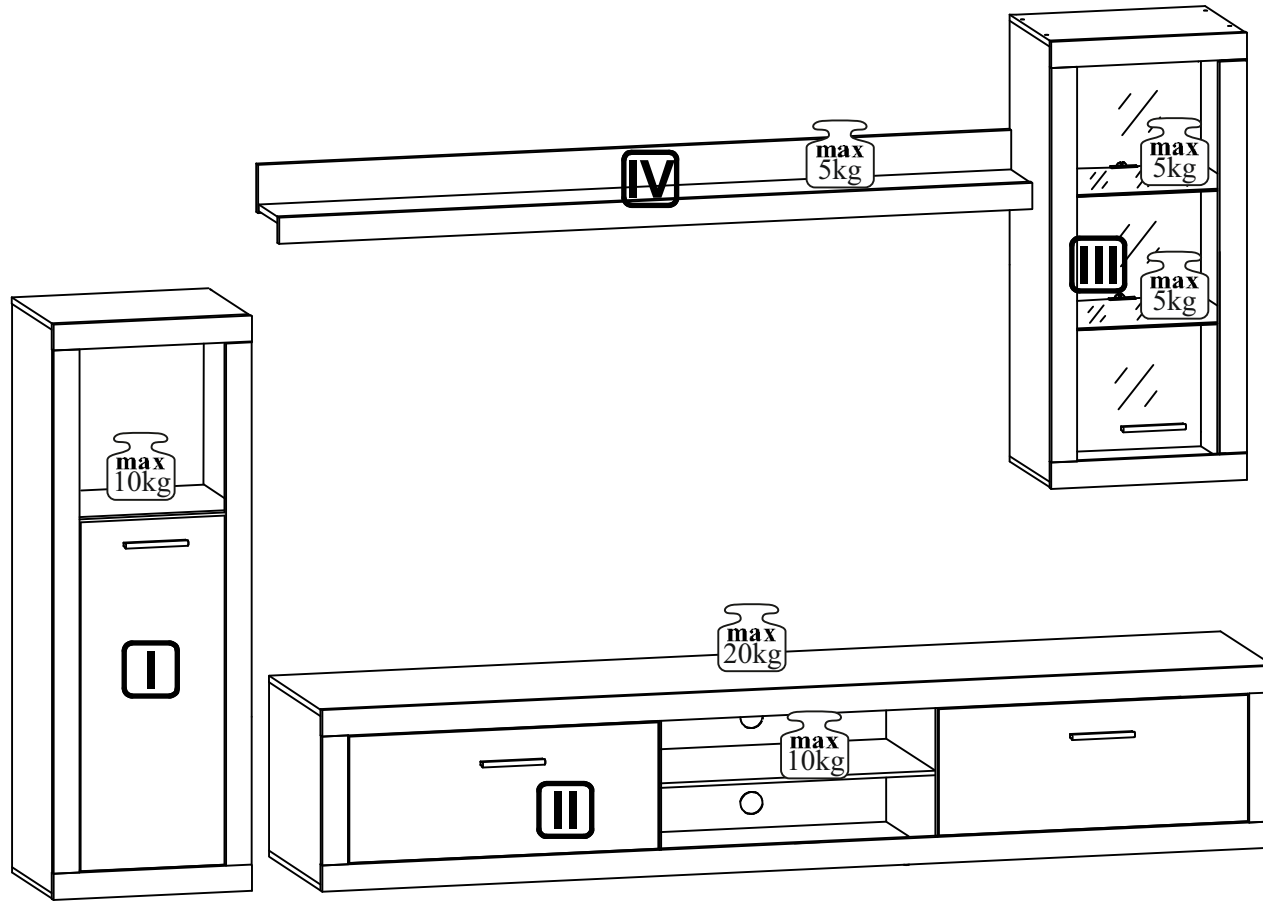
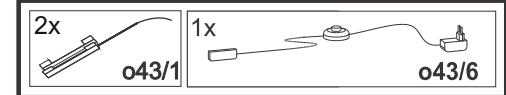
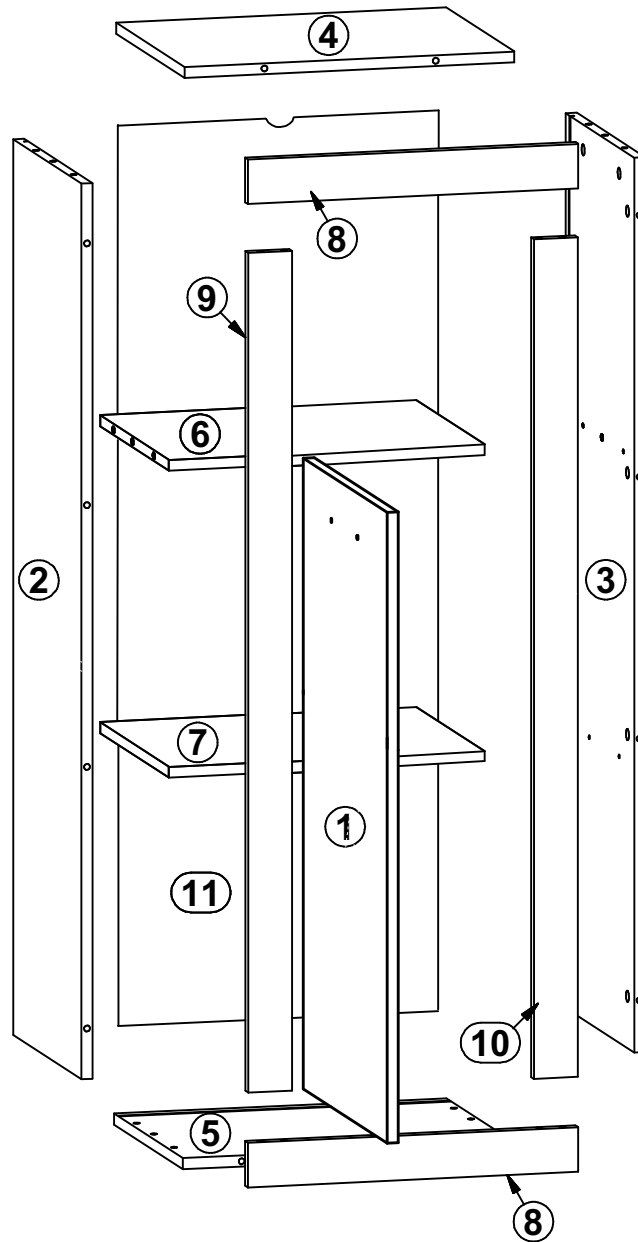
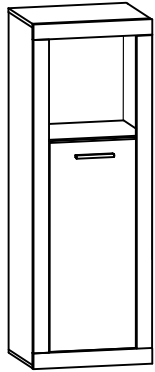


240 min

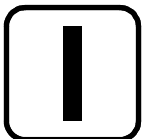


6x a99	2x a44	2x b33	6x b43	4x c235	8x d1	8x d3	24x e1	18x e2	4x e5	4x e4	26x f1	20x f6
6x f35	2x g2	10x k43	12x l1	42x l2	2x m3	2x n122	2x o1	6x p1	6x p9	4x p21	2x p59	16x p51
4x p75	69x r1	69x r42	4x s1	20x s2	2x s67	1x z1	2x n14	2x p17	4x p38			

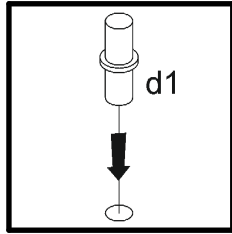
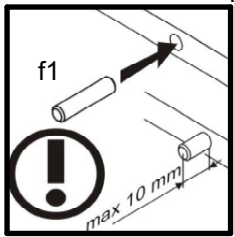
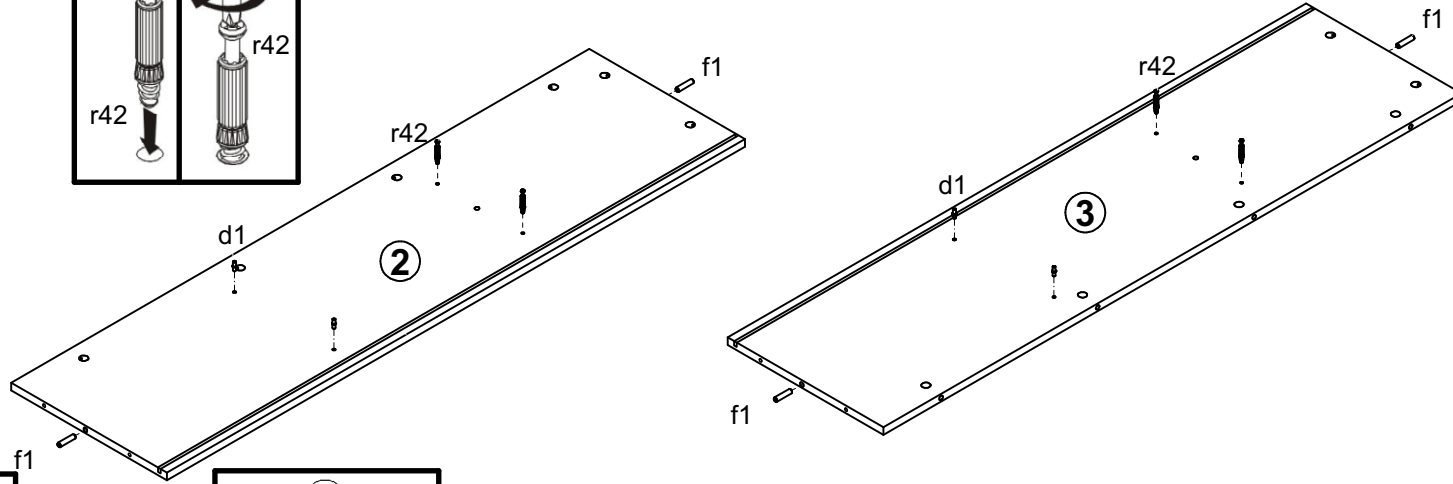
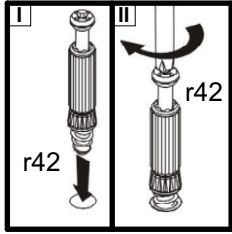




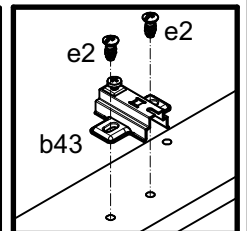
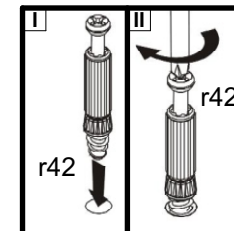
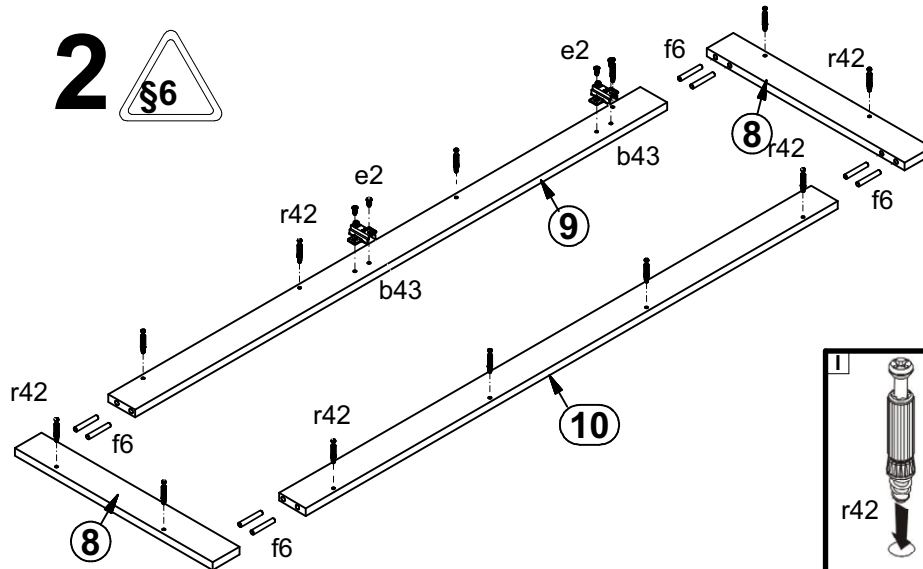
A	B	C (mm)		D
1	N32-001	740	275	3/4
2	N17-105	1160	320	3/4
3	N32-101	1160	320	3/4
4	N32-201	399	320	3/4
5	N32-202	399	320	3/4
6	N32-301	366	300	3/4
7	N32-302	366	300	3/4
8	N32-501	400	60	3/4
9	N17-505	1073	60	3/4
10	N32-502	1073	60	3/4
11	N32-901	1170	378	3/4



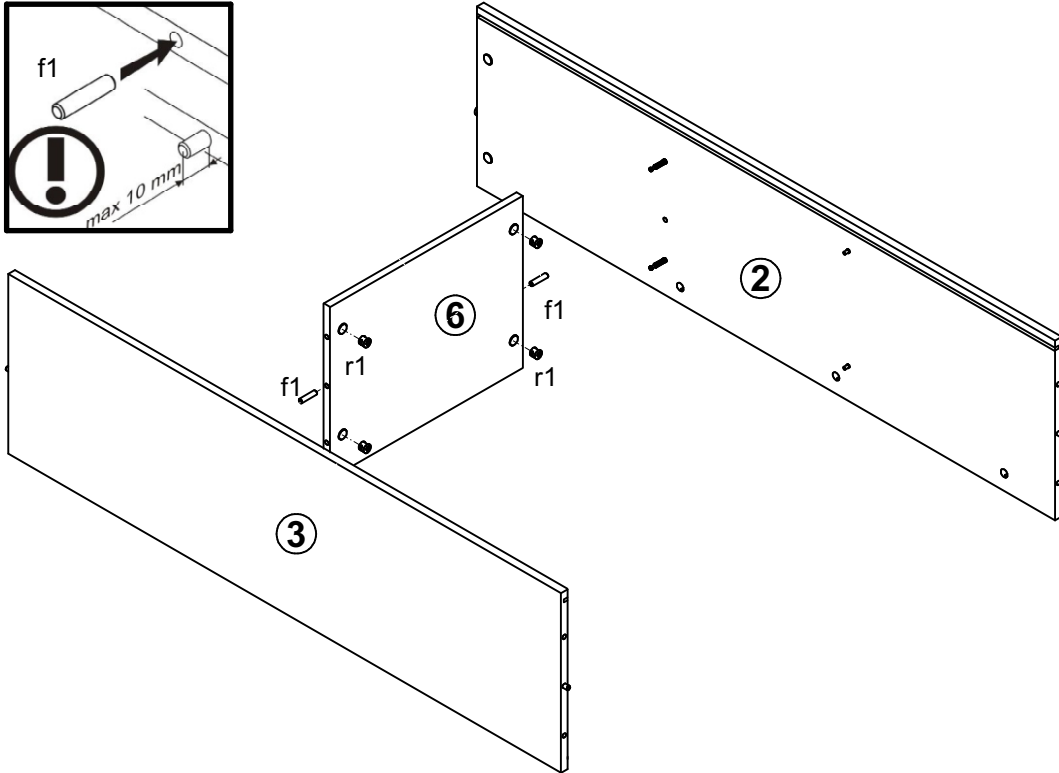
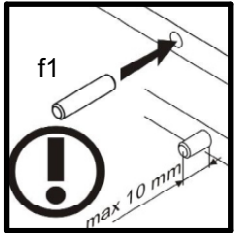
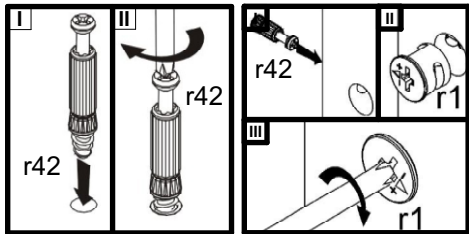
1 



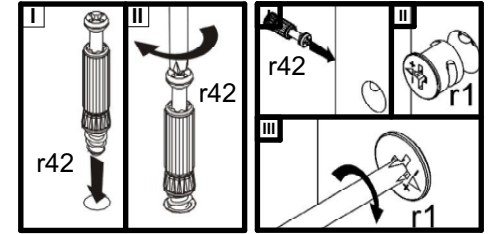
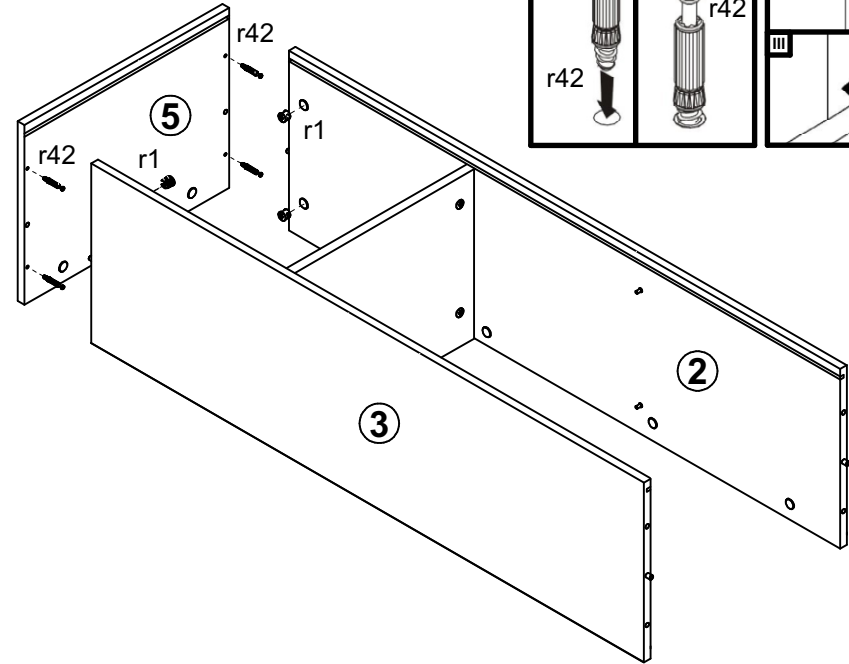
2 



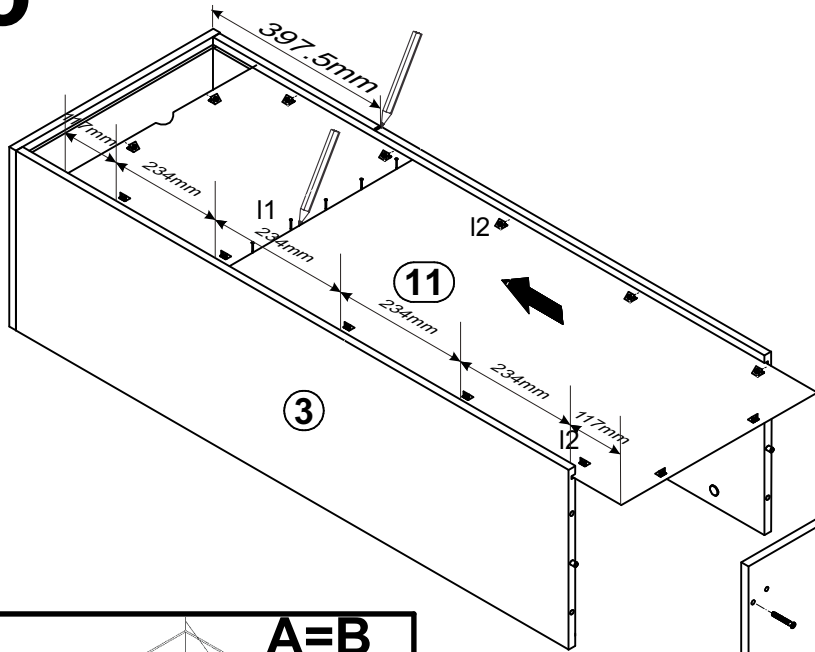
3



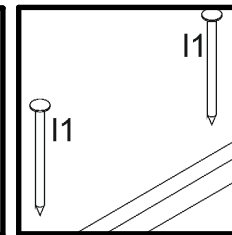
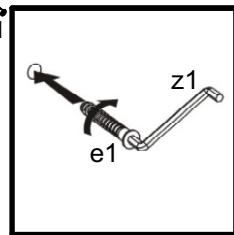
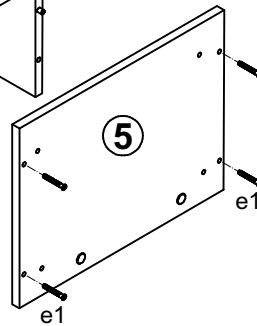
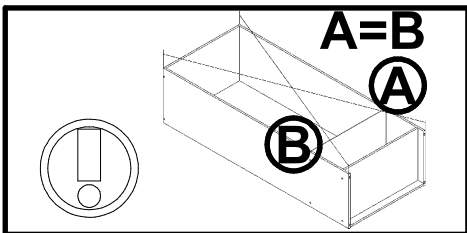
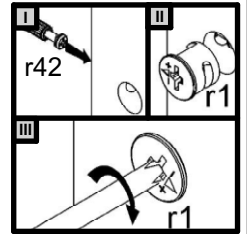
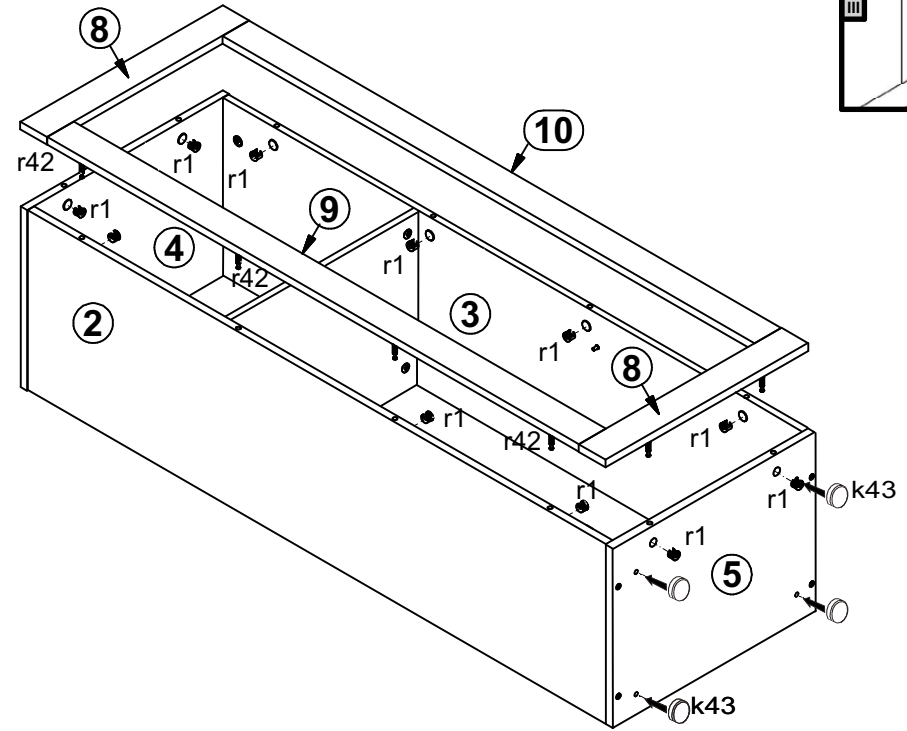
4



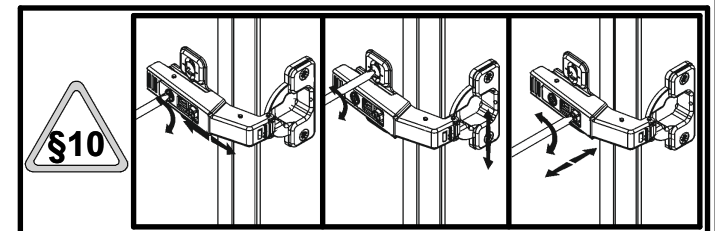
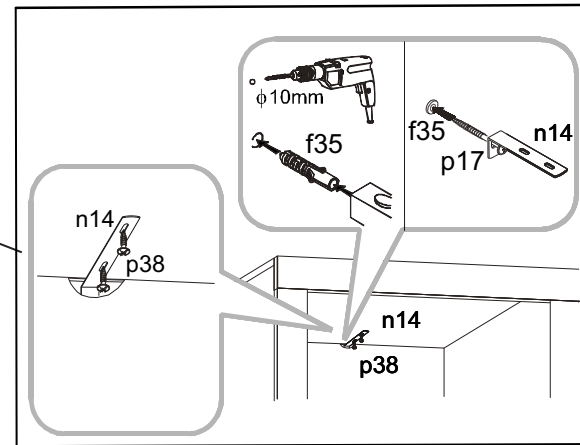
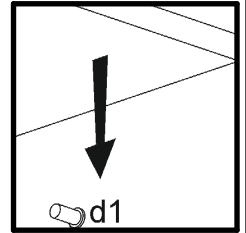
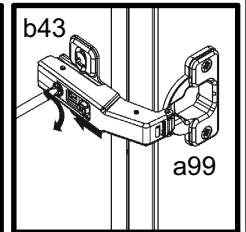
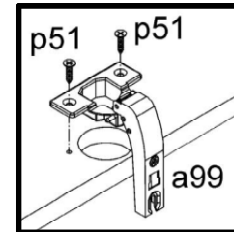
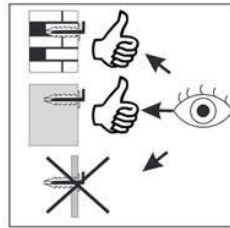
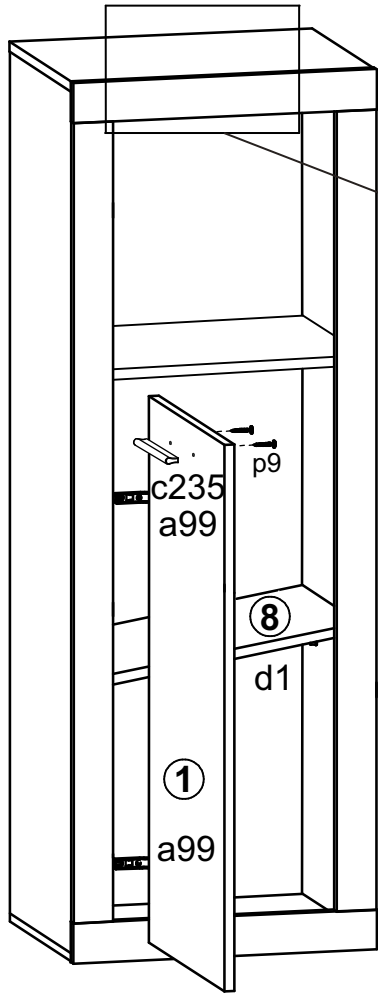
5

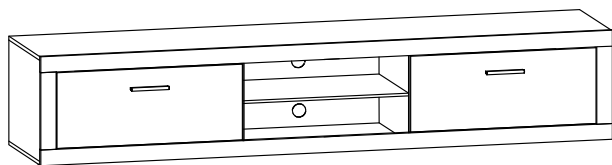


6

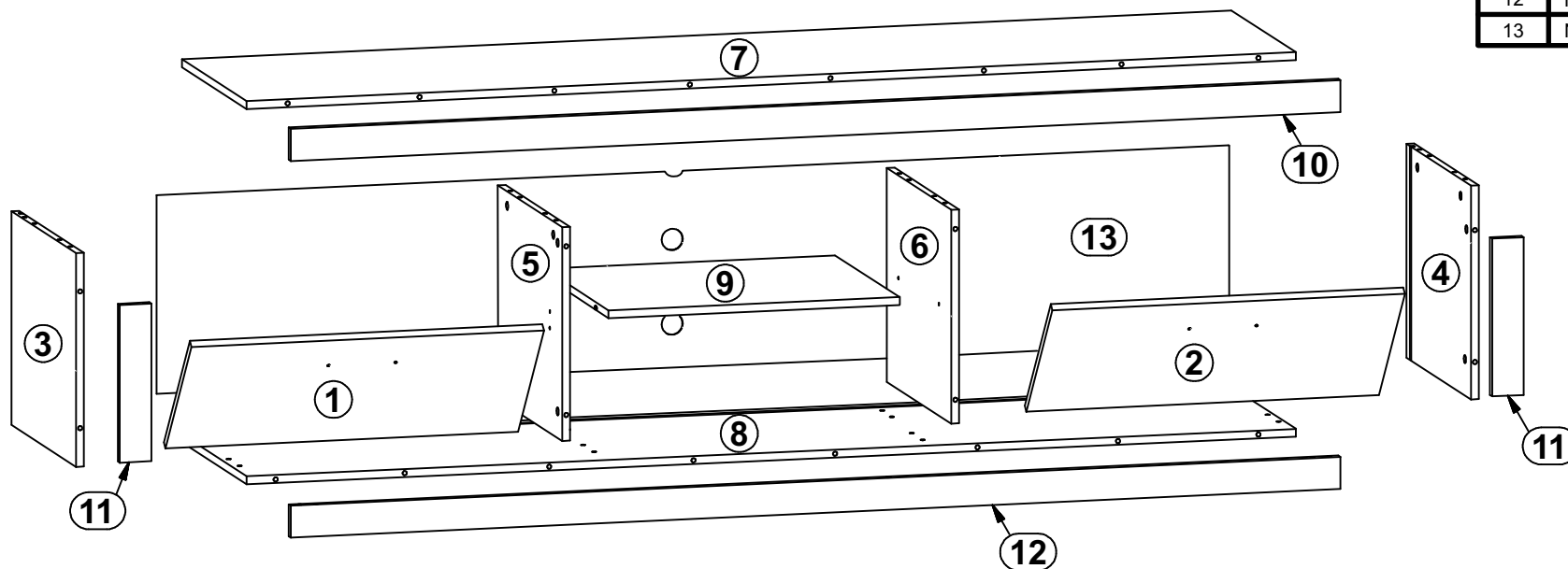


7

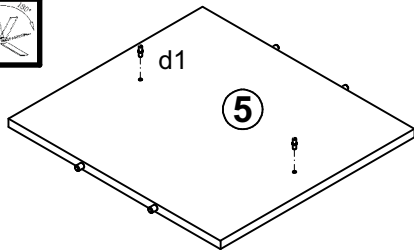
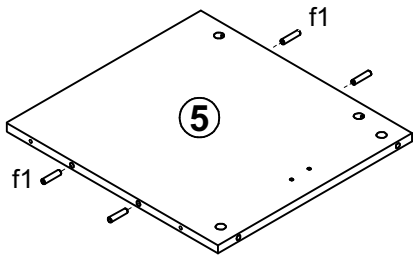
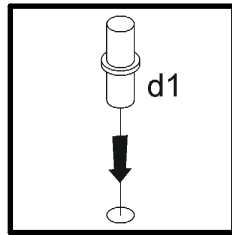
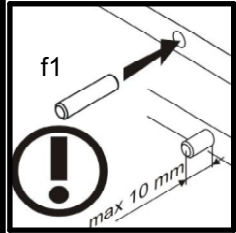
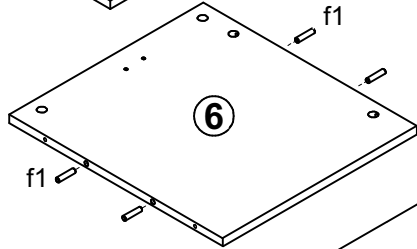
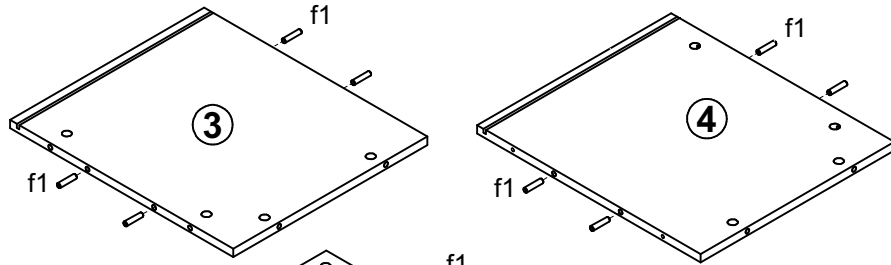




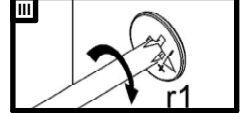
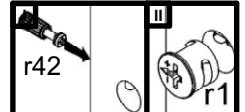
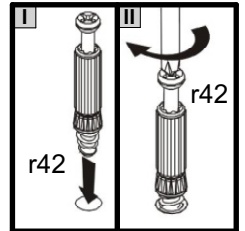
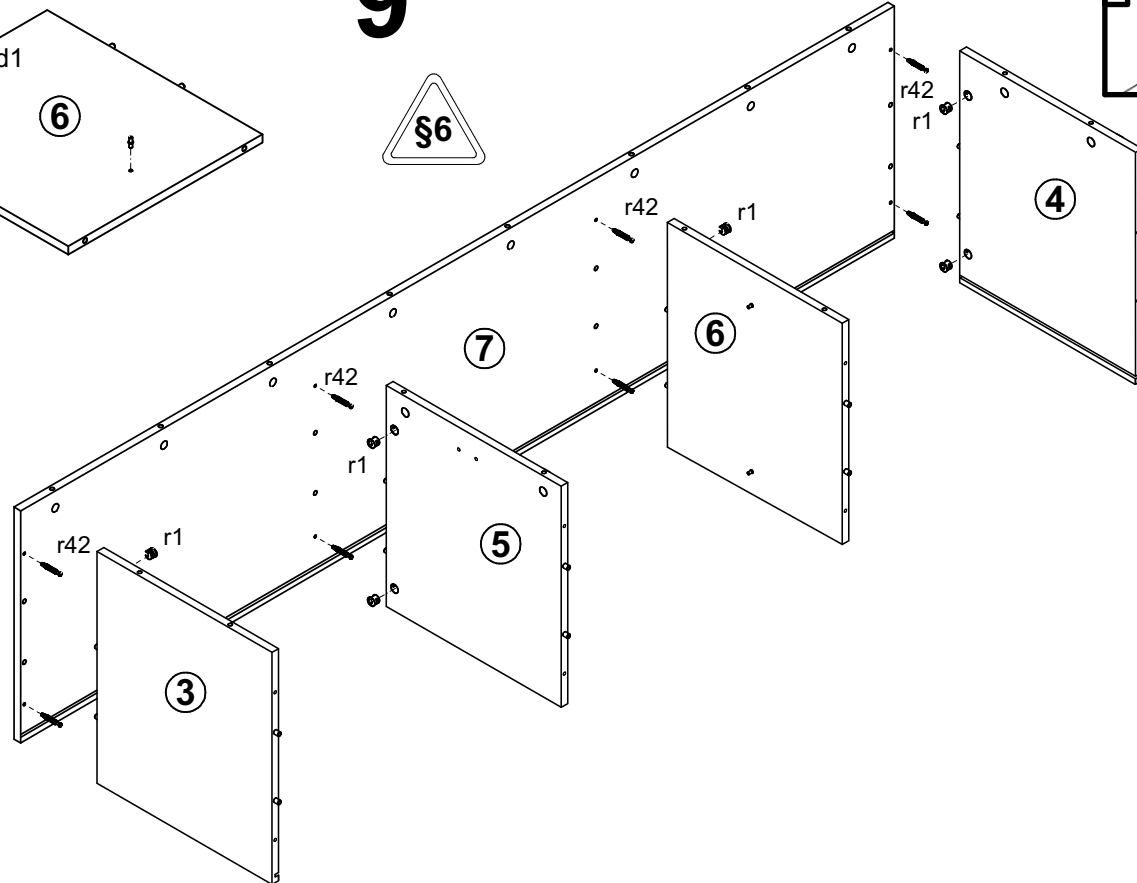
A	B	C (mm)		D
1	N17-001	600	267	1/4
2	N17-002	600	267	1/4
3	N17-101	360	380	2/4
4	N17-102	360	380	2/4
5	N17-103	360	360	2/4
6	N17-104	360	360	2/4
7	N17-201	1899	380	1/4
8	N17-202	1899	380	1/4
9	N17-302	558	360	1/4
10	N17-501	1900	60	1/4
11	N17-502	273	60	1/4
12	N17-503	1900	60	1/4
13	N17-901	1876	370	1/4



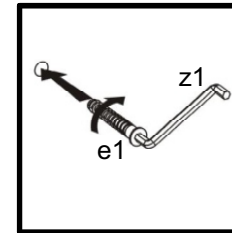
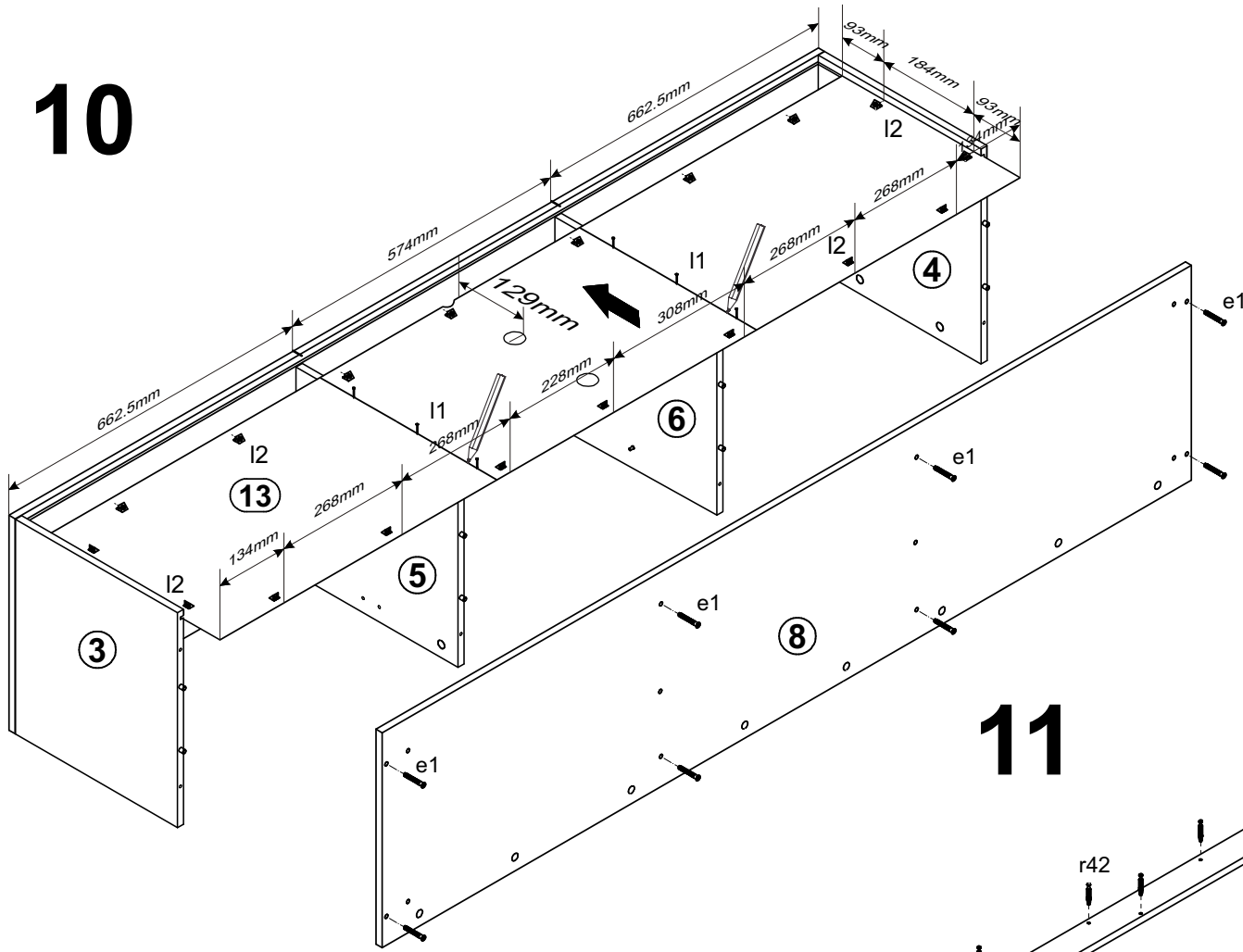
8



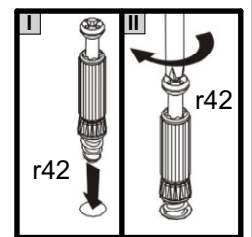
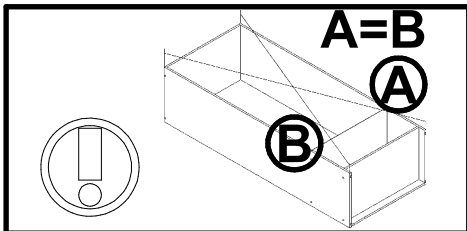
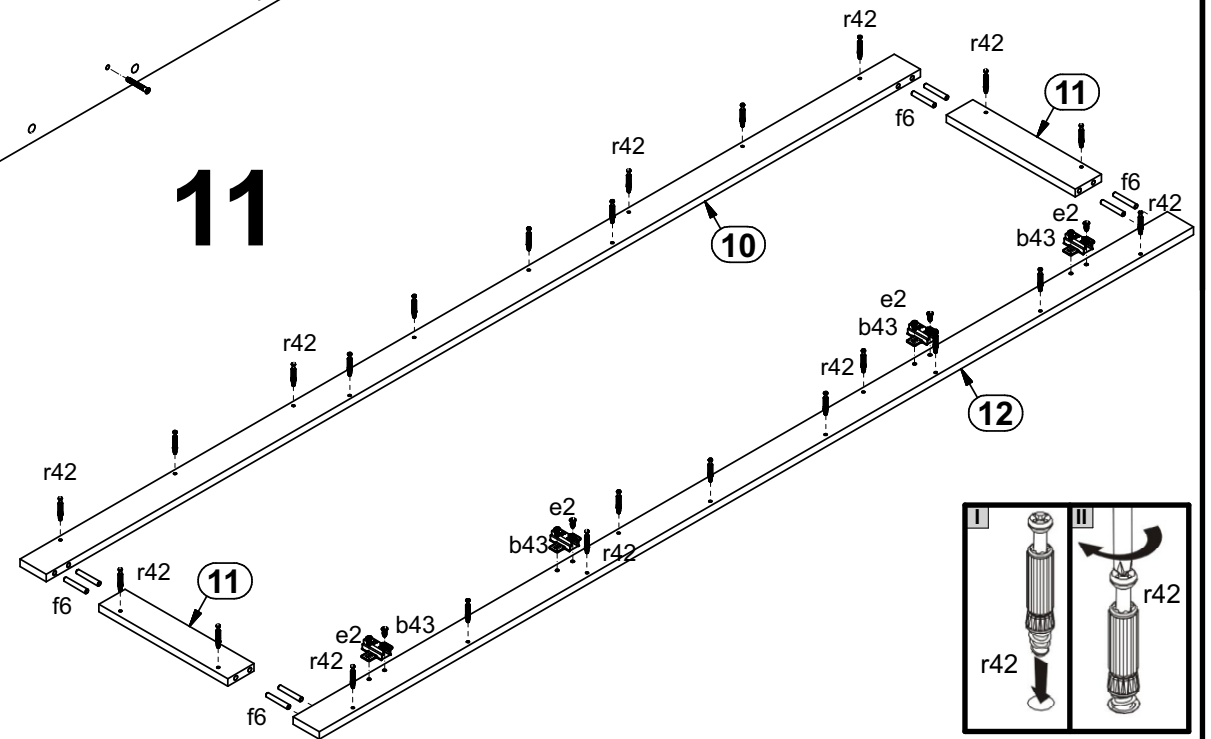
9



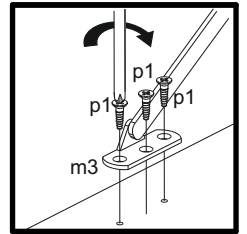
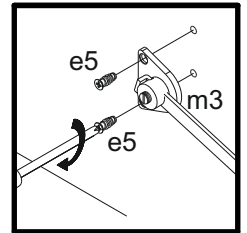
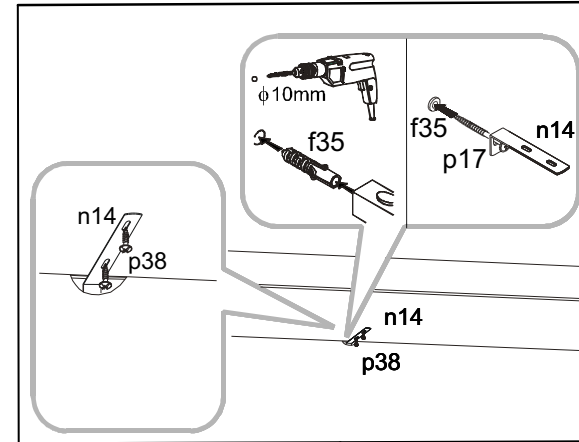
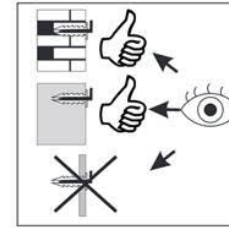
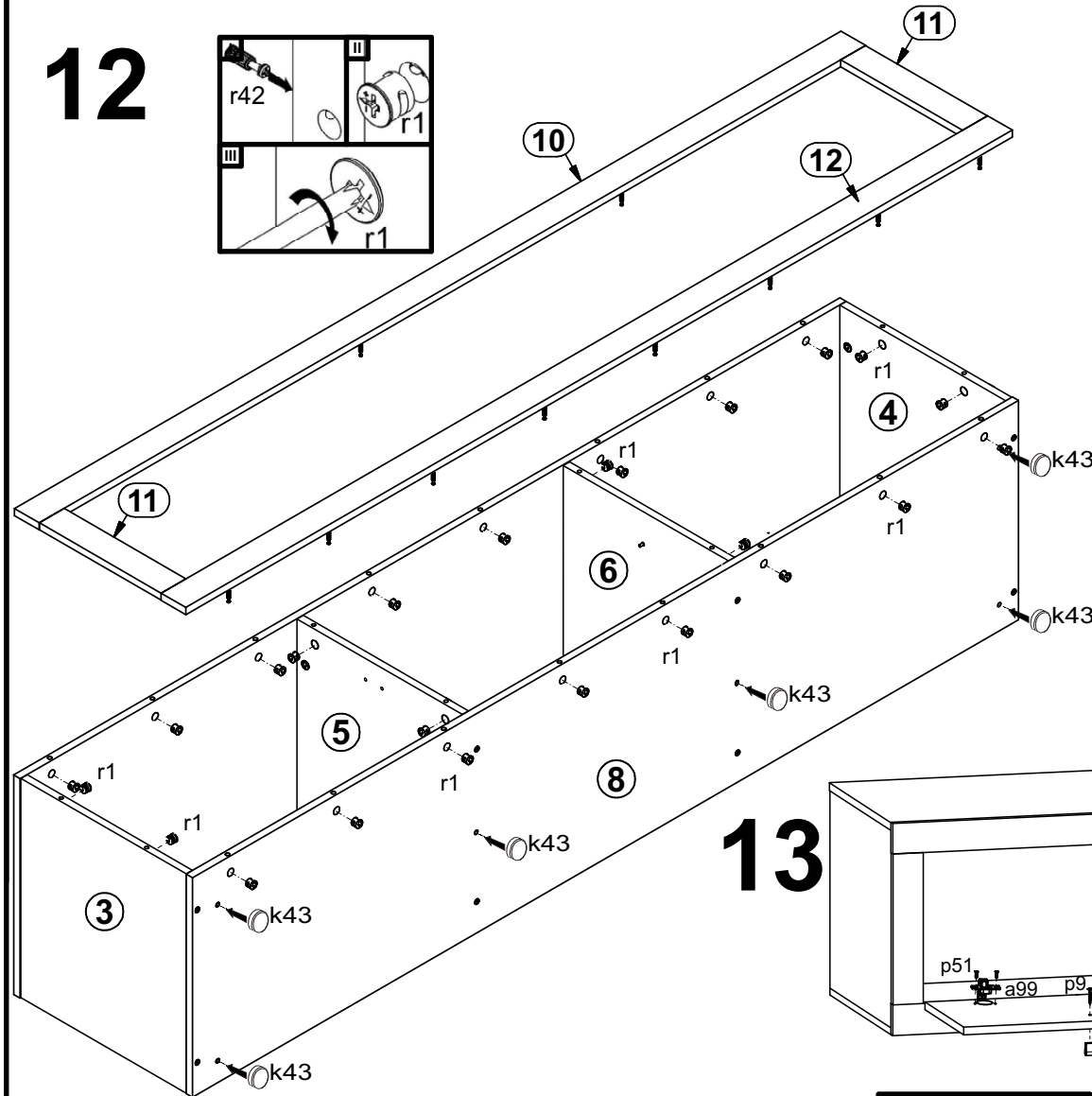
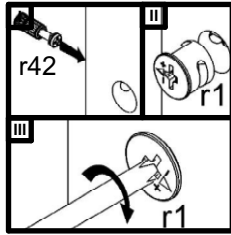
10



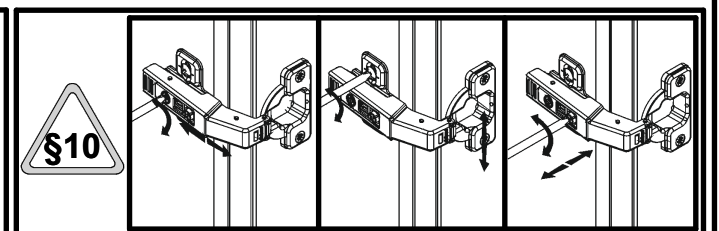
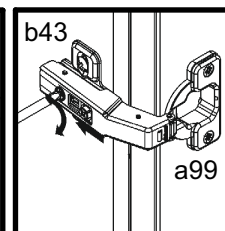
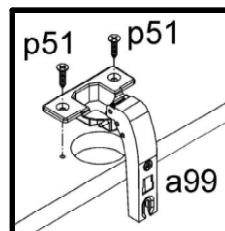
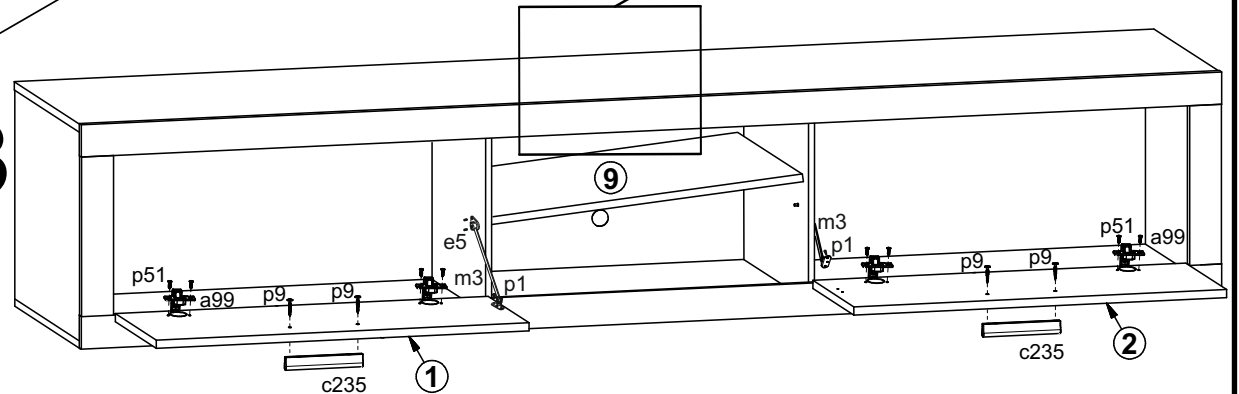
11

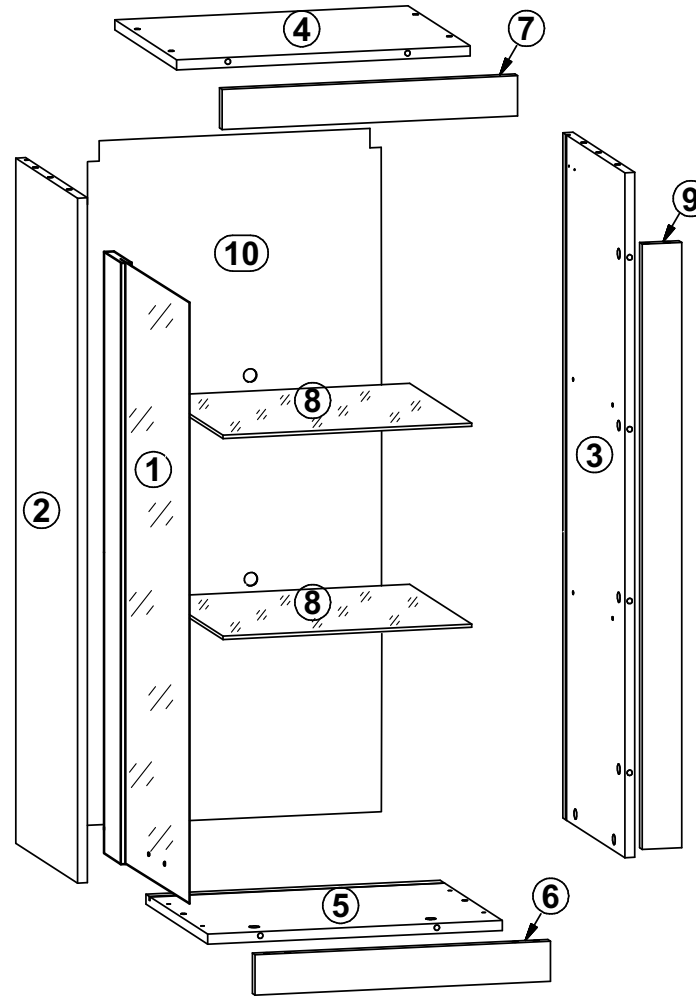
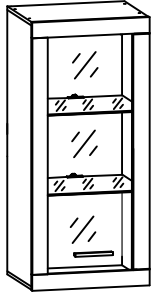


12

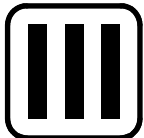


13

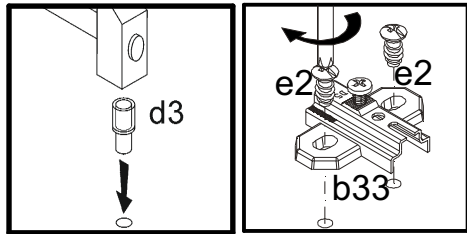
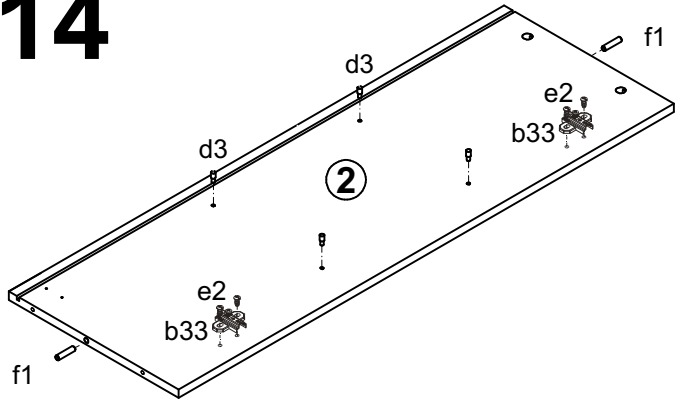




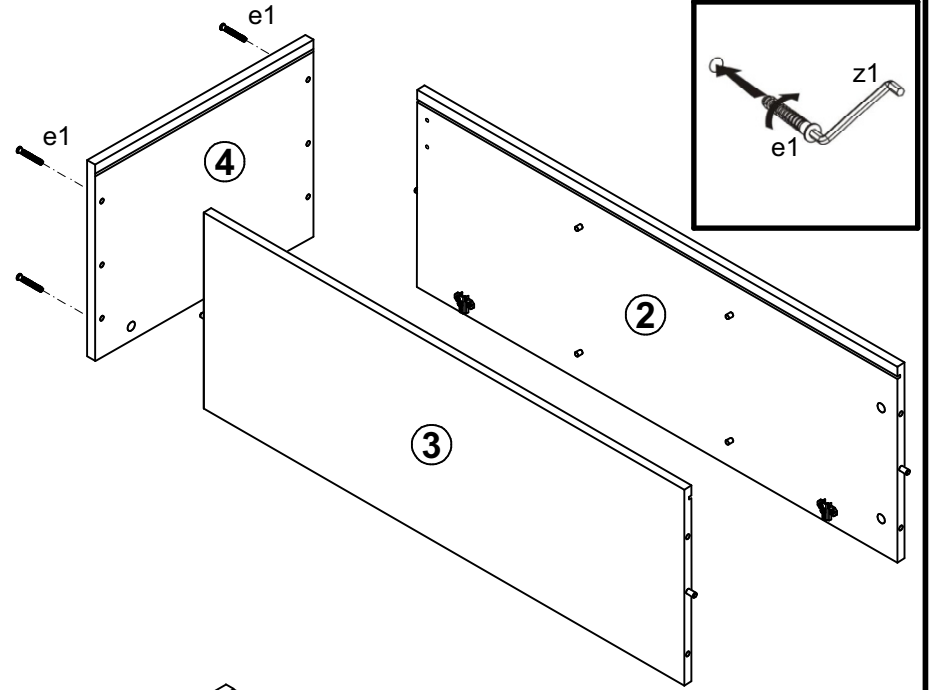
A	B	C (mm)		D
1	N28-001	875	335	4/4
2	N17-108	968	284	4/4
3	N28-101	968	284	4/4
4	N28-201	399	284	4/4
5	N28-202	399	284	4/4
6	N28-502	400	60	4/4
7	N28-503	400	60	4/4
8	N28-504	365	256	4/4
9	N28-505	881	60	4/4
10	N28-901	978	377	4/4



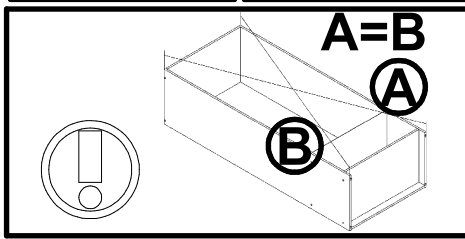
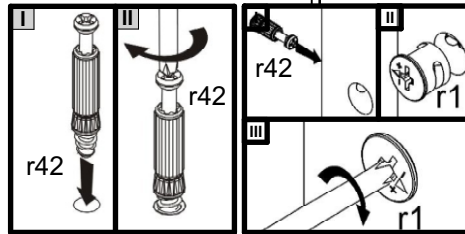
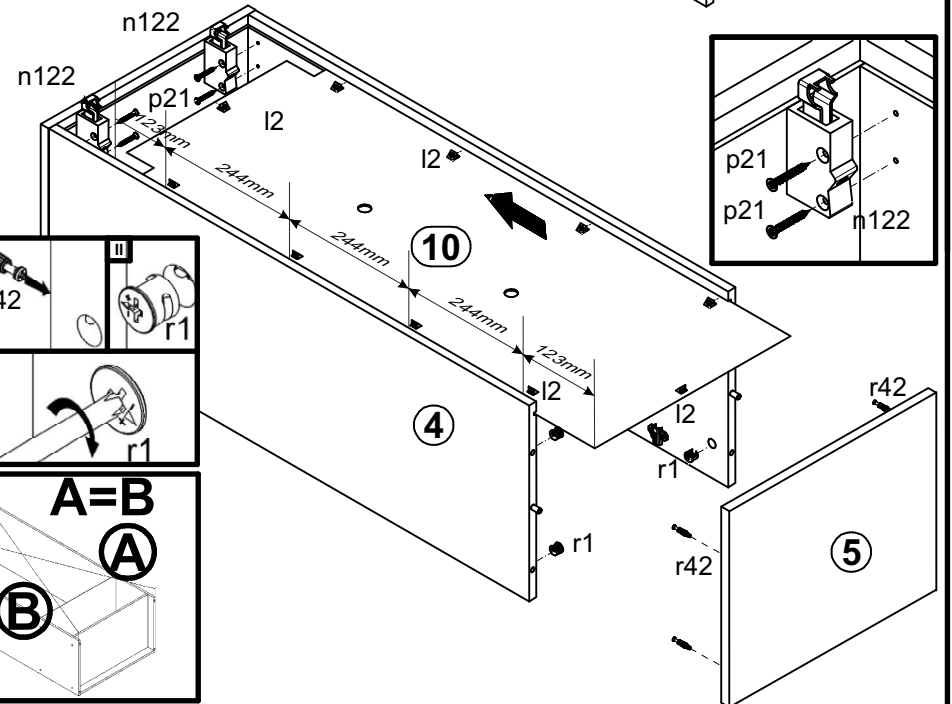
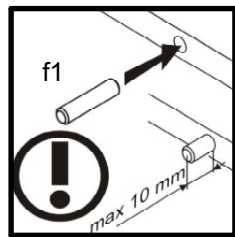
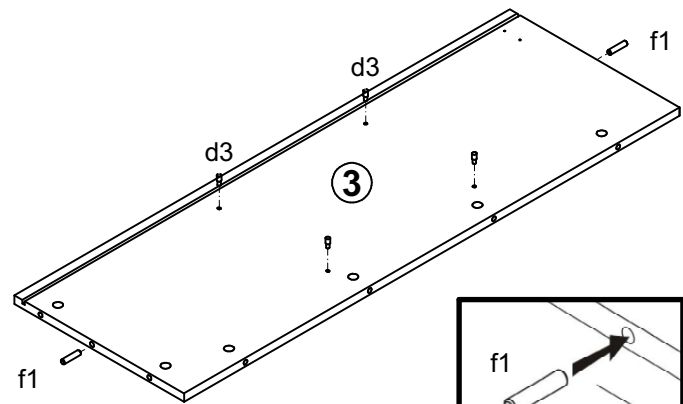
14



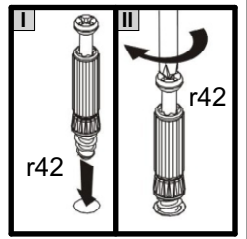
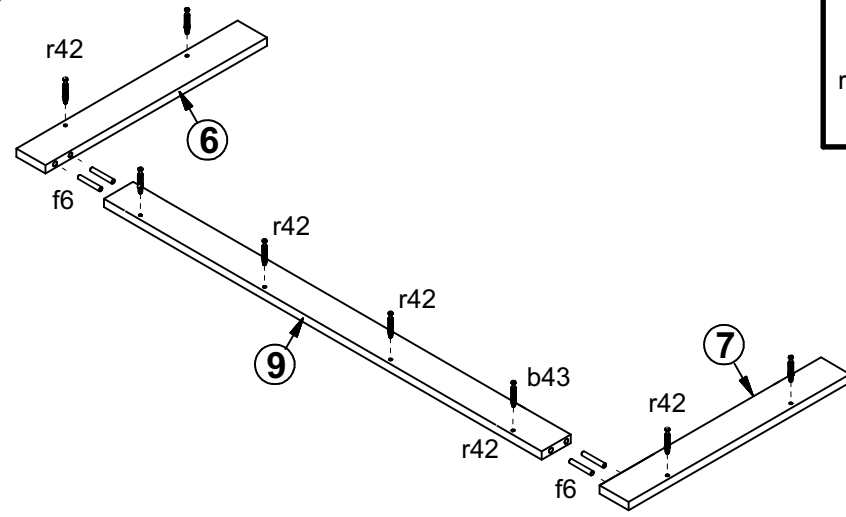
15



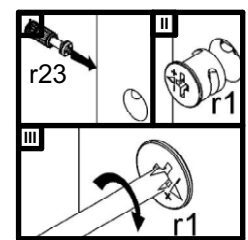
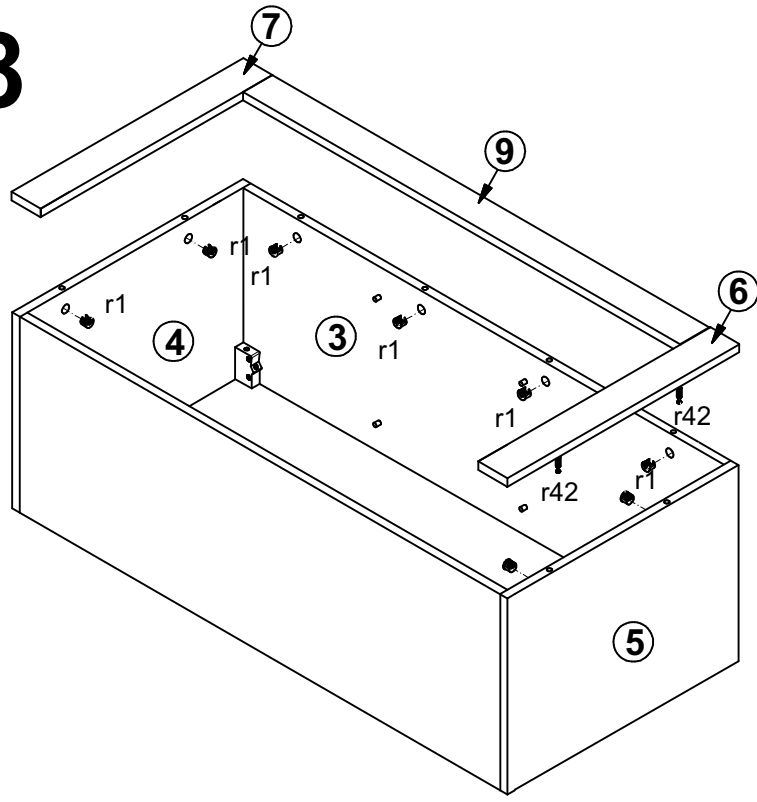
16



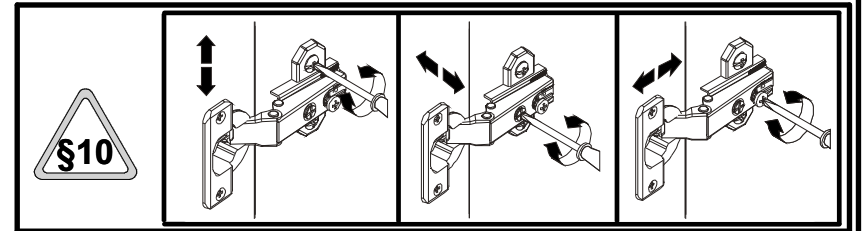
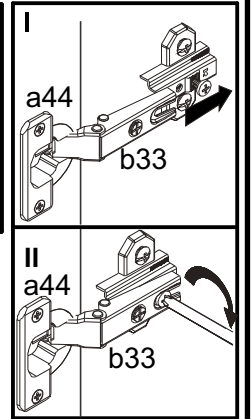
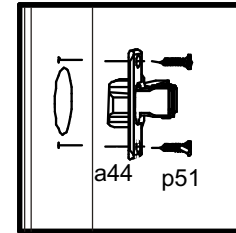
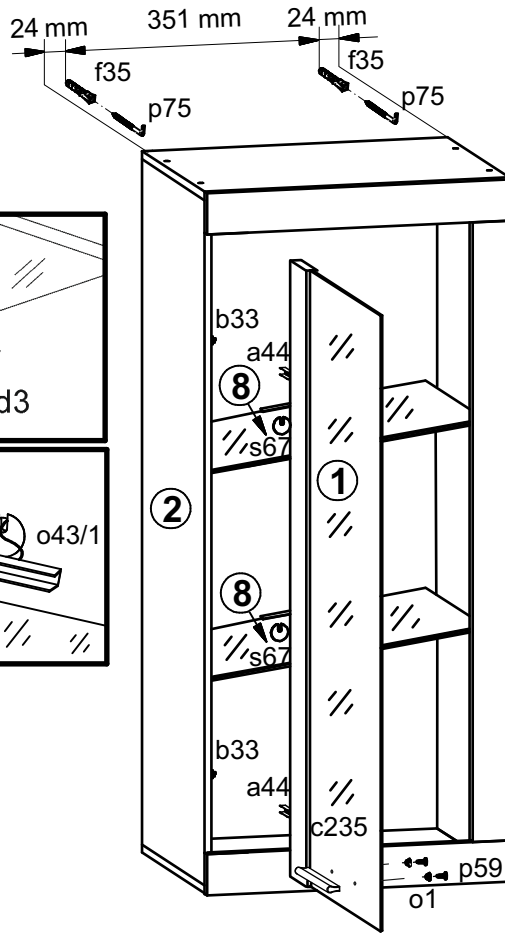
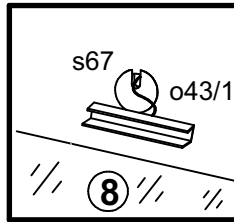
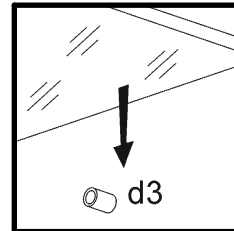
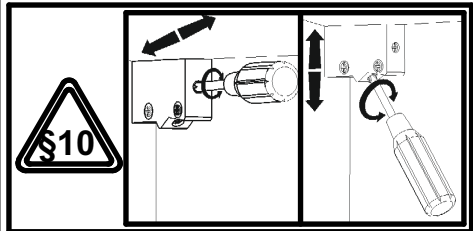
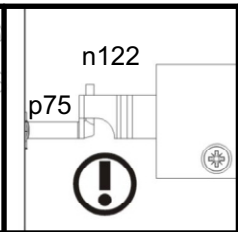
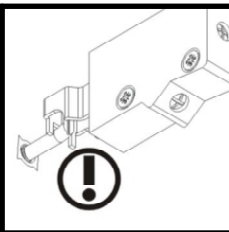
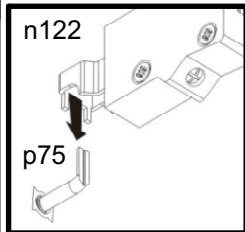
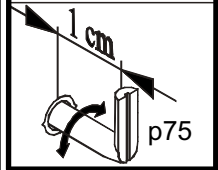
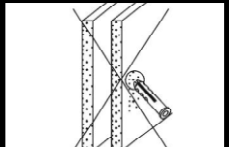
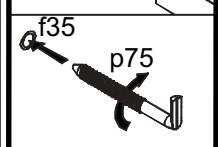
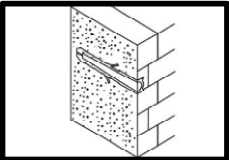
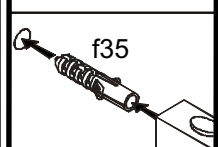
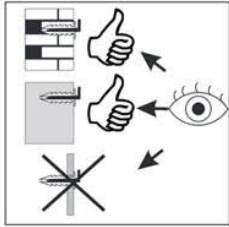
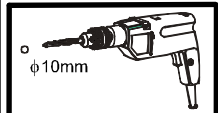
17

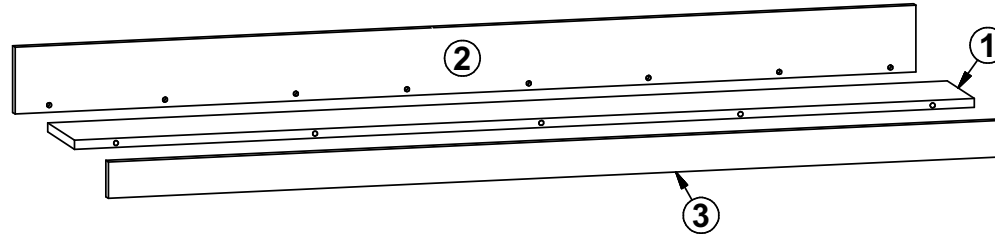


18



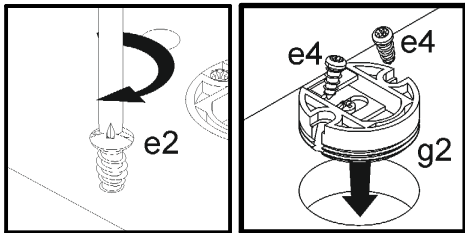
19



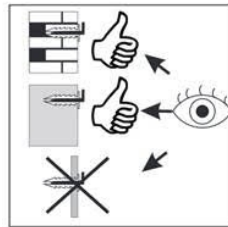
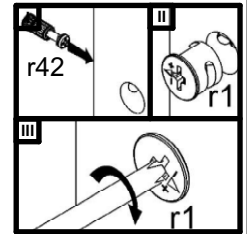
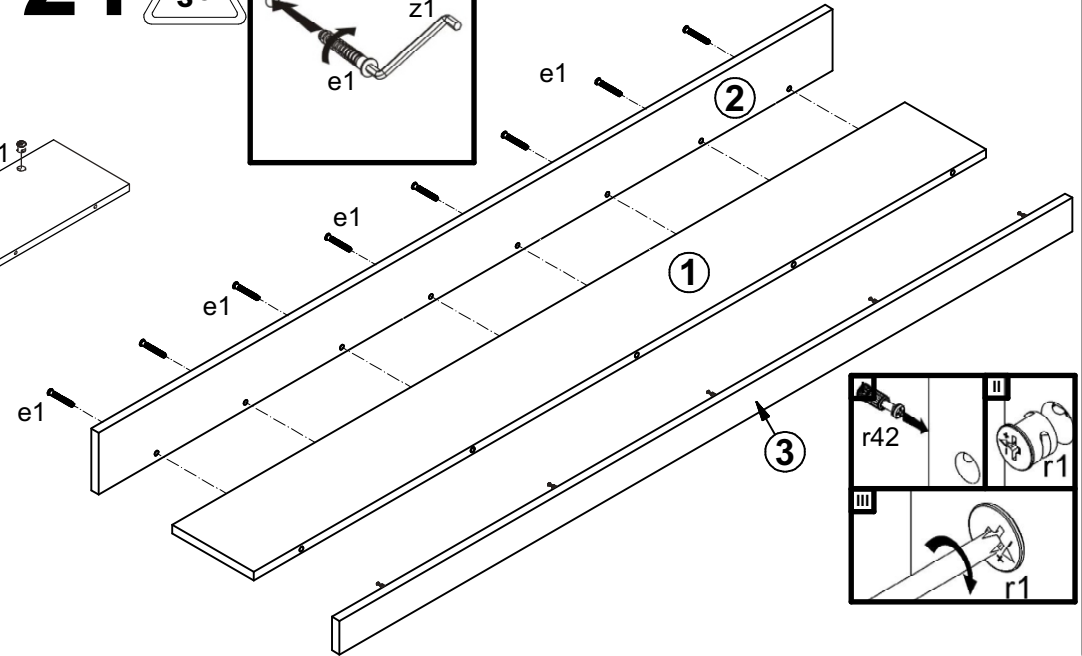
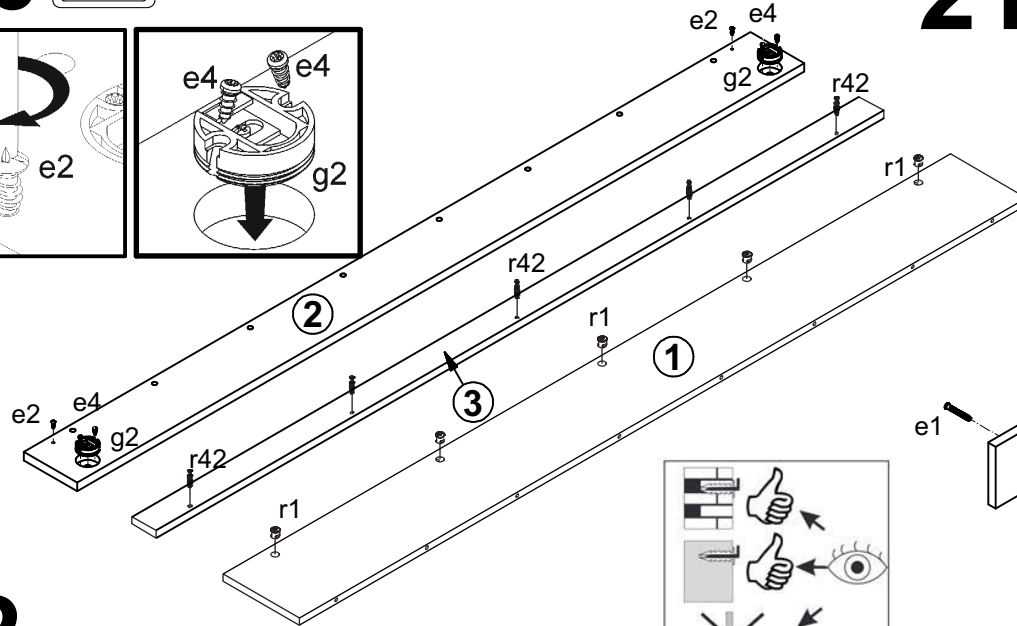
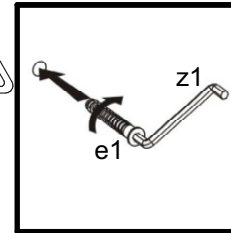


A	B	C (mm)	D	
1	N17-306	1500	158	2/4
2	N17-509	1500	108	2/4
3	N17-510	1500	60	2/4

20 §2



21 §6



22

