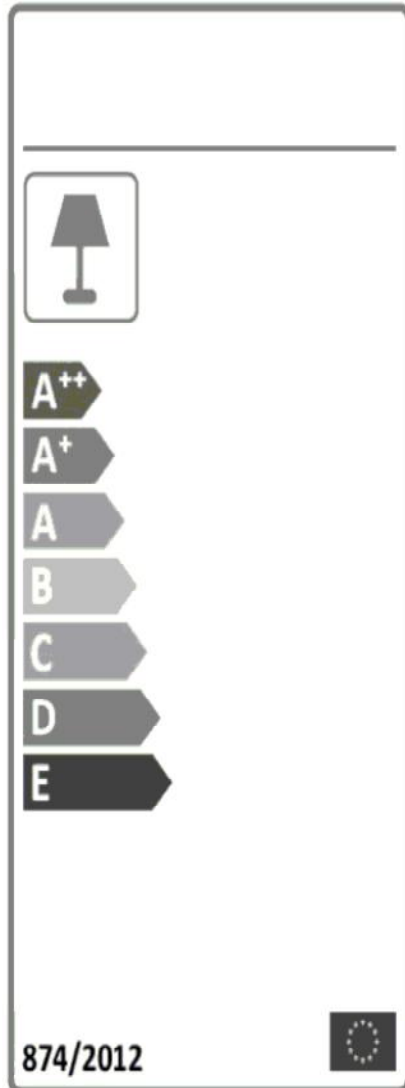
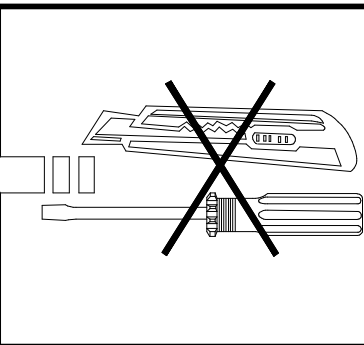
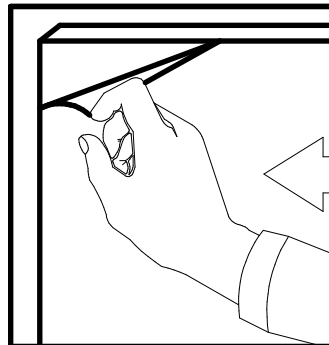
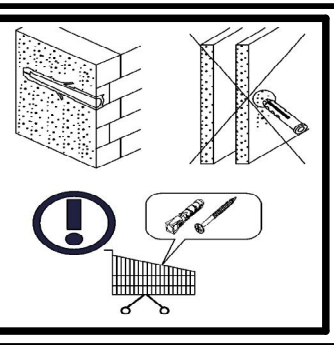
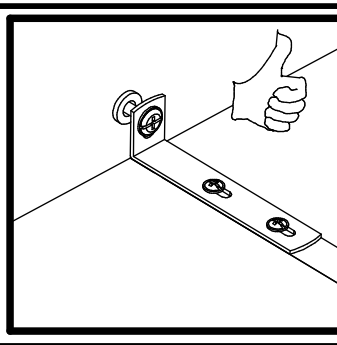
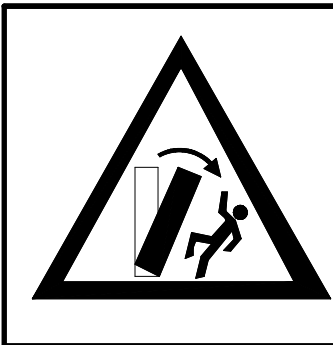
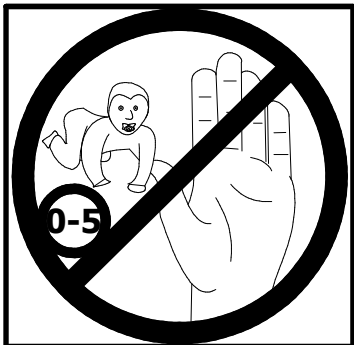
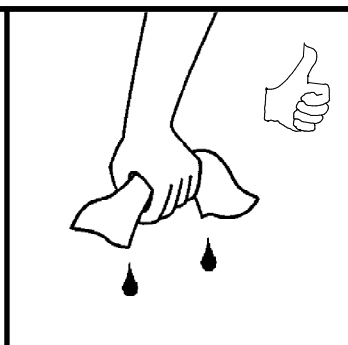
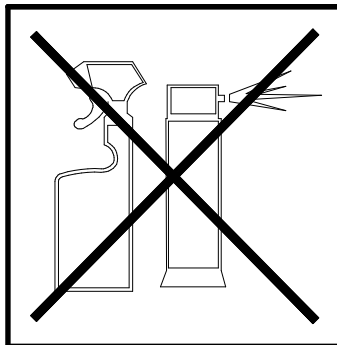
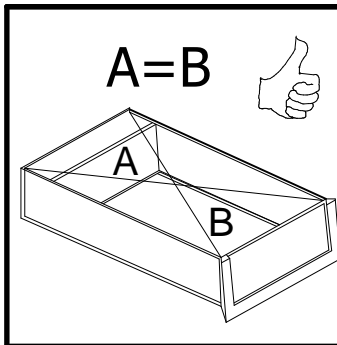
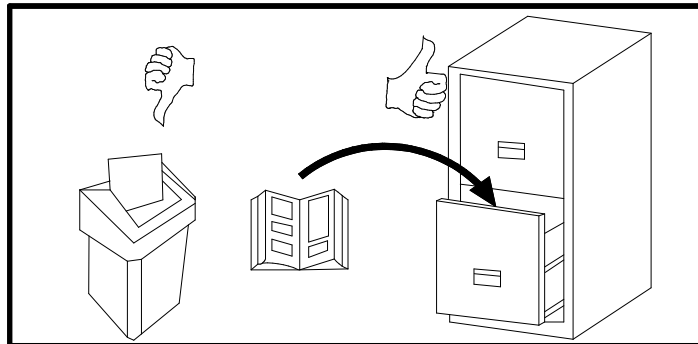
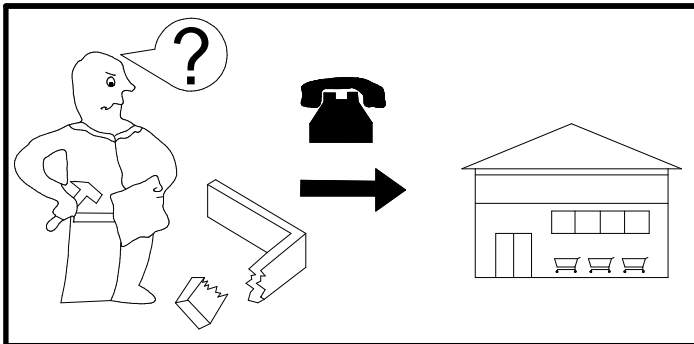
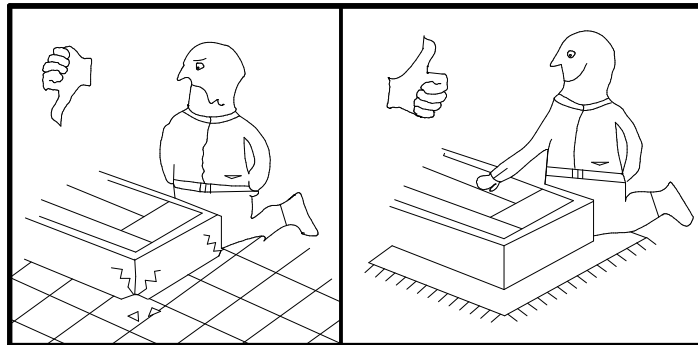
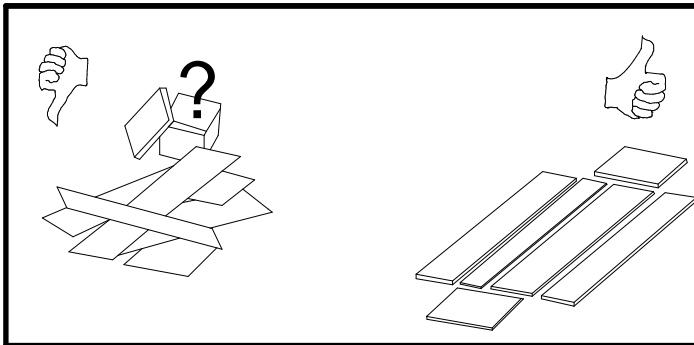
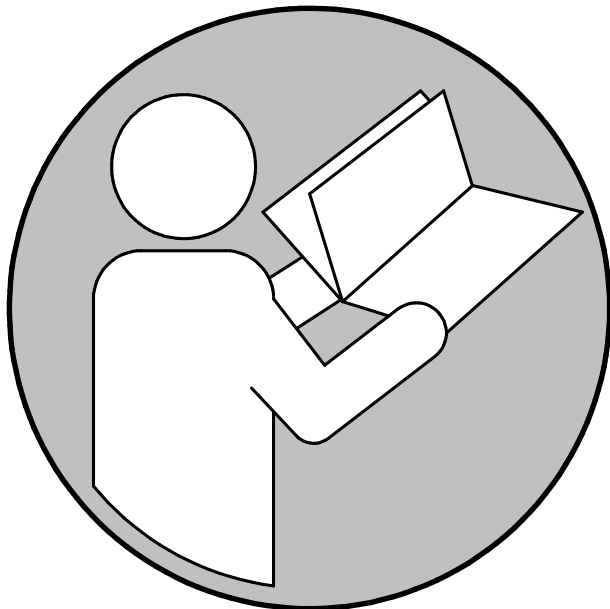


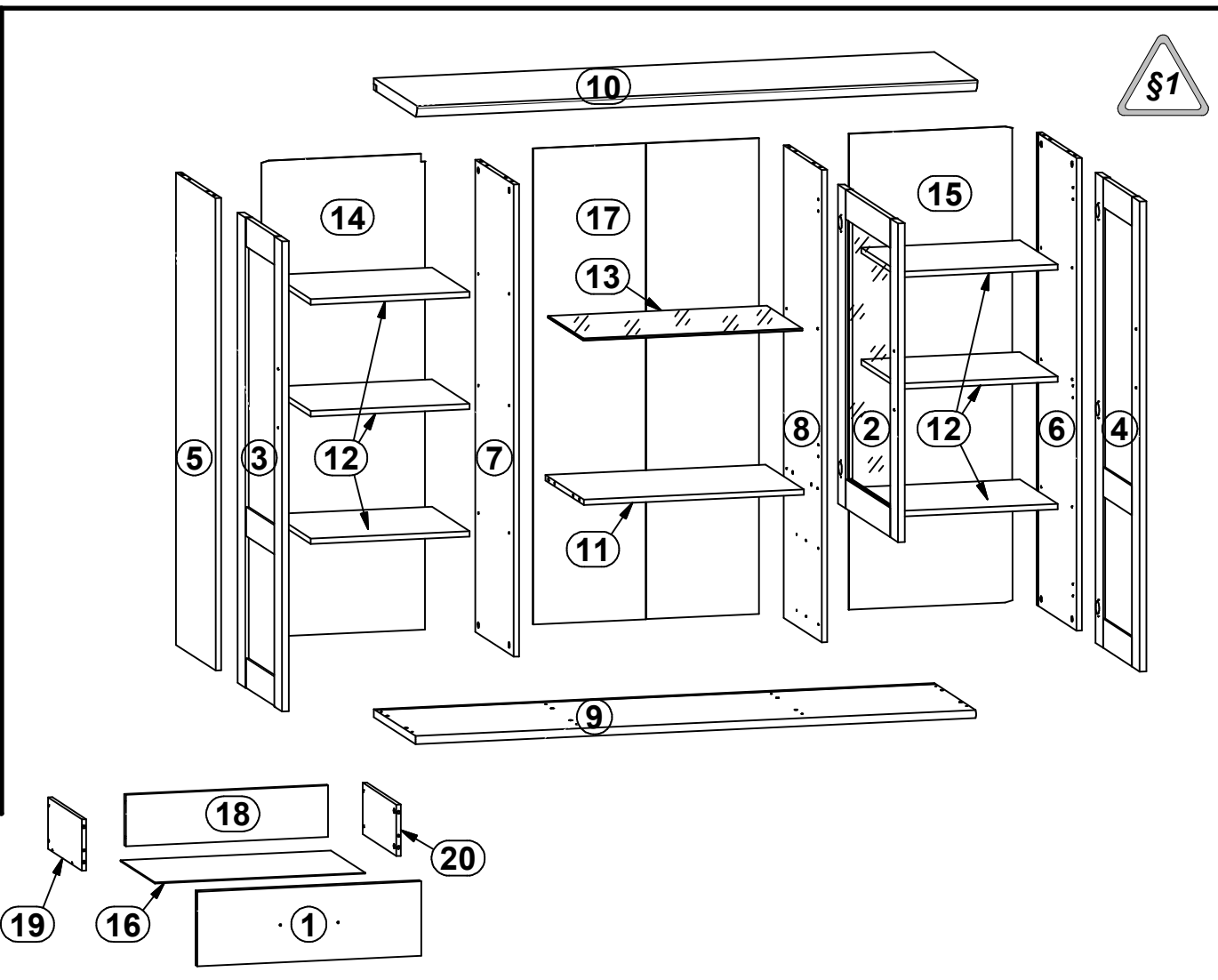
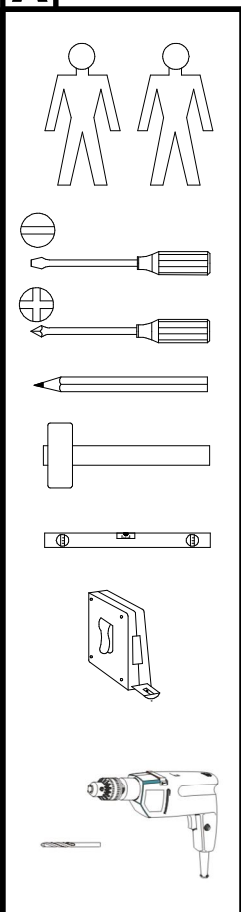
<http://www.bega-gruppe.de>



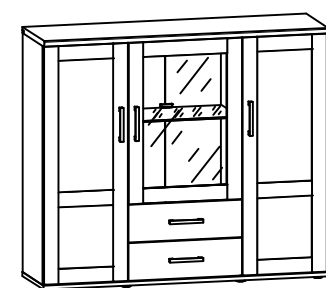
BG	Bulgarisch	български
CS	Tschechisch	čeština
DA	Dänisch	Dansk
DE	Deutsch	Deutsch
ET	Estnisch	Eesti
EL	Griechisch	ελληνικά
EN	Englisch	English
ES	Spanisch	español
FR	Französisch	Français
FI	Finnisch	suomalainen
HR	Kroatisch	hrvatski
HU	Ungarisch	magyar
IT	Italienisch	Italiano
LV	Lettisch	Latvijas
LT	Litauisch	Lietuvos
NL	Niederländisch	Nederlands
PL	Polnisch	Polski
PT	Portugiesisch	português
RO	Rumänisch	român
SK	Slowakisch	slovenský
SL	Slowenisch	slovenščina
SV	Schwedisch	Svenska







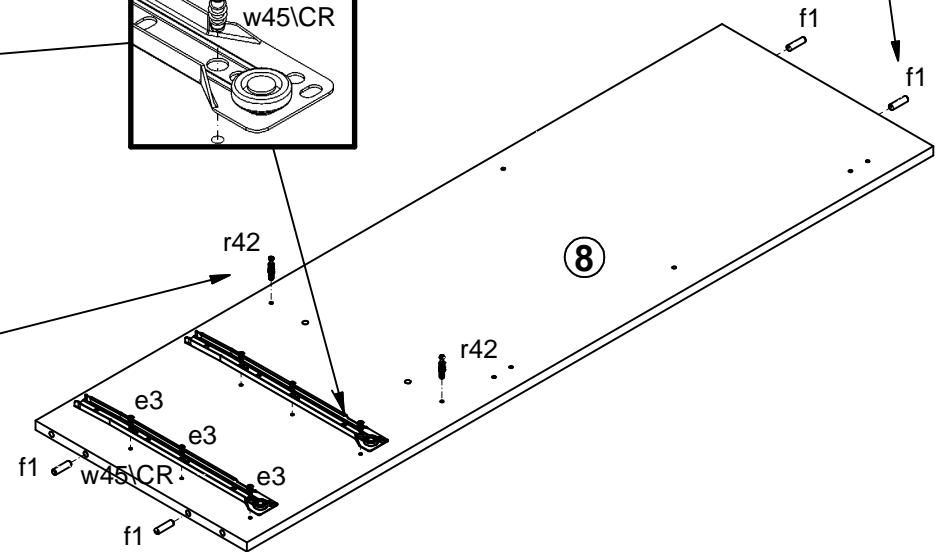
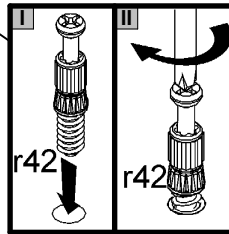
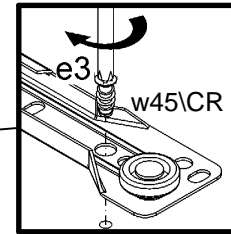
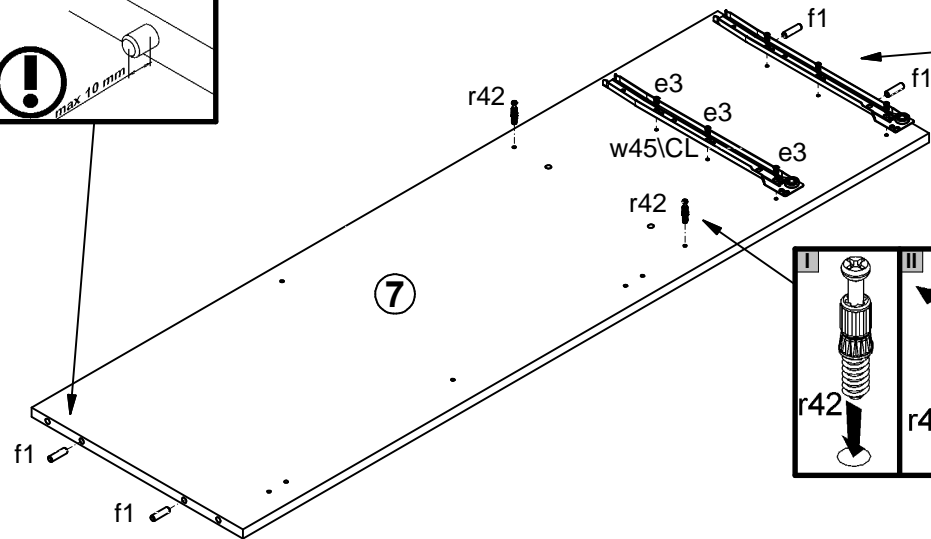
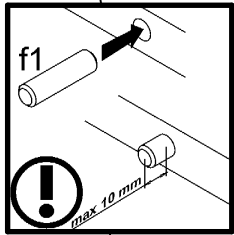
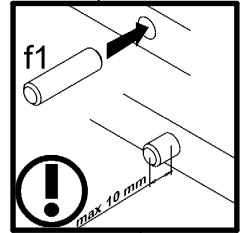
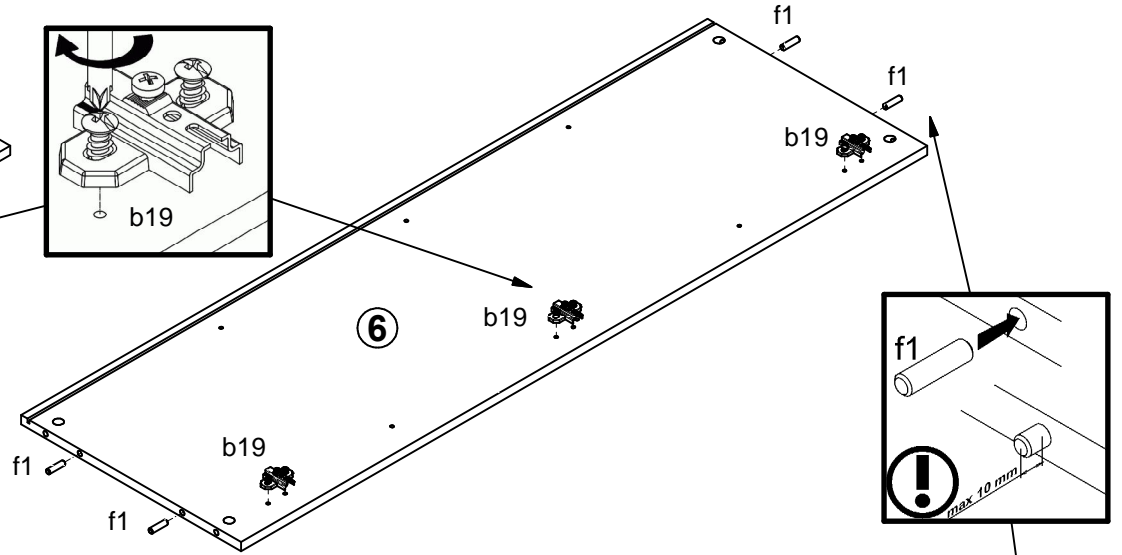
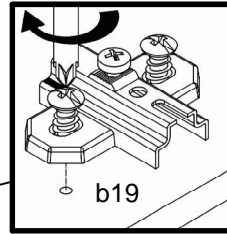
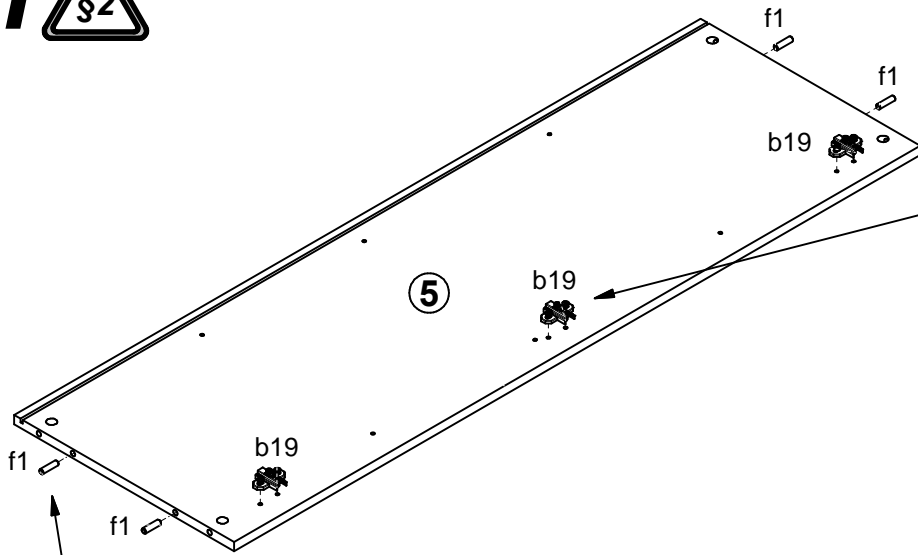
A	B	C (mm)		D
1	S331-015	622	203	3/4
2	S331-016	868	622	3/4
3	S331-017	1280	461	4/4
4	S331-018	1280	461	4/4
5	S331-117	1286	412	1/4
6	S331-118	1286	412	1/4
7	S331-119	1286	396	1/4
8	S331-120	1286	396	1/4
9	S331-211	1556	433	2/4
10	S331-212	1556	450	2/4
11	S331-310	611	396	3/4
12	S331-311	441	390	1/4
13	S331-504	609	366	1/4
14	S331-918	1296	454	1/4
15	S331-919	1296	454	1/4
16	S331-920	584	355	1/4
17	S331-921	1296	627	1/4
18	ZS3-5663	562	140	2/4
19	ZS4-531	350	140	2/4
20	ZS4-532	350	140	2/4



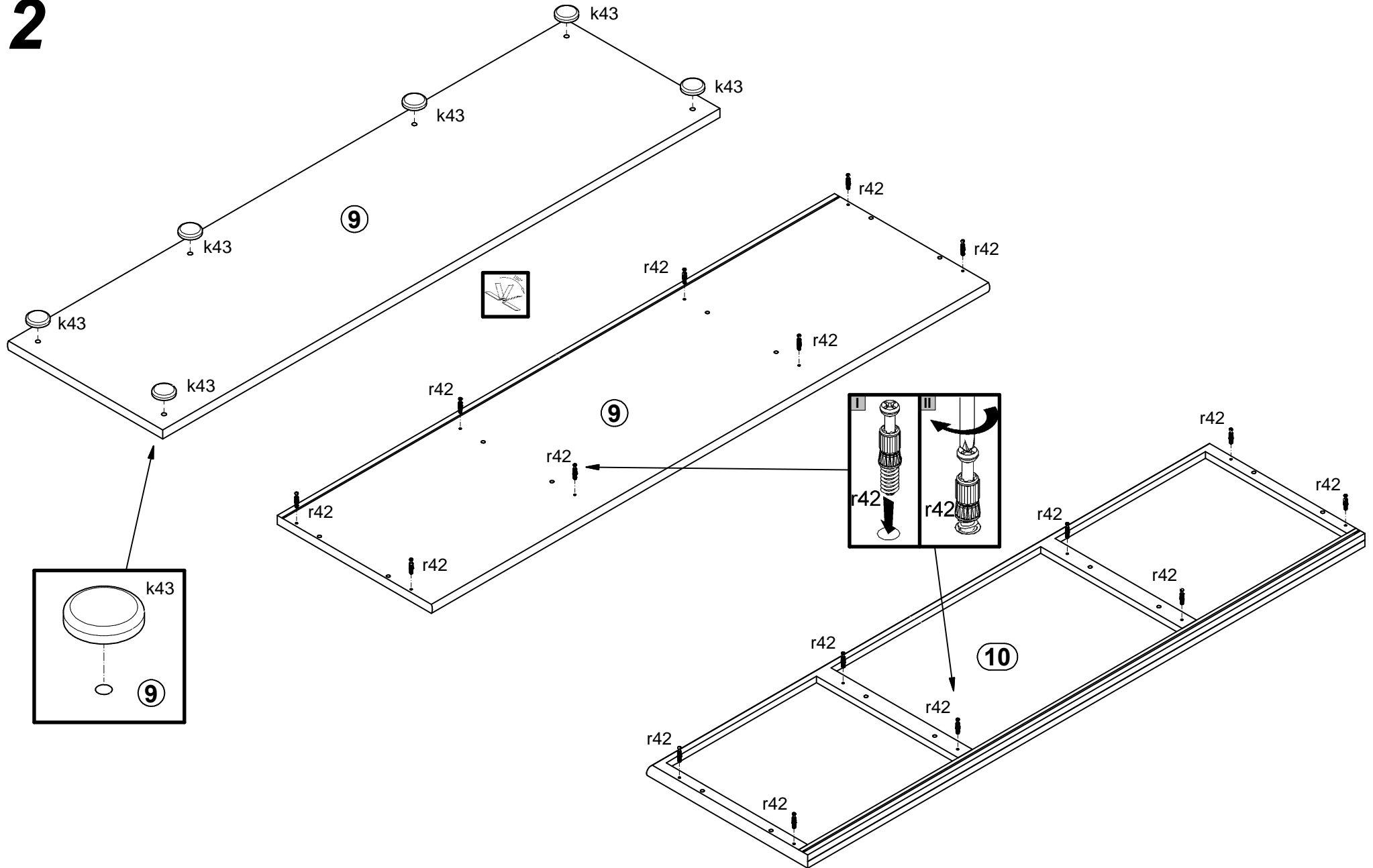
cm 0 1 2 3 4 5 6 7 8 9 10

6x K0 a44	2x K9,5 a68	6x D0 b19	2x D1,5 b33	1x Ø10x50 mm f35	1x Ø5x60 mm p17
5x 160 mm c193	24x Ø5x17 mm d1	4x Ø5x17 mm d3	12x Ø6x13 mm e3	8x Ø5x9 mm e19	20x Ø8x30 mm f1
1x o65l2	10x Ø4x30 mm p9	12x Ø3,5x16 mm p38	16x Ø3,5x15 mm p51	20x Ø15x12 mm #16 r1	8x Ø12x10,5 mm #12 r15
				28x 20/11 r42	2x 350 mm w45\CL
					2x 350 mm w45\CR
					2x 350 mm w45\DL
					2x 350 mm w45\DR
					16x Ø16 s2
					10x silikon o21

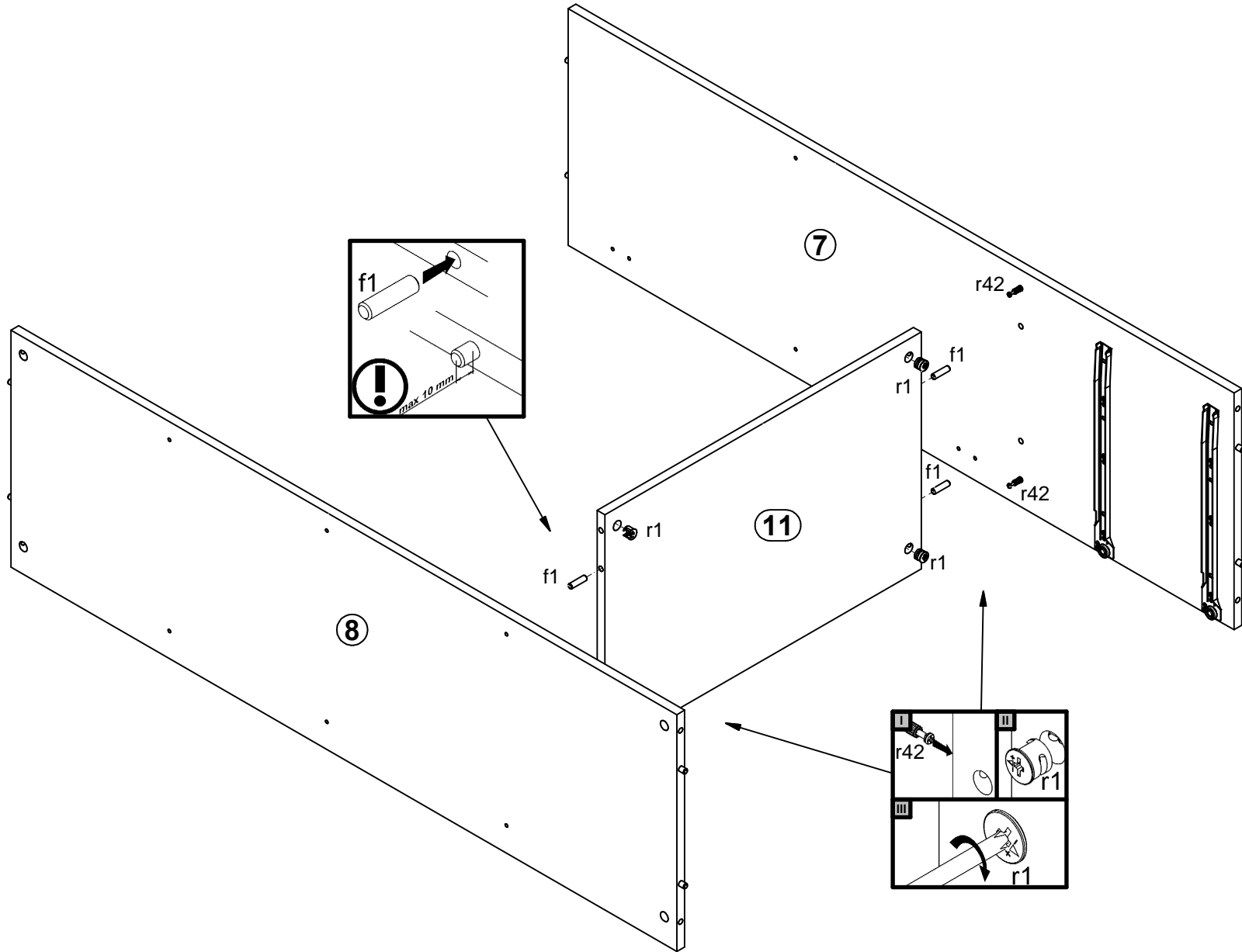
1 



2

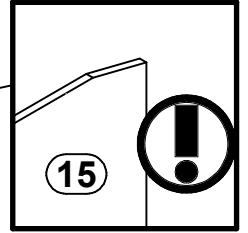
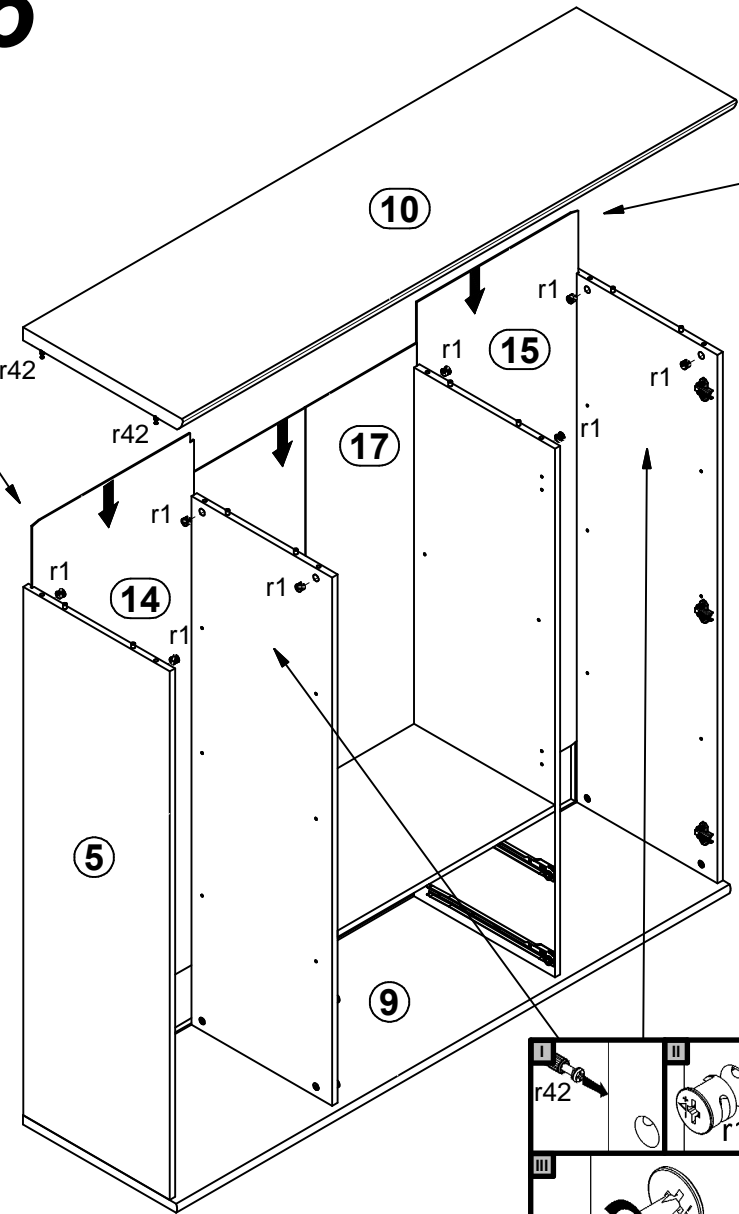
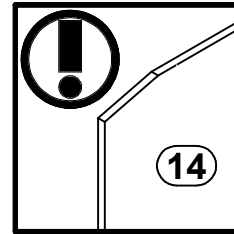
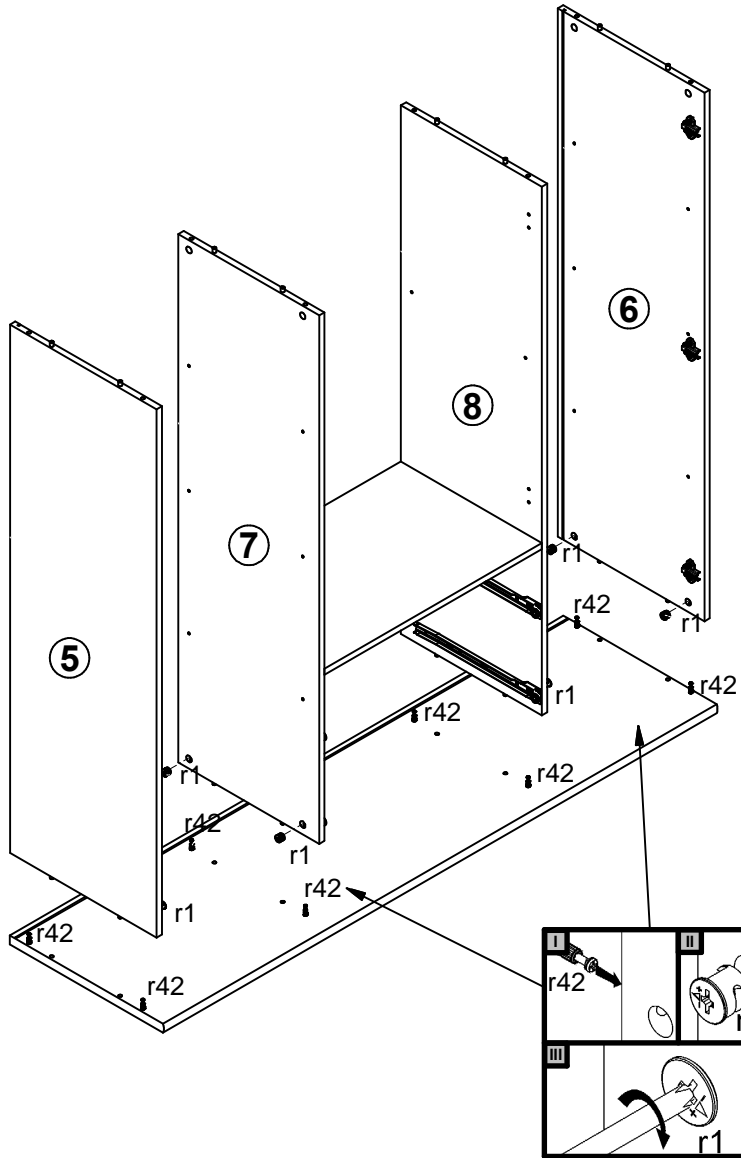


3

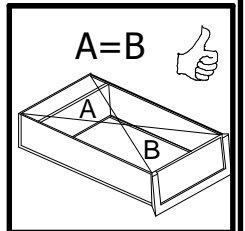
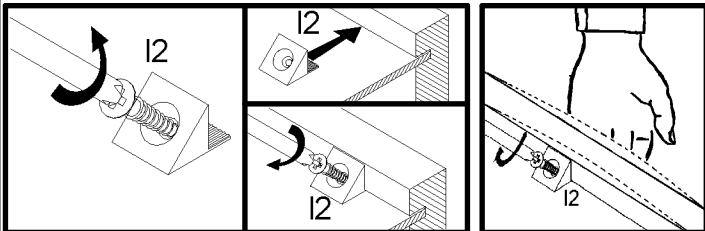
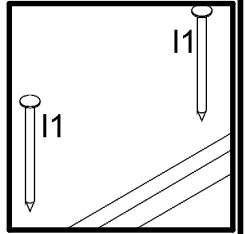
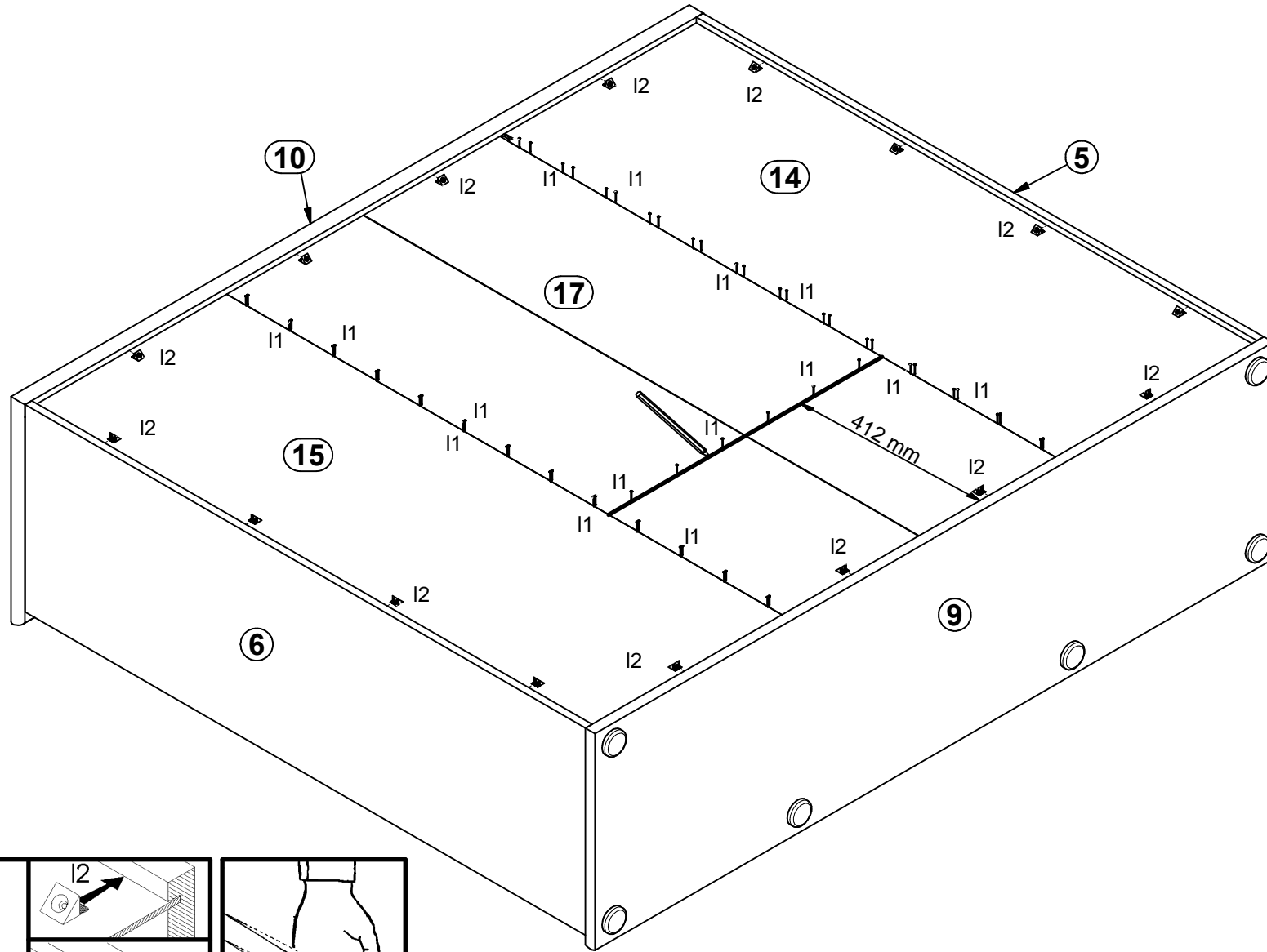


4

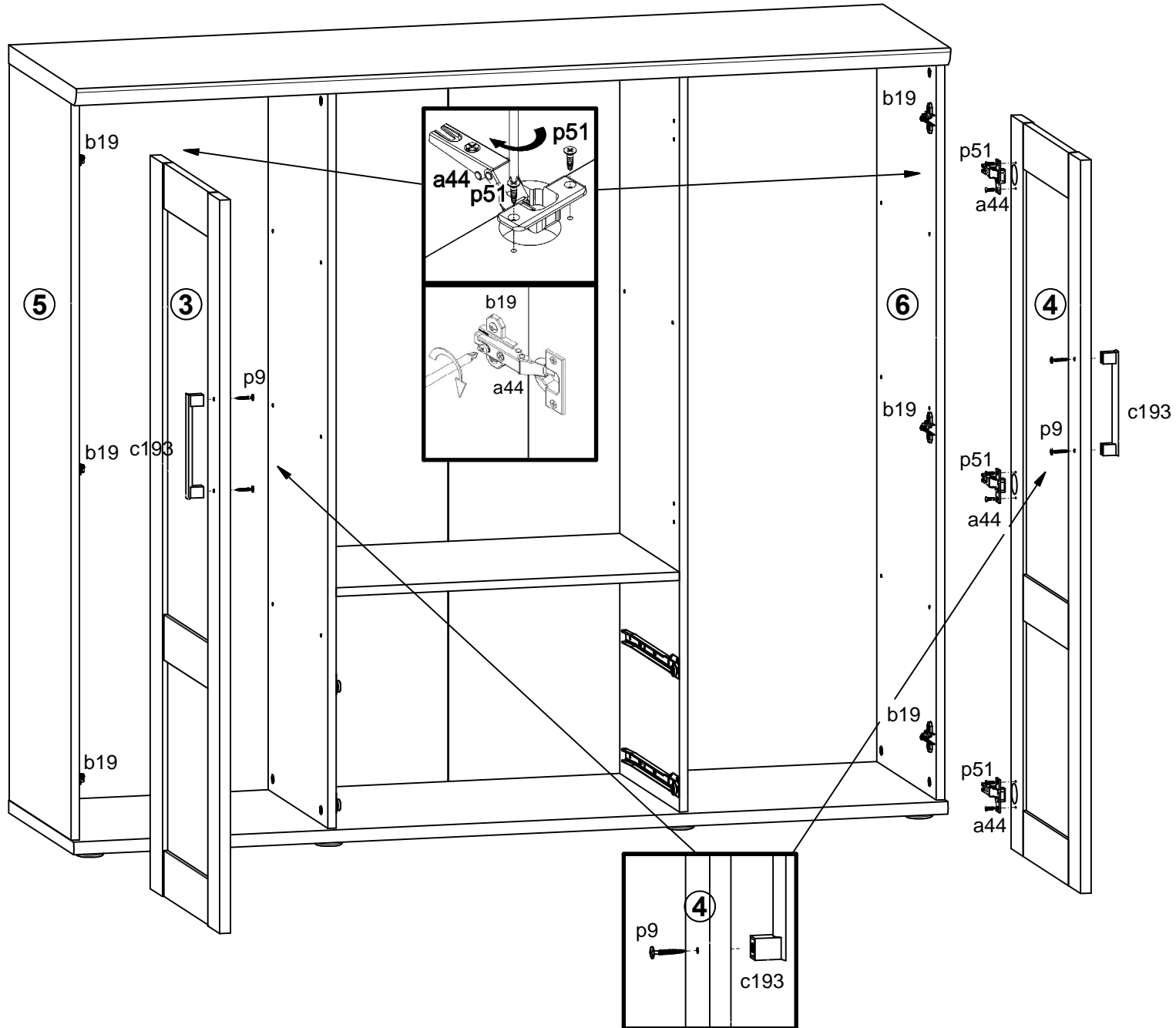
5



6

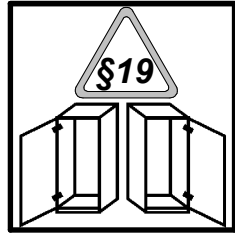
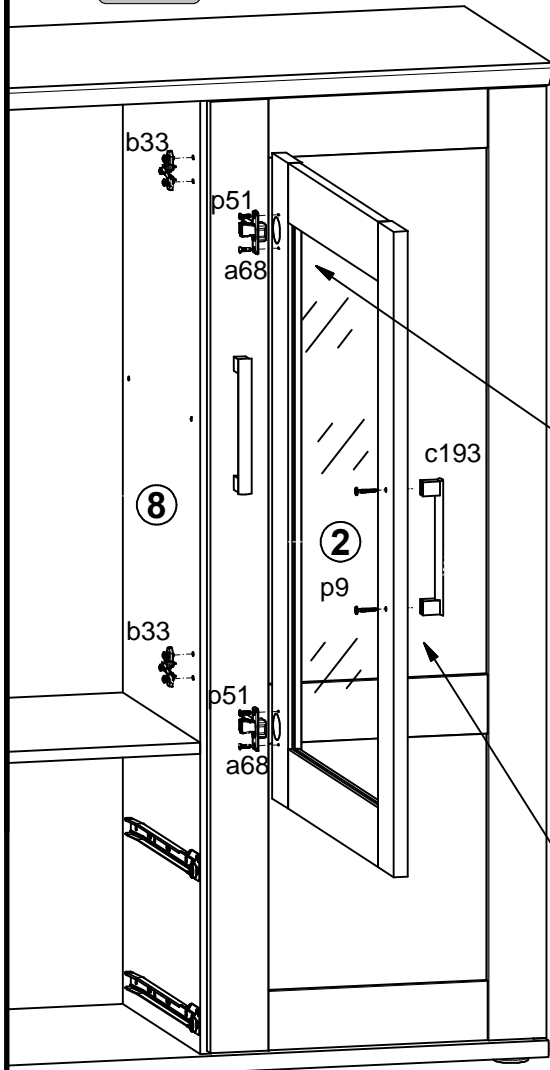


7

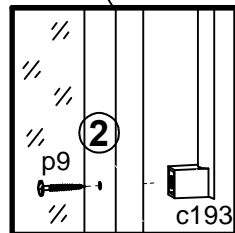
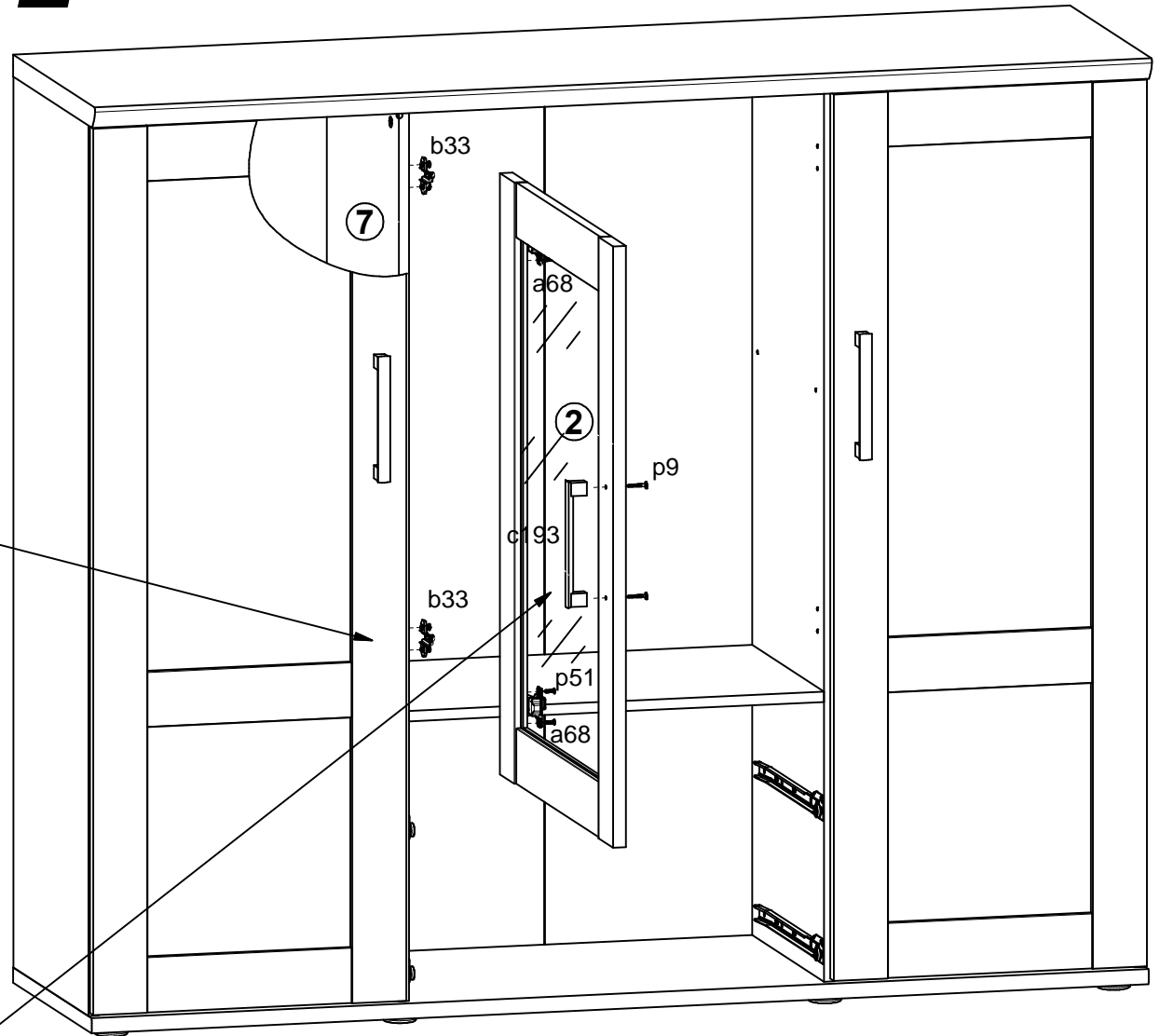
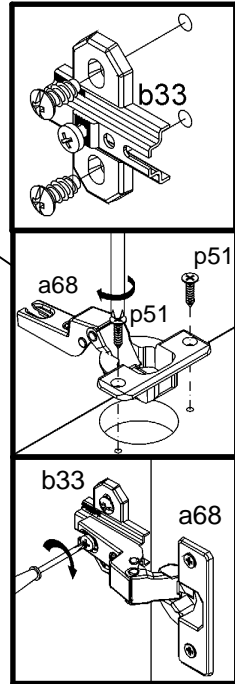


8 §11

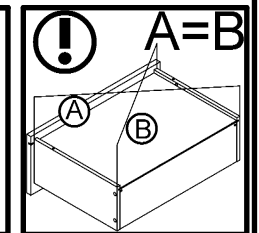
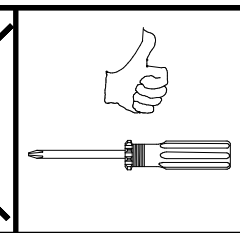
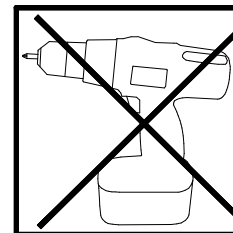
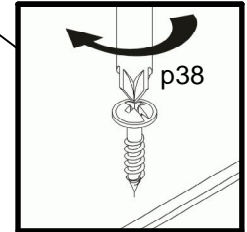
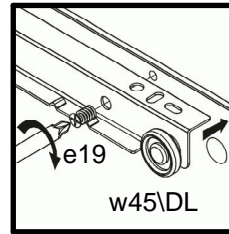
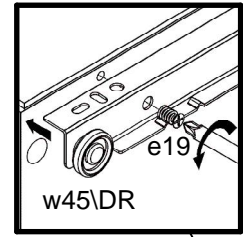
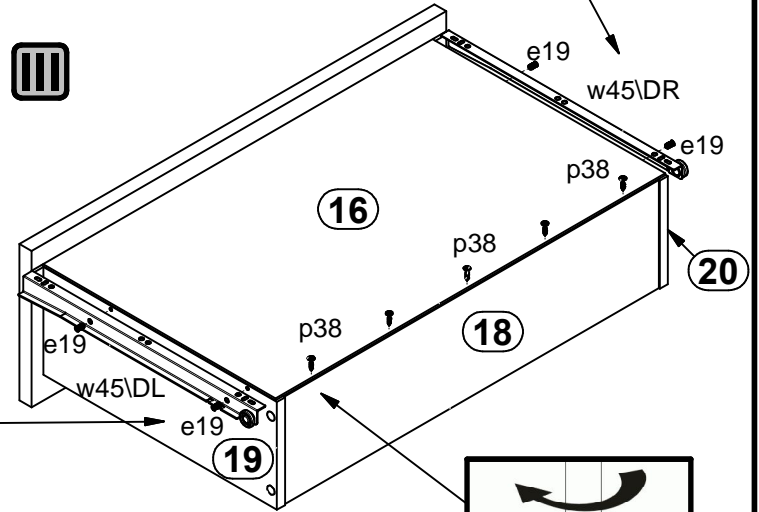
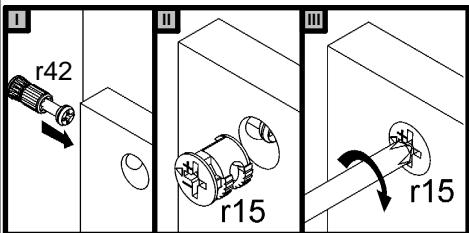
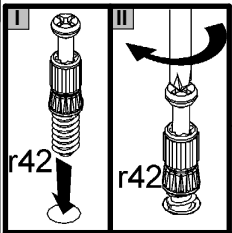
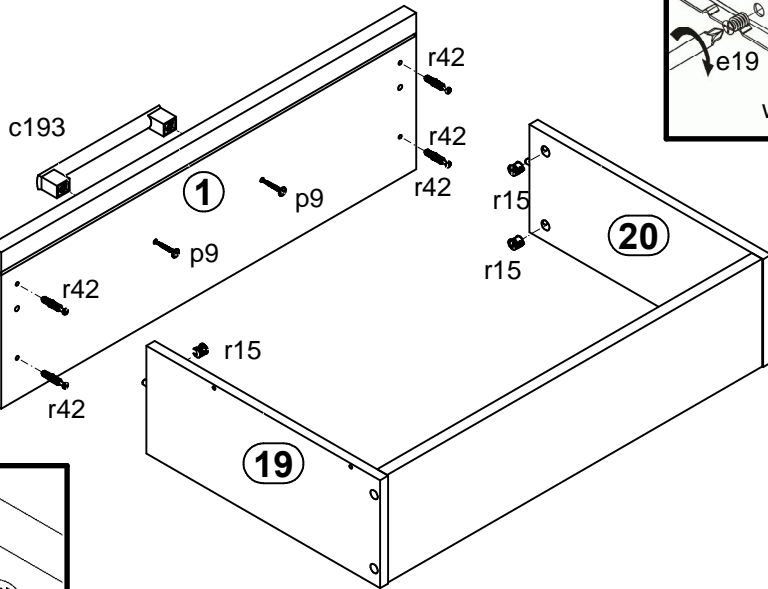
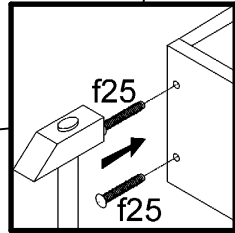
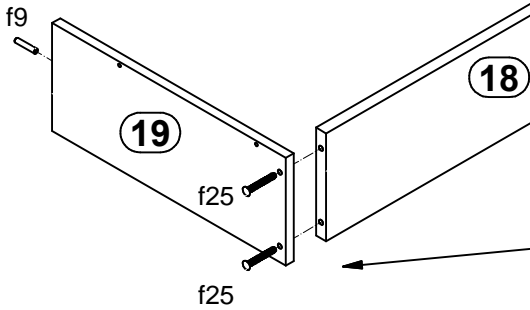
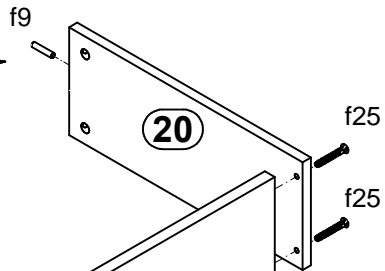
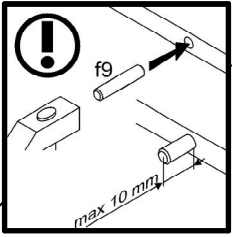
R



L



9



10

§11

§4

p17
n14

p38
n14

This block contains a warning symbol (a triangle with a lightning bolt) labeled §4. To its right are two diagrams. The first shows a power drill with a bit driving a screw into a hole. The second shows a screw being inserted into a pre-drilled hole in a wooden component.

f35
n14 p17

d3

d3

This block shows a diagram of a screw being inserted into a hole in a wooden component. Below it is a diagram of a cap being pushed onto a protrusion.

o65v1

13

This block shows a diagram of a bracket being pushed into a slot on a shelf.

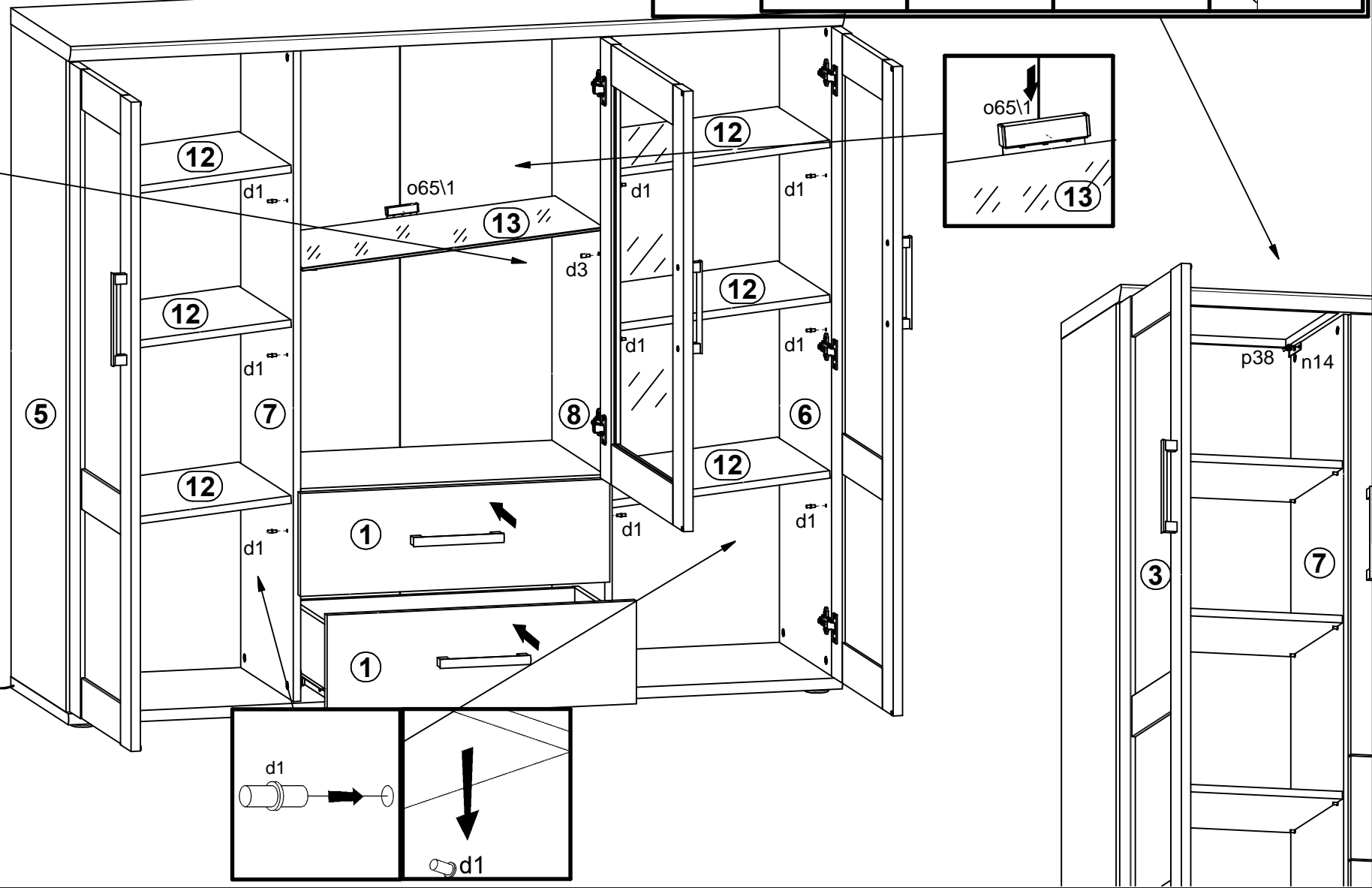
o65v2

This block shows a diagram of a cable with a two-prong electrical plug.

d1

d1

This block shows a diagram of a screw being inserted into a hole in a wooden component. Below it is a diagram of a cap being pushed onto a protrusion.



11

