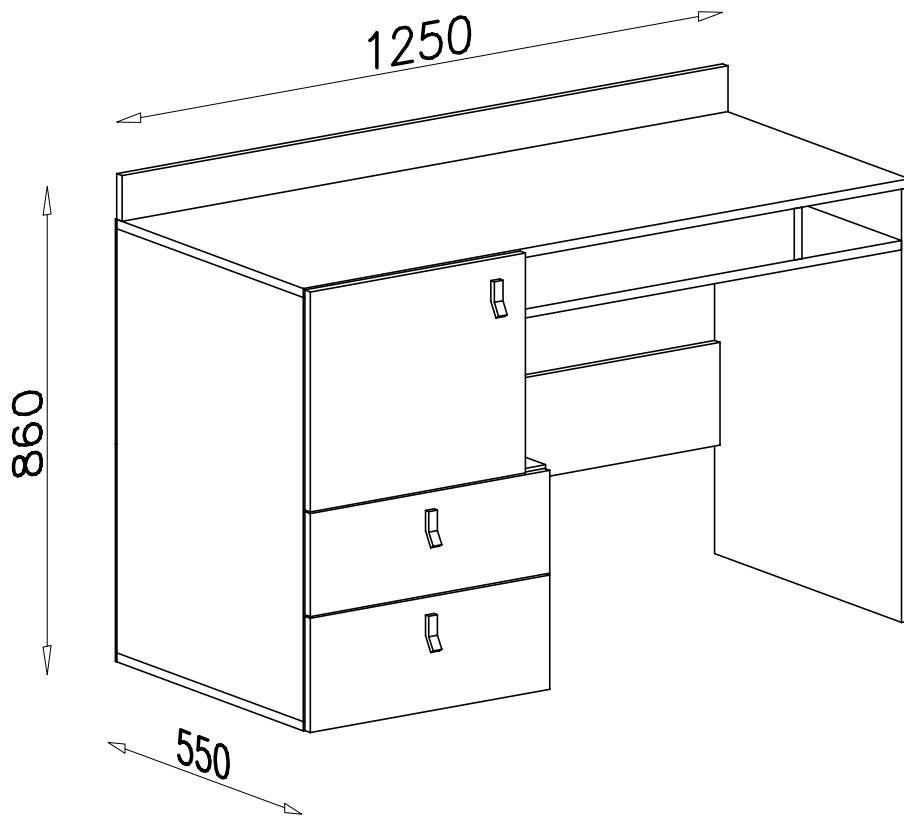
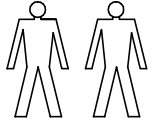
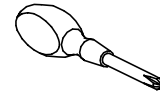
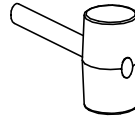
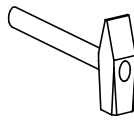
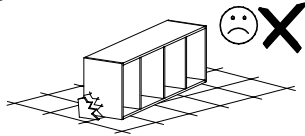
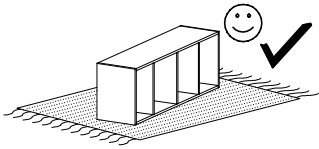


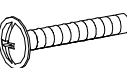


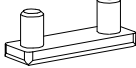

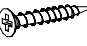
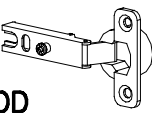



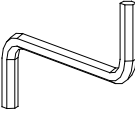


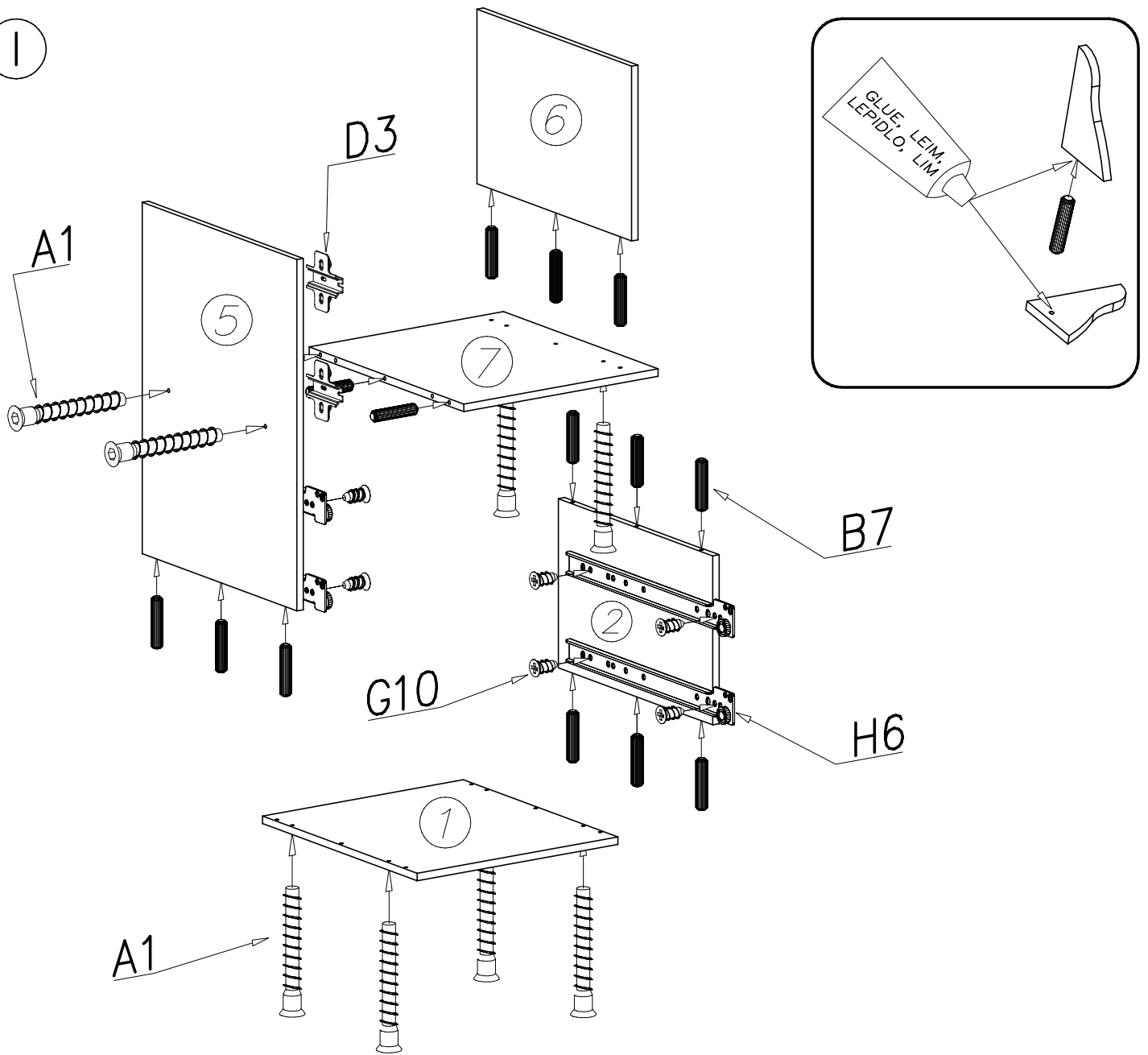


# PLANET PL 9

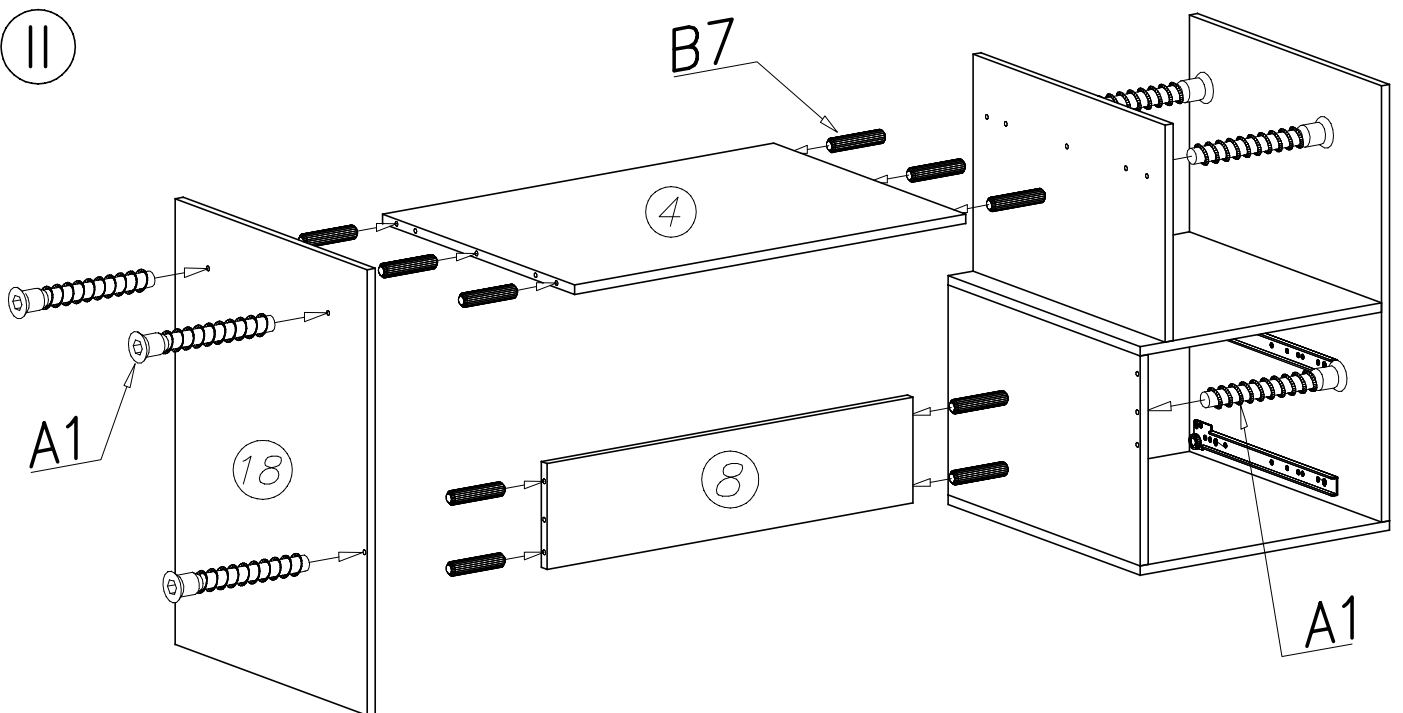


E37  x3	W1  GLUE, LEIM, LEPIDLO, LIM x3	N13  4x20 x6	D3  PZ35PR x2	H6  x2
P3  x6	G4  4x16 x16	G2  3x20 x40	C4  Z350D x2	400mm  x2
A1  ø7x50 x18	B7  ø8x30 x60	W2  x1	S2  x5	G10  6x13 x8

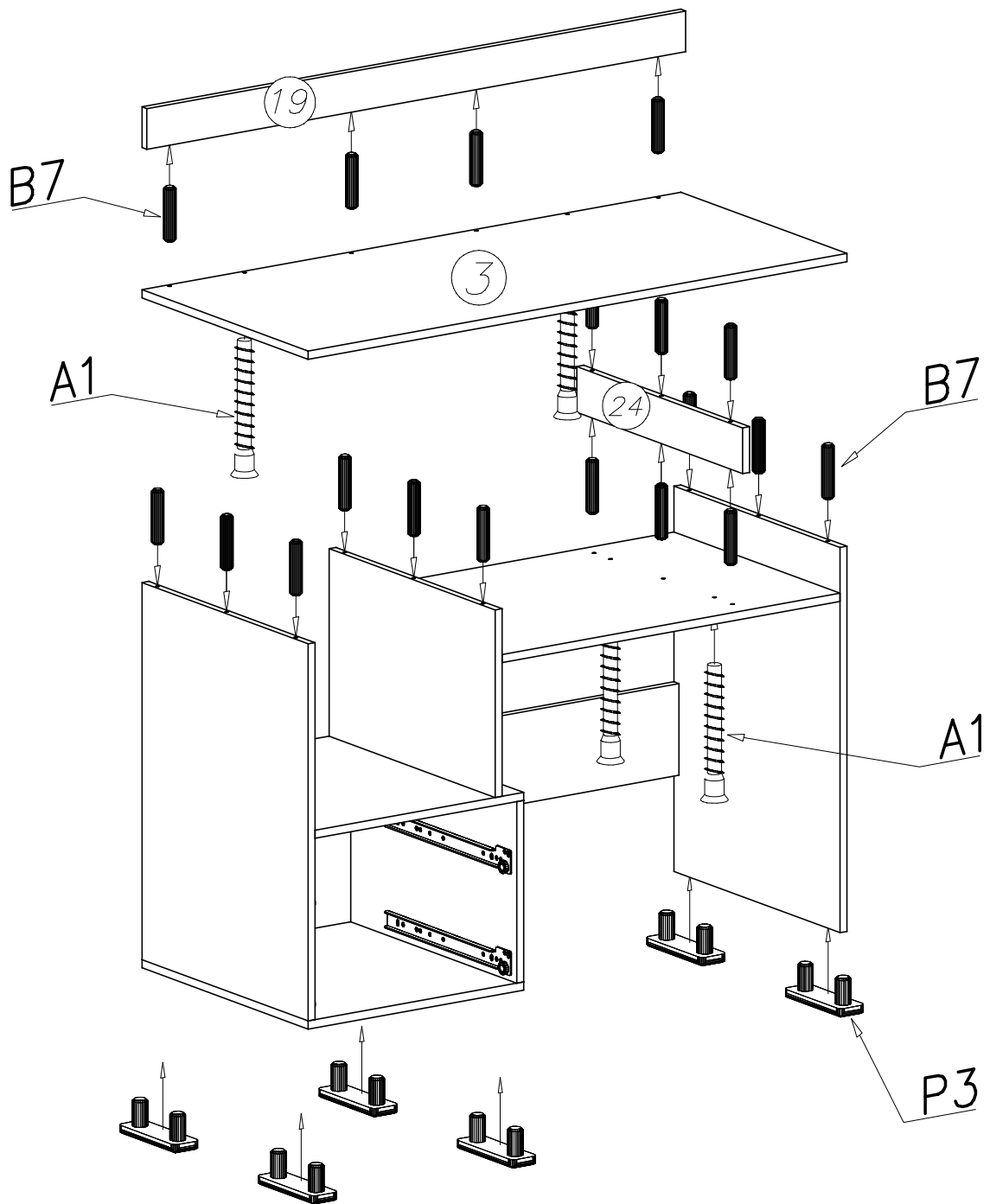
I



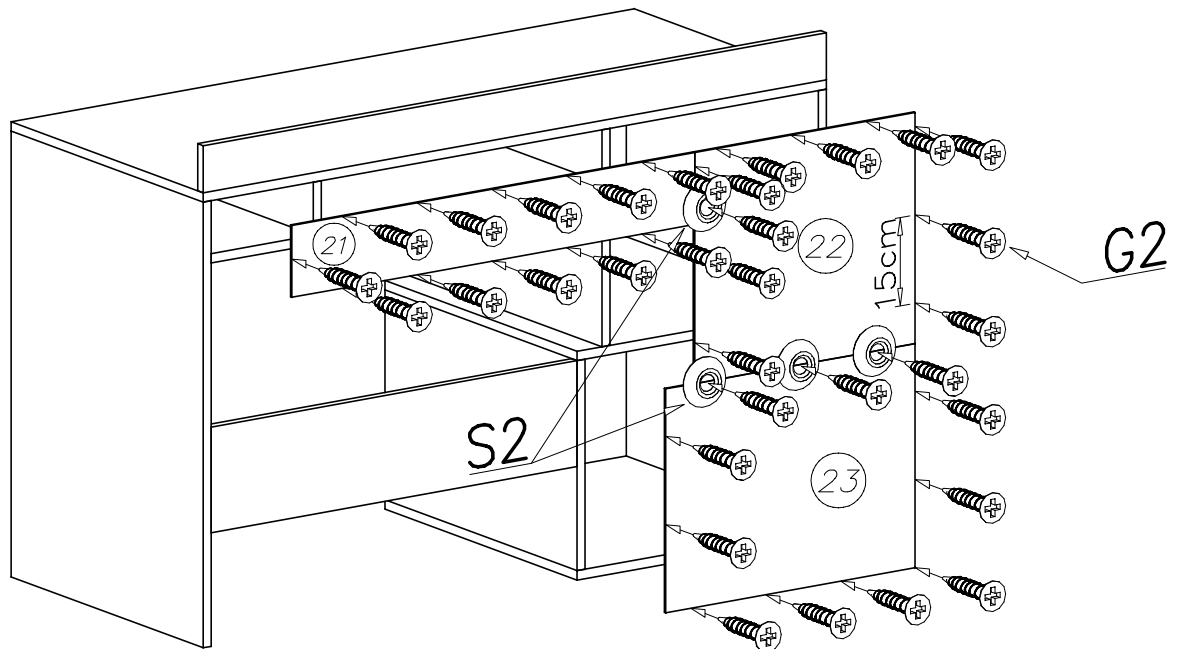
II



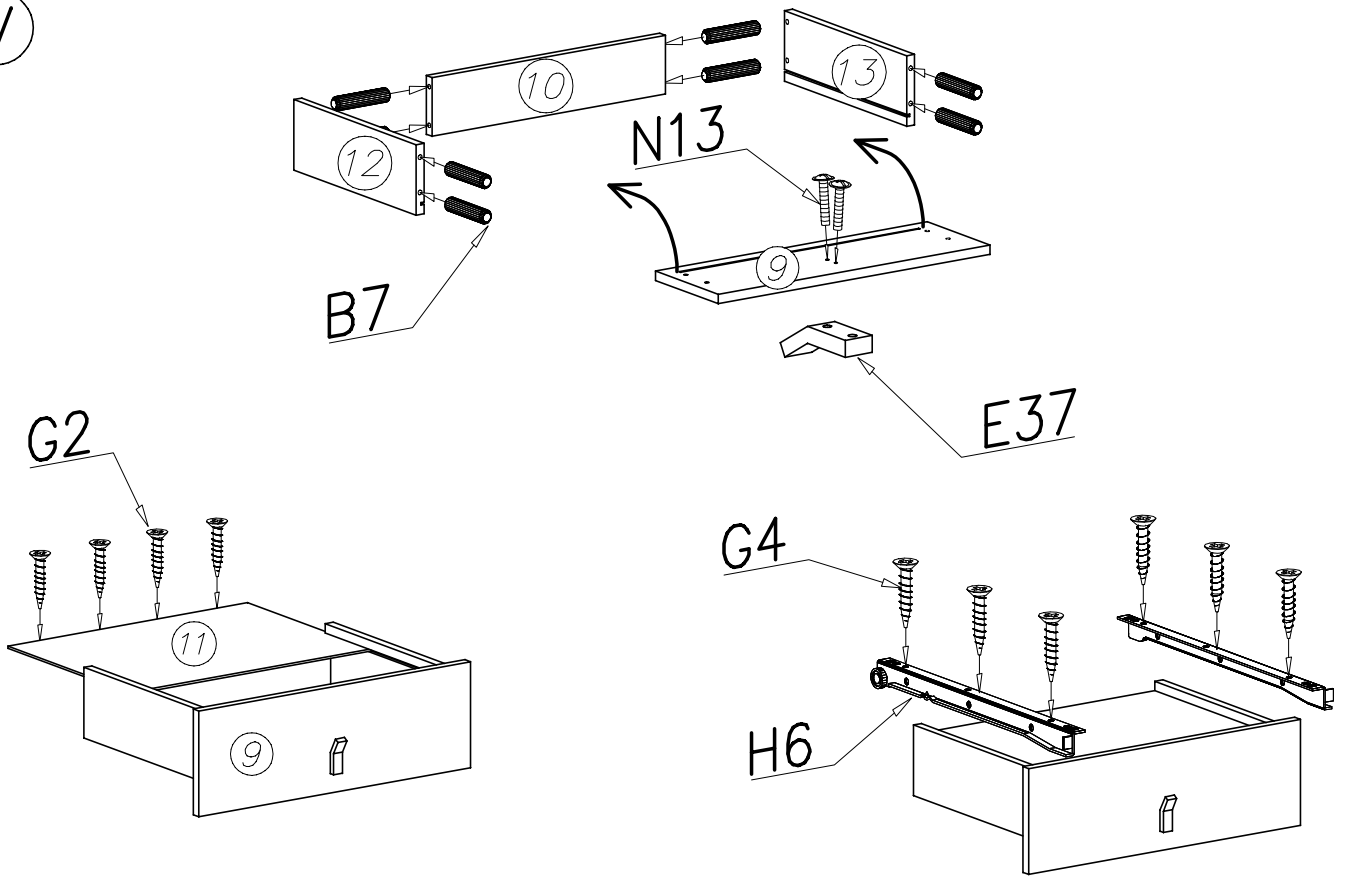
III



IV



V



VI

