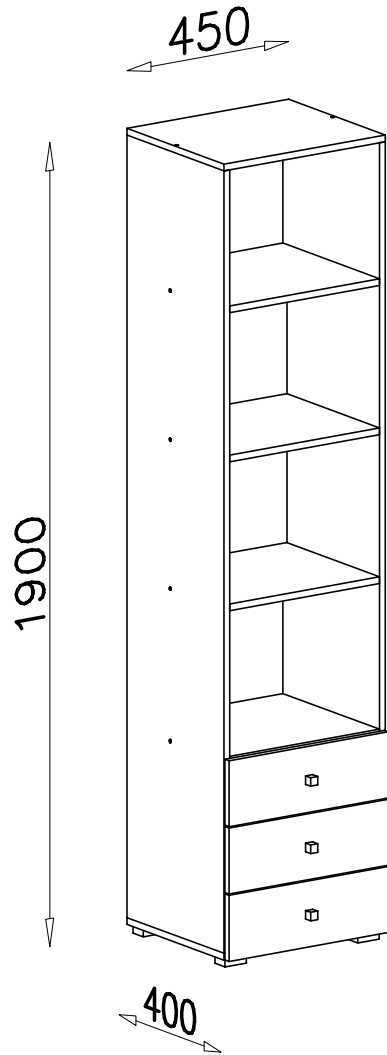
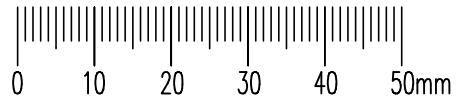
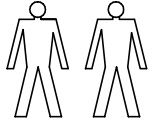
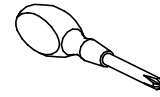
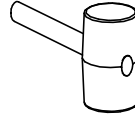
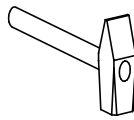
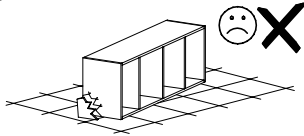
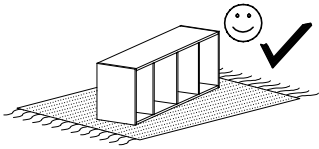

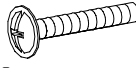
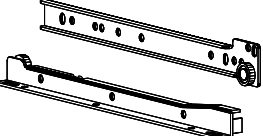
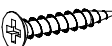
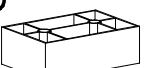

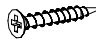
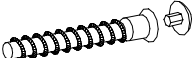

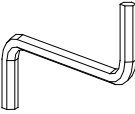
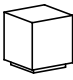

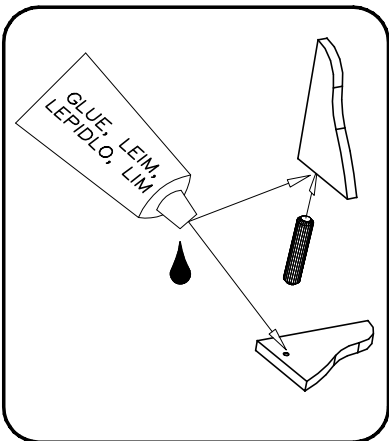
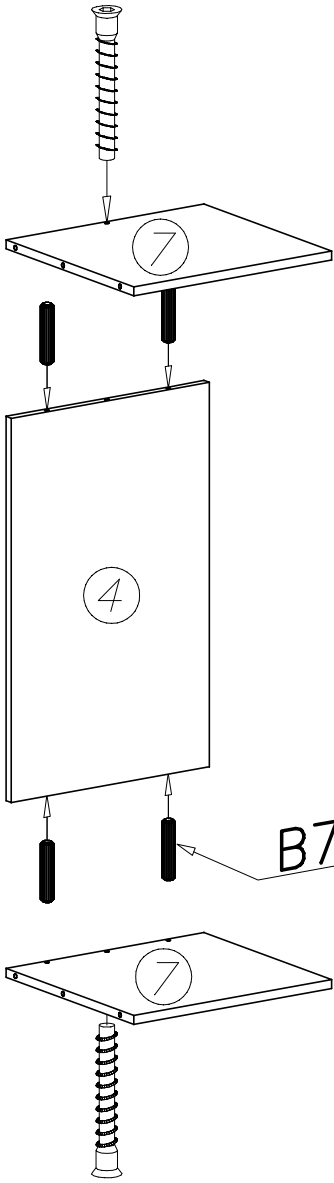


SIGMA SI7

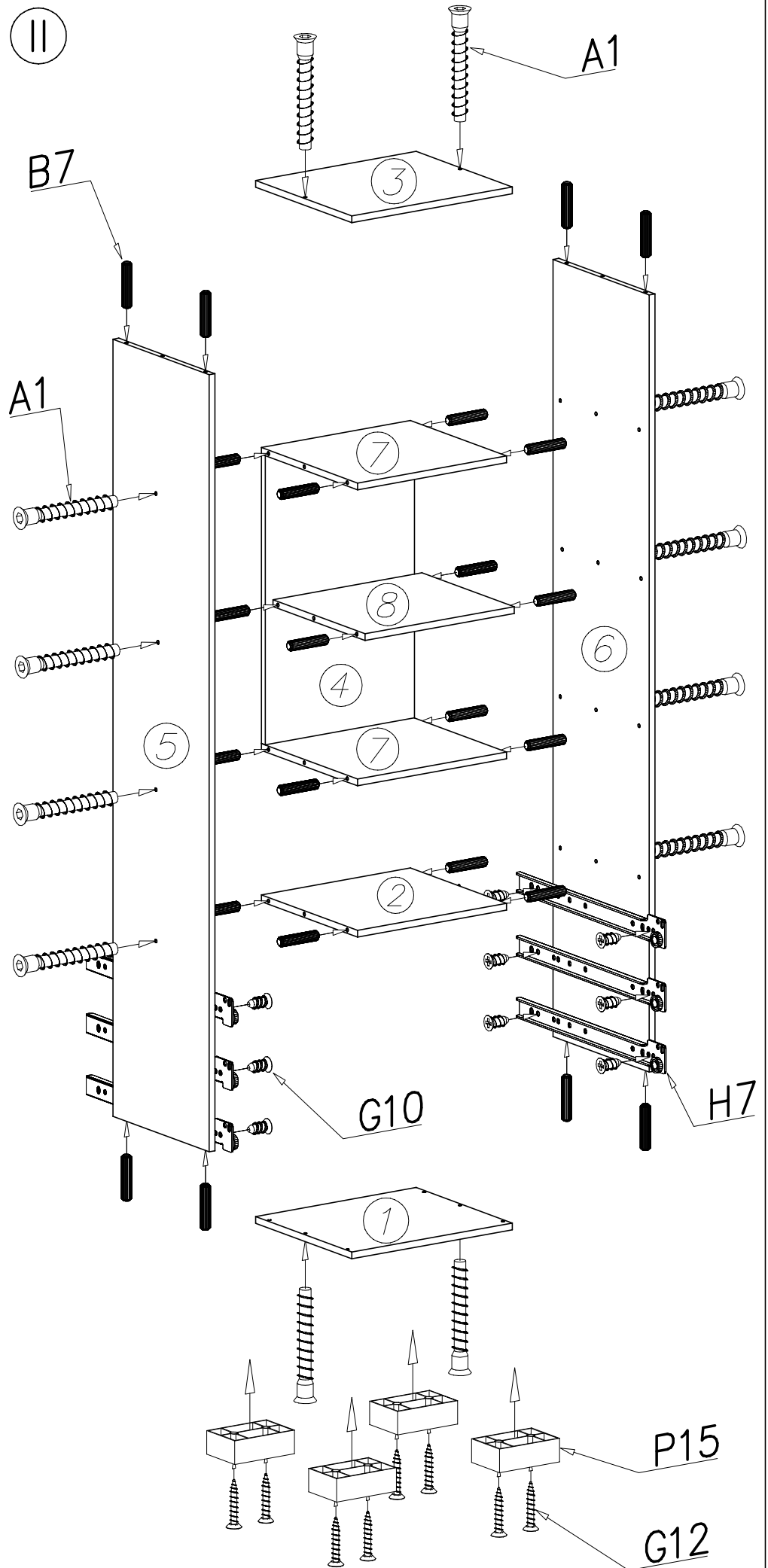


		W1  GLUE, LEIM, LEPIDLO, LIM x3	N13  M4x22 x3	H7  350mm x3
G12  3,5x25 x8	P15  x4	G4  4x16 x18	G2  3x20 x40	
A1  ø7x50 x14	B7  ø8x30 x52	W2  x1	E38  x3	G10  6x13 x12

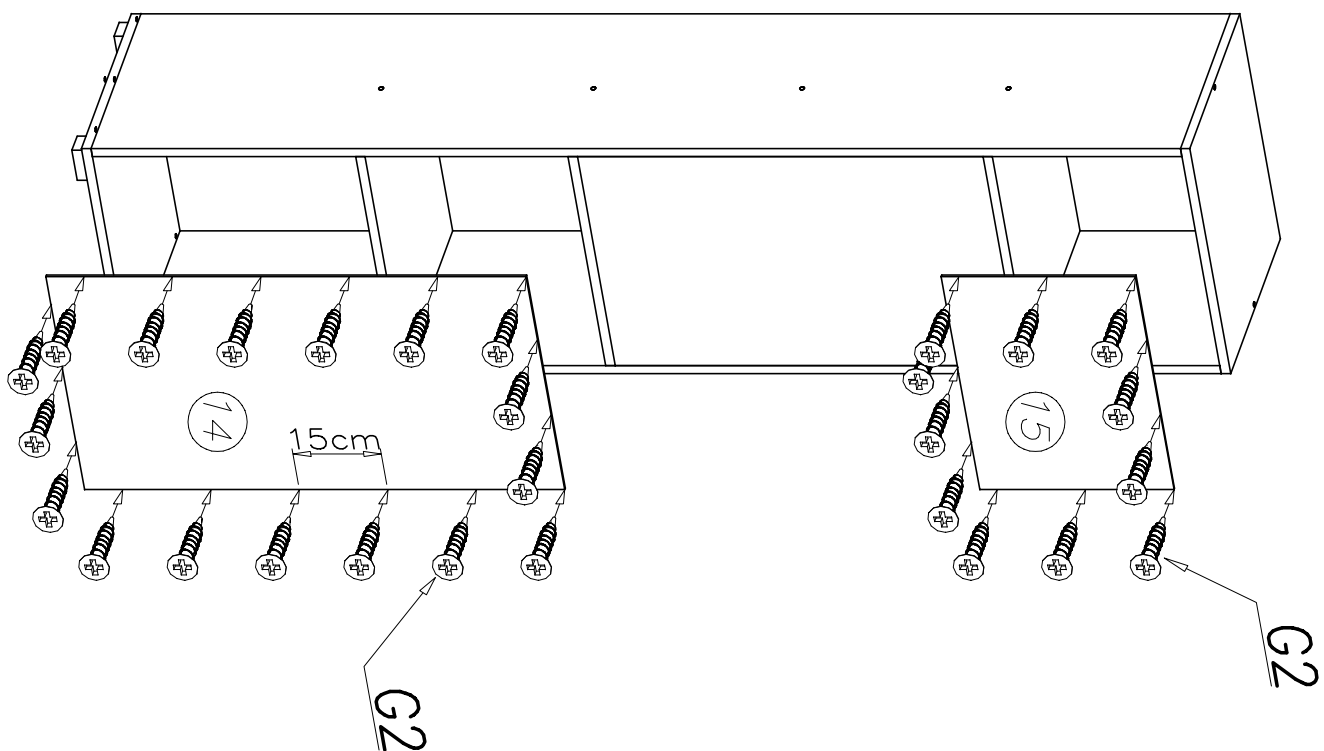
I



II



III



IV

