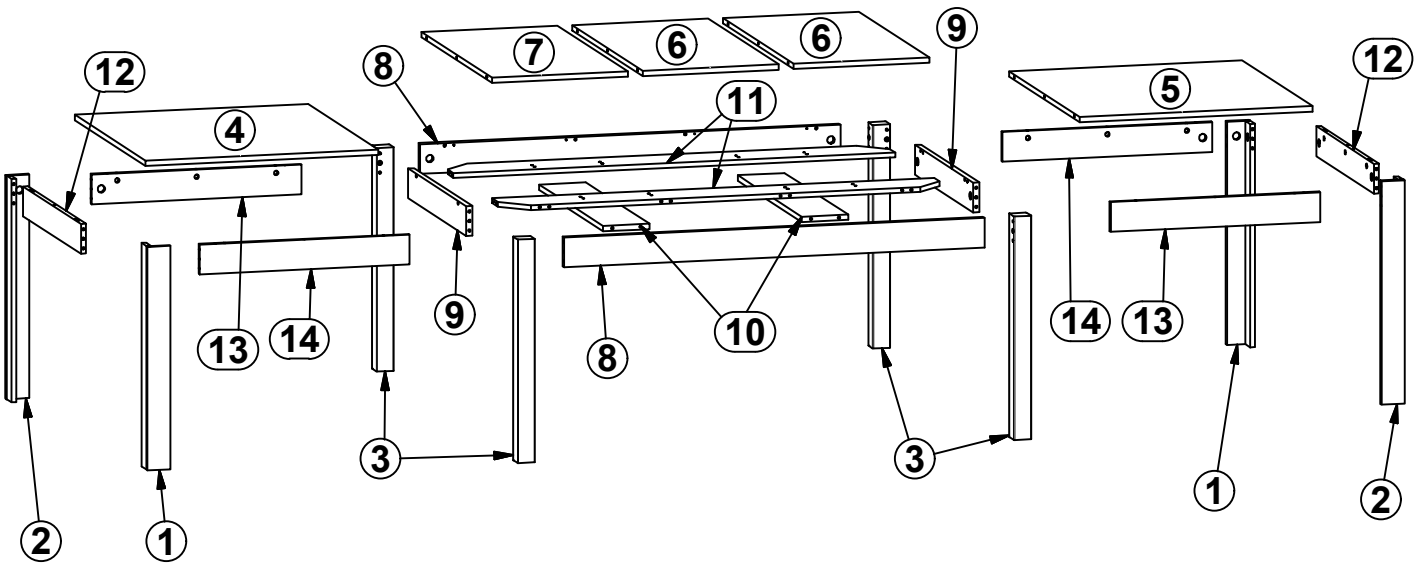
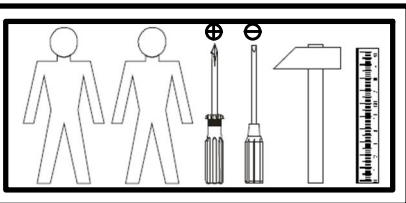
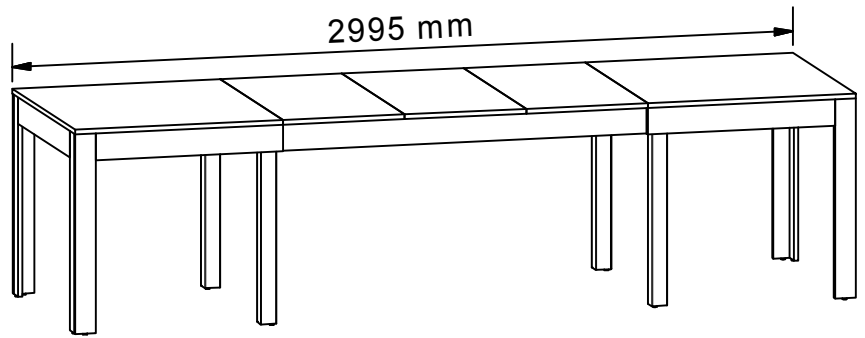
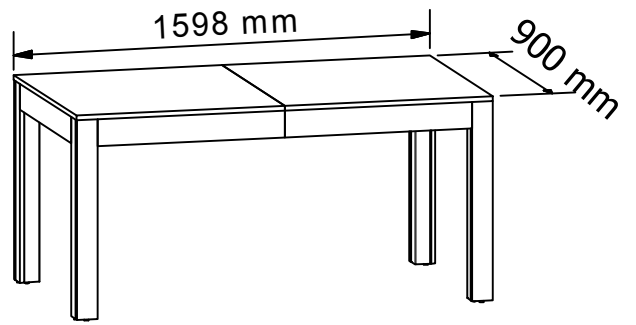
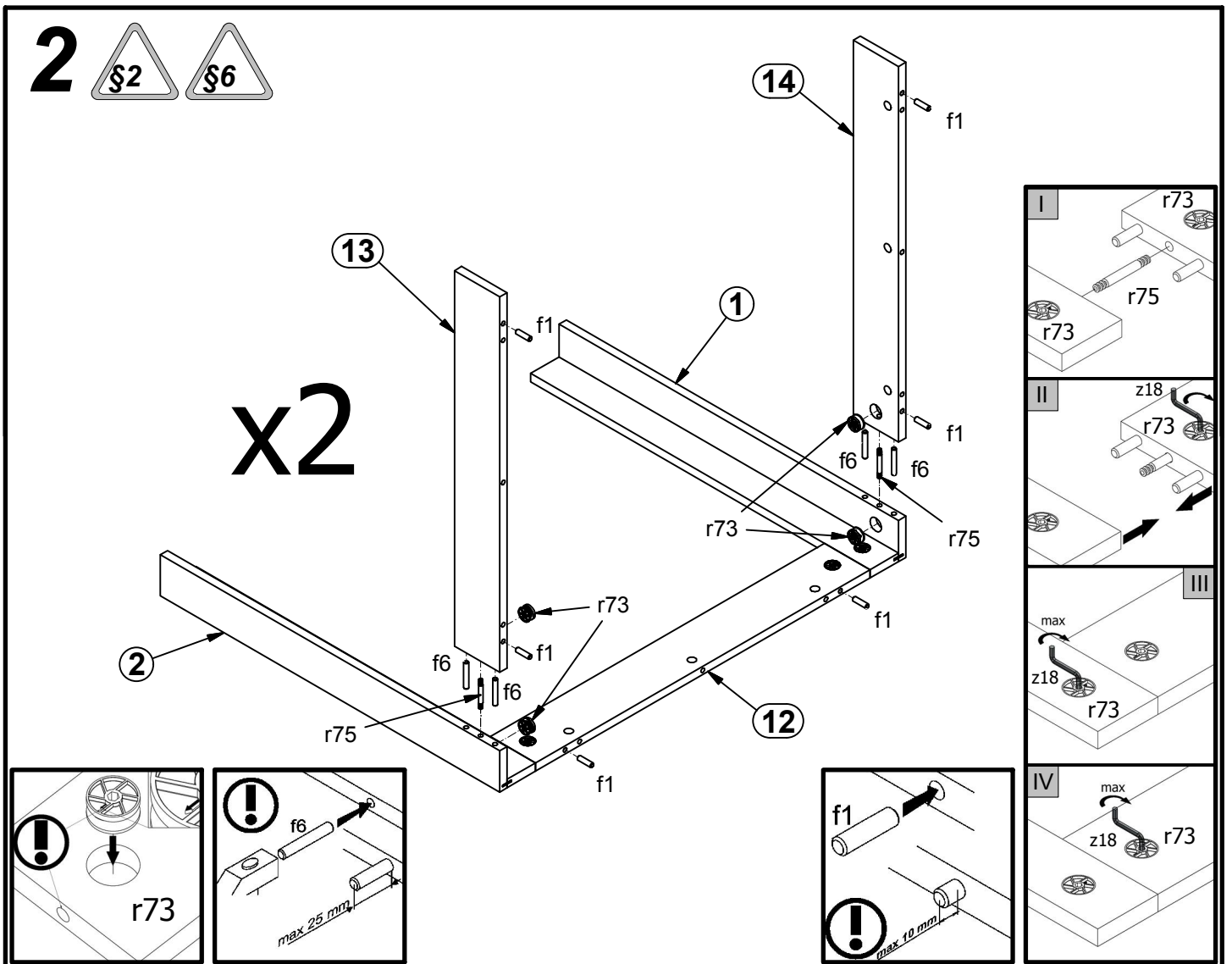
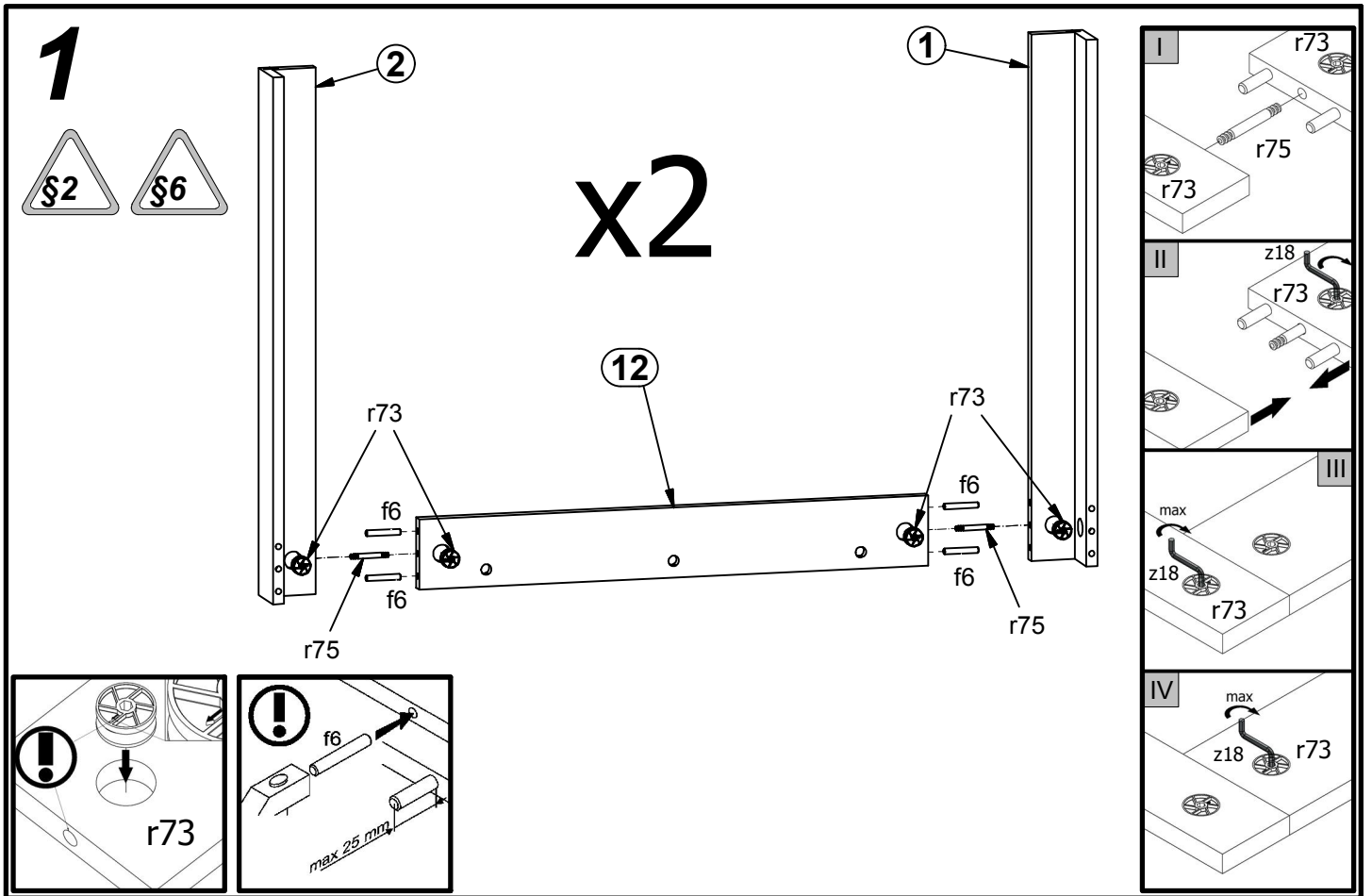


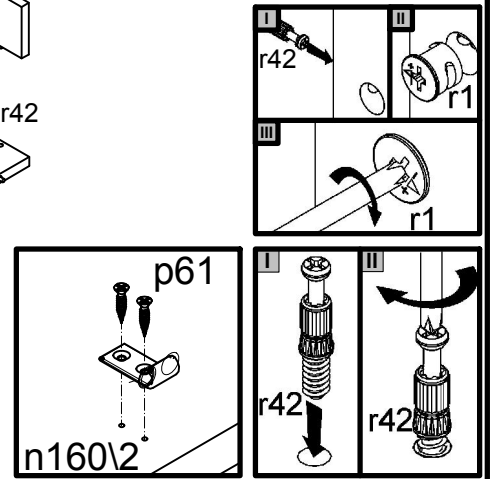
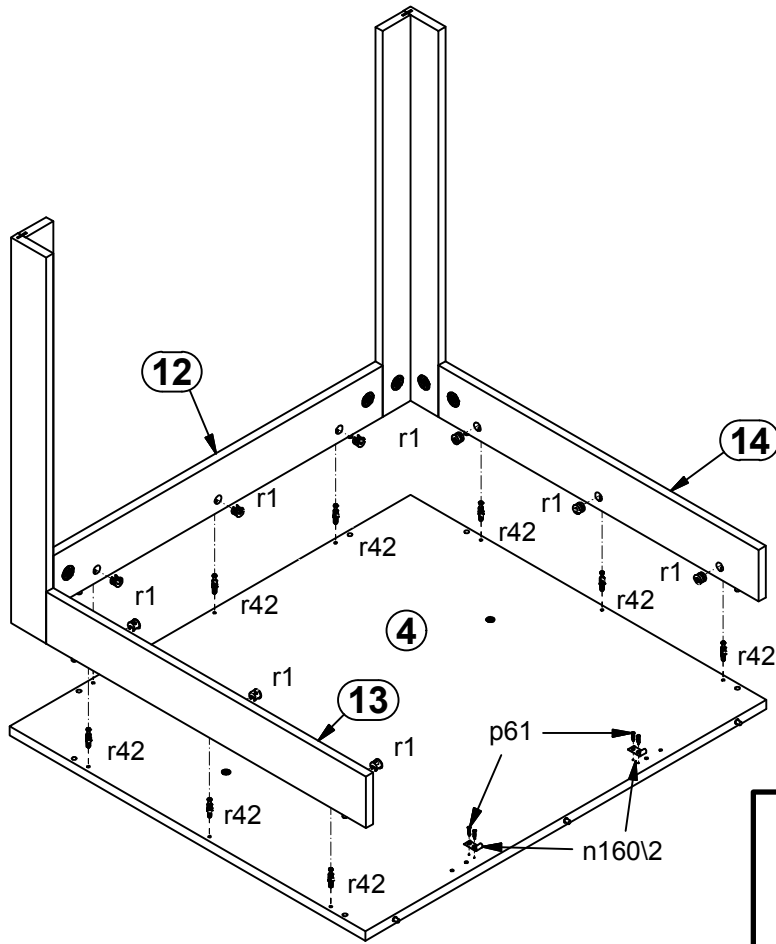
A	B	C		D
1	D09040-1001	750	79	2/2
2	D09040-1002	750	79	2/2
3	D09047-101	750	60	2/2
4	D09047-201	900	798	1/2
5	D09047-202	900	798	1/2
6	D09047-203	900	476	1/2
7	D09047-204	900	476	1/2
8	D09047-401	1439	100	2/2
9	D09047-402	743	100	2/2
10	D09047-403	811	160	2/2
11	D09047-404	1507	142	2/2
12	D09040-4009	739	100	2/2
13	D09040-4010	718	100	2/2
14	D09040-4011	718	100	2/2



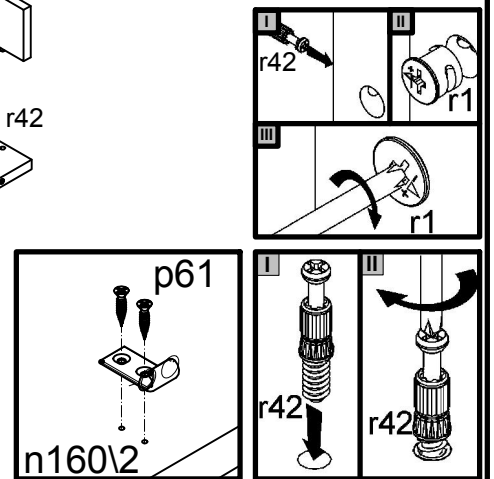
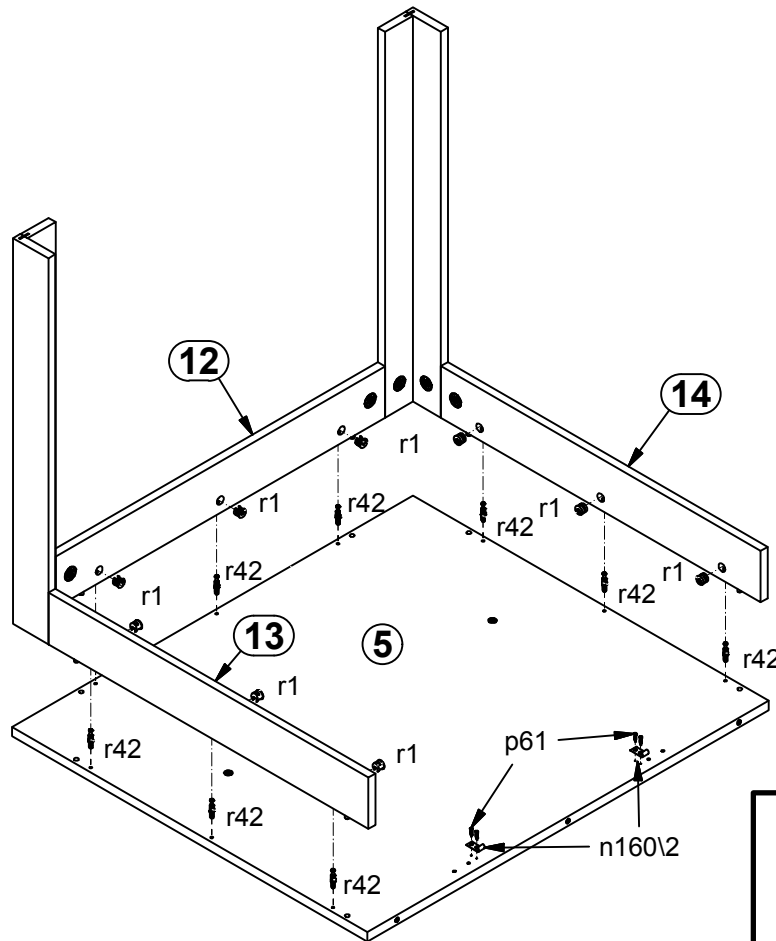
2x Ø6.3x15 mm d4	4x Ø7x50 mm e1	8x Ø6x13 mm e3	28x Ø8x30 mm f1	32x Ø8x50 mm f6	4x M6x25mm j189	16x k1	8x n160\1	8x n160\2
4x 50x27x20 mm n230	32x Ø3.5x16 mm p61	30x Ø15x12 mm #16 r1	30x 20/11 r42	24x Ø25x12mm#16 r73	8x r74	8x r75	1x 4 mm z1	1x 5 mm z18



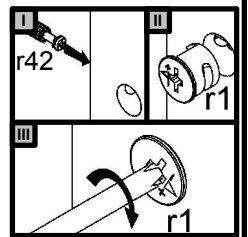
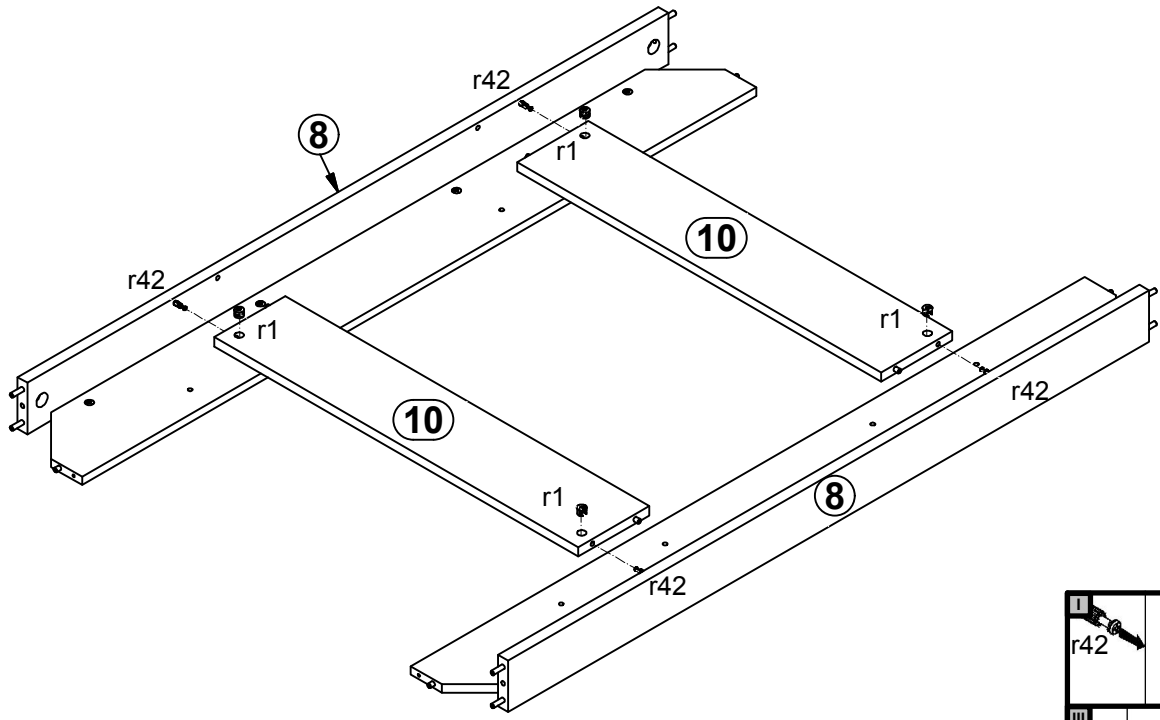
3



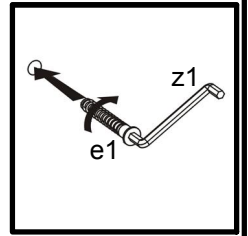
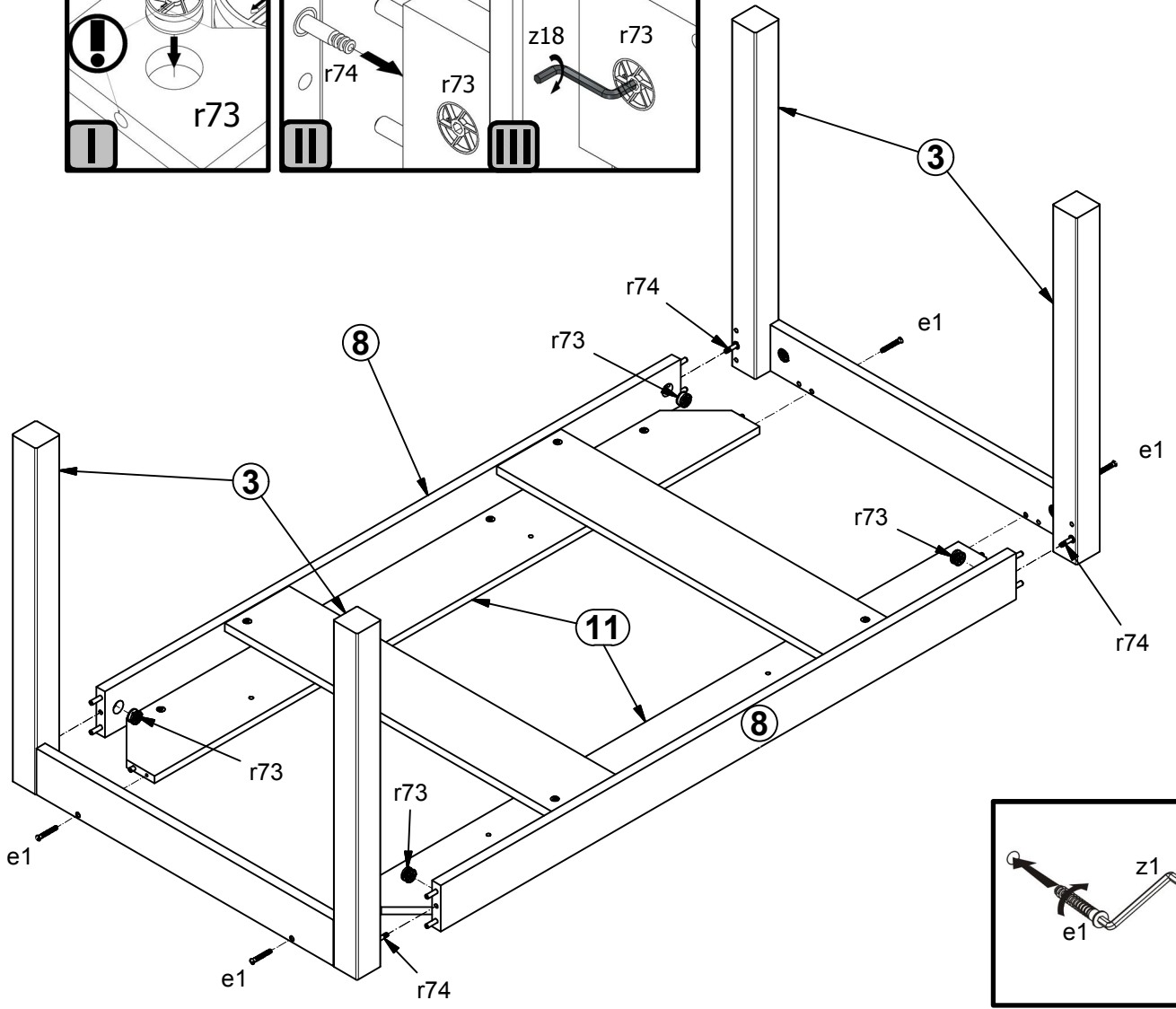
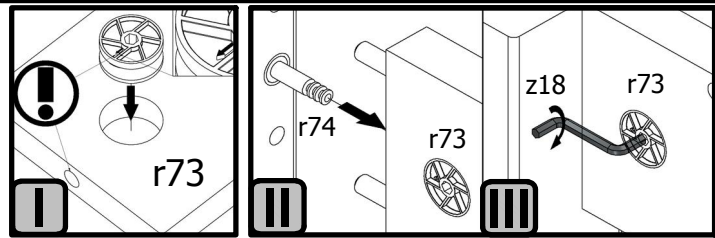
4



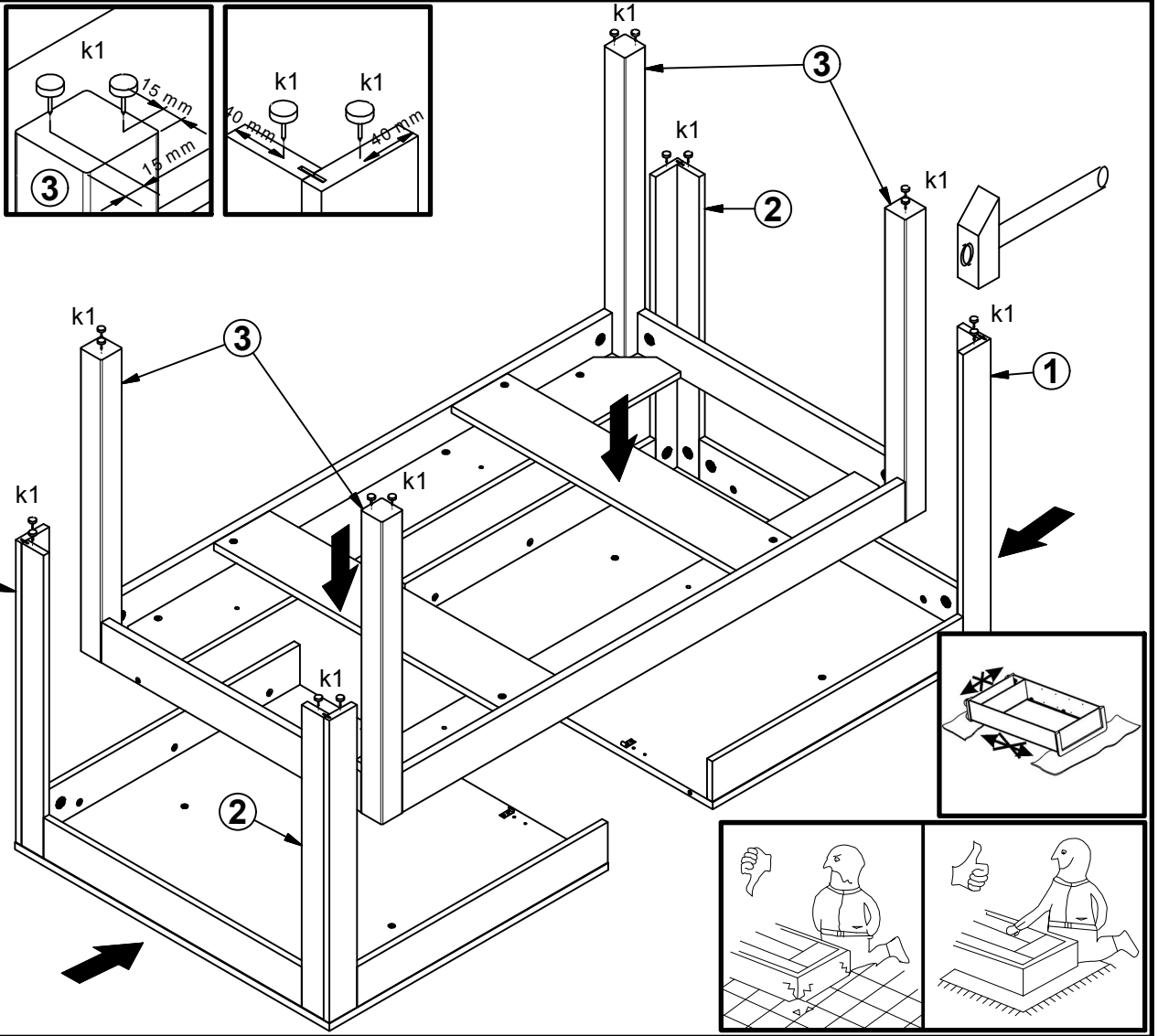
7



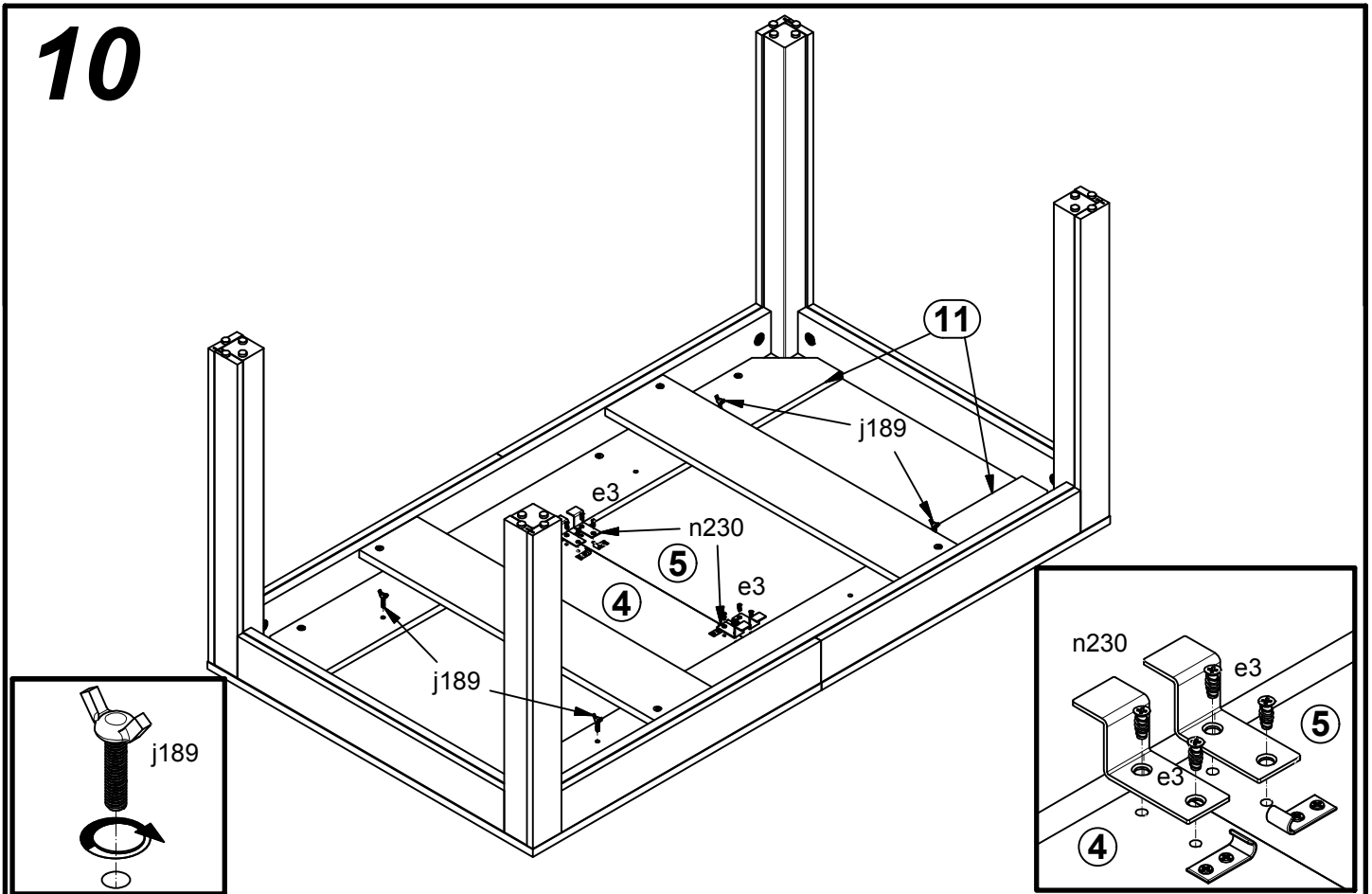
8



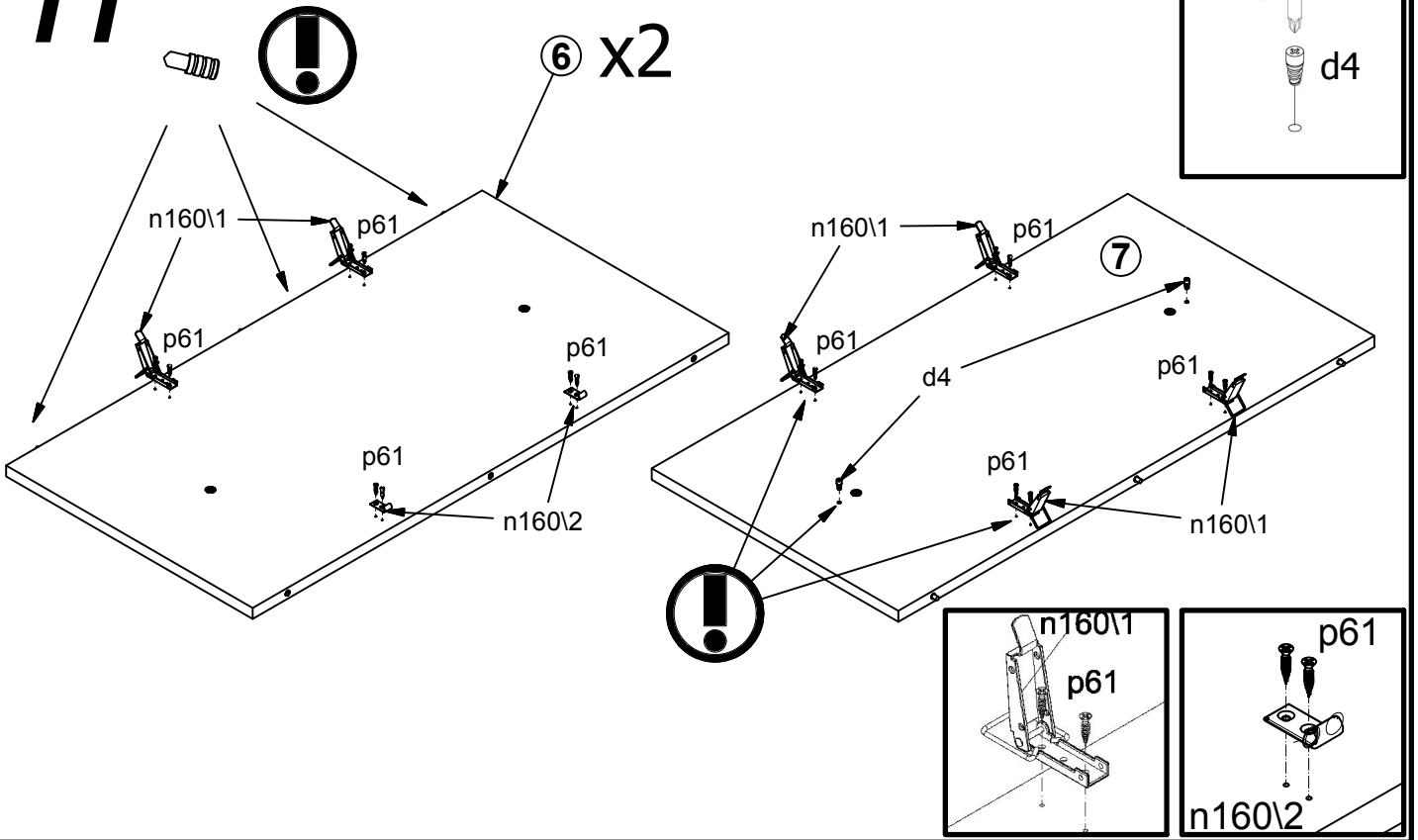
9



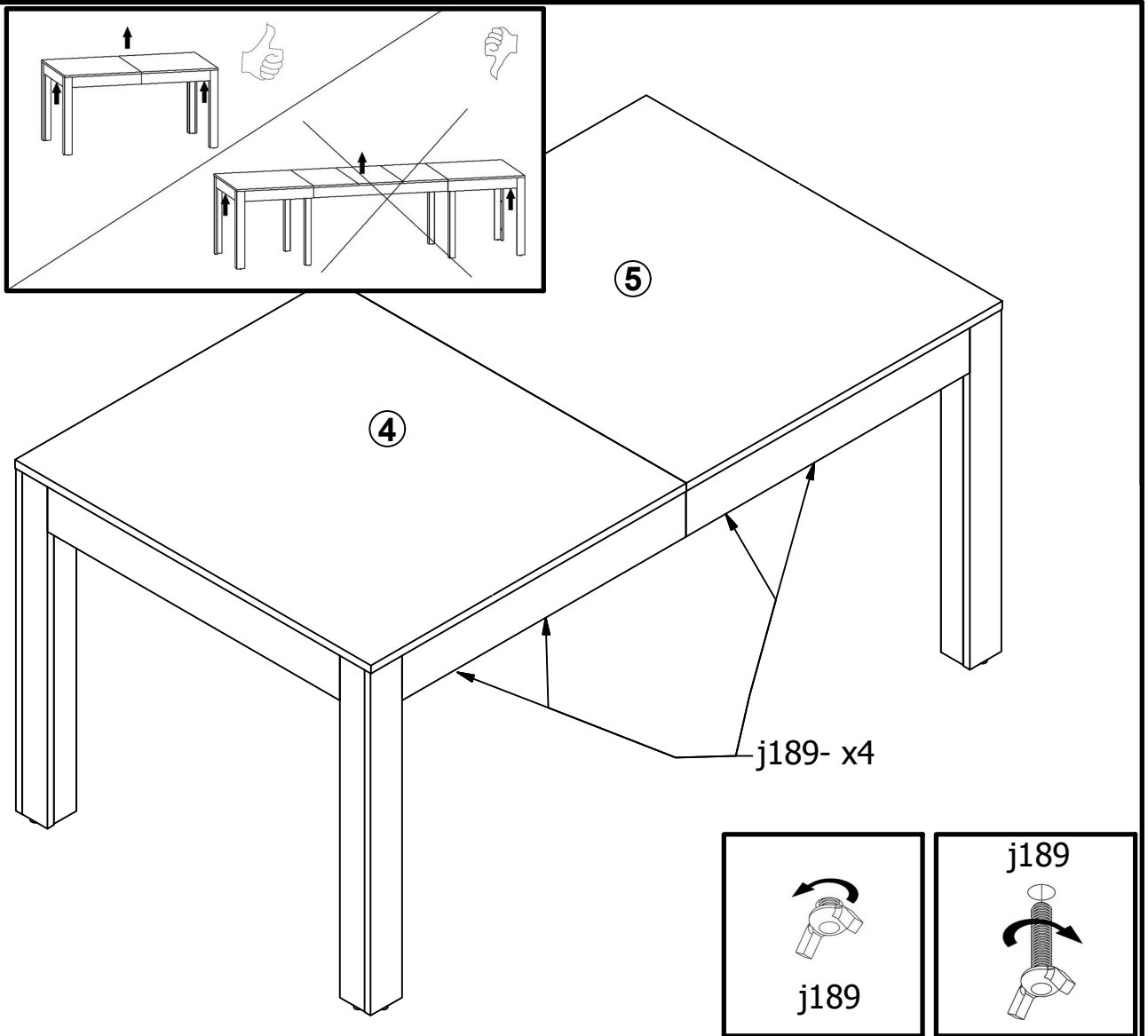
10



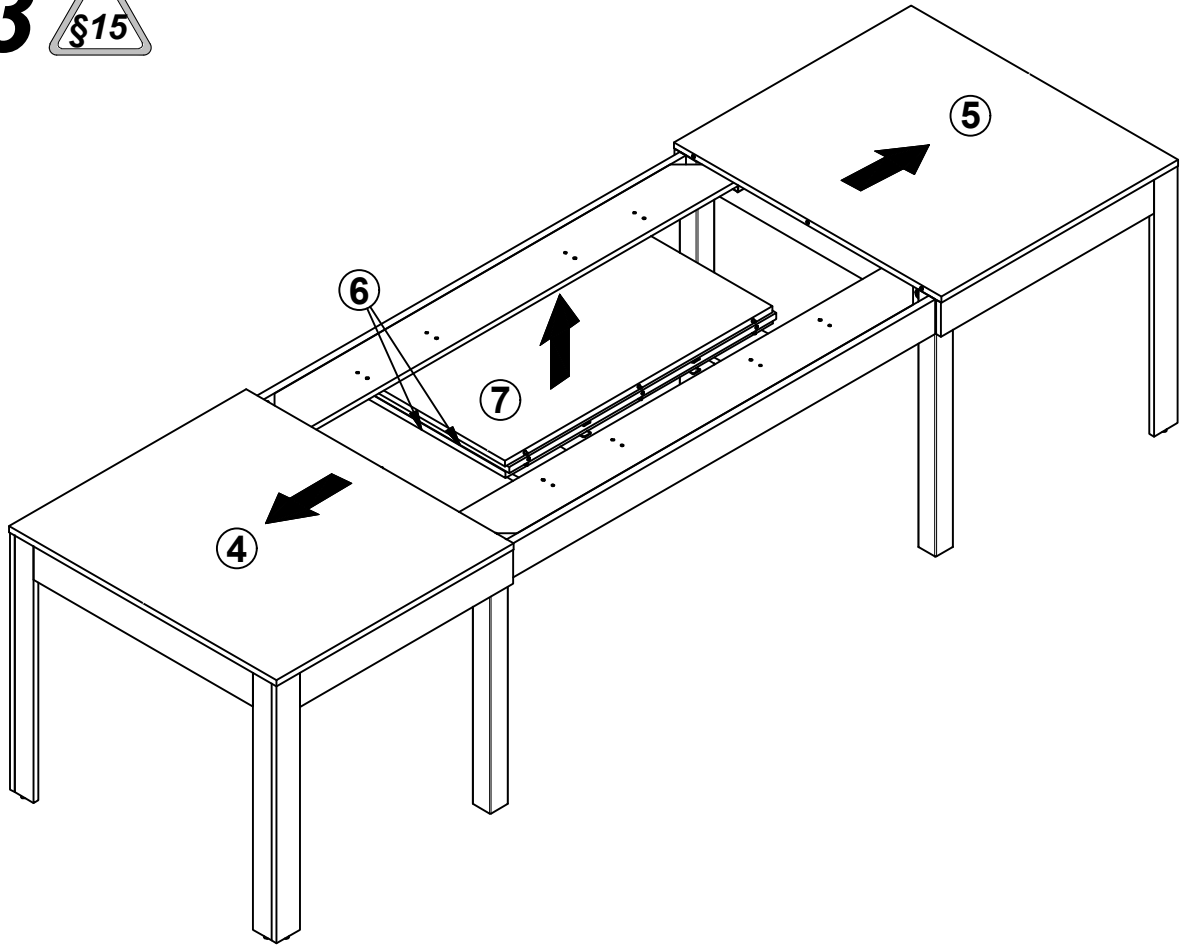
11



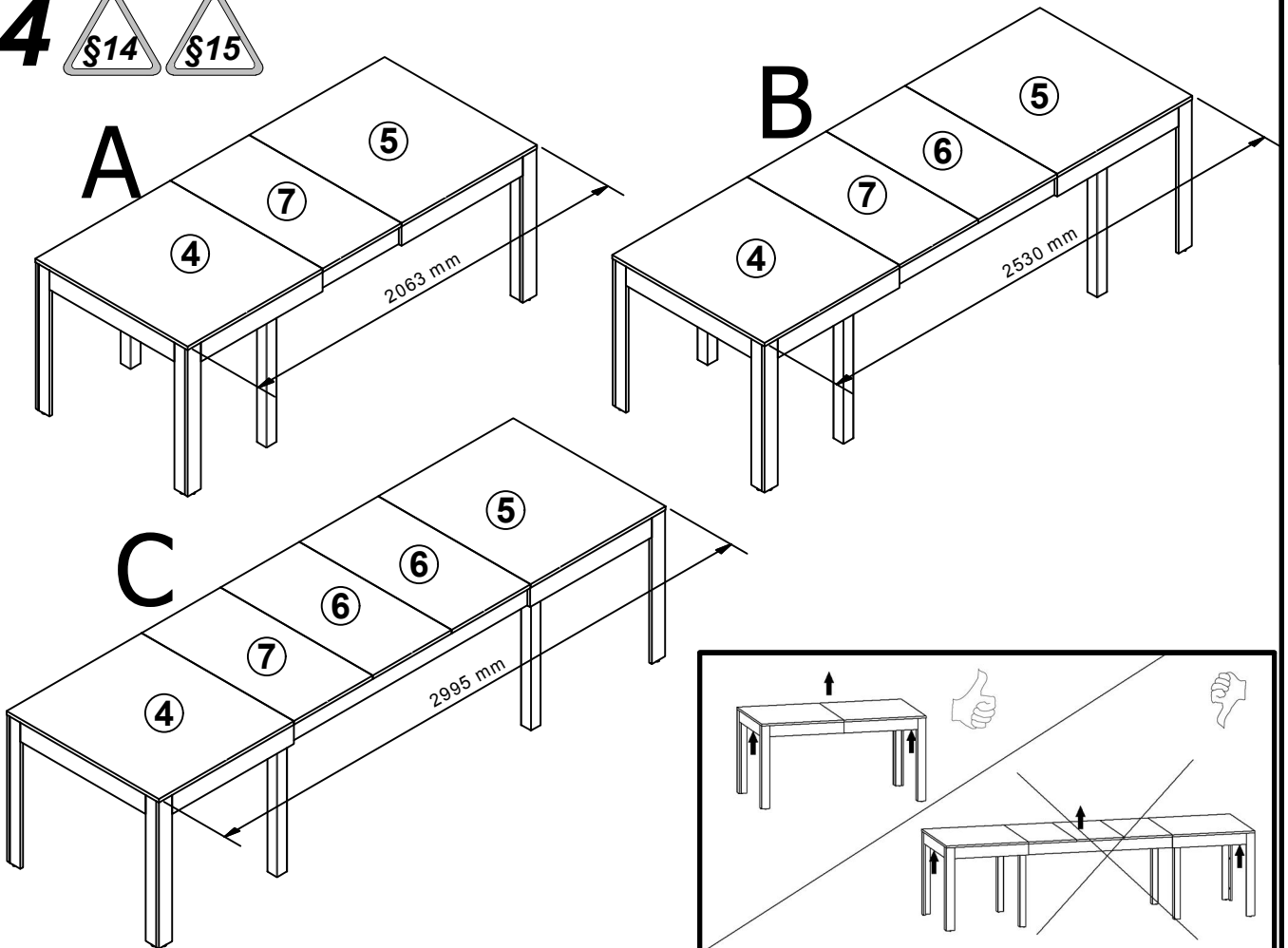
12



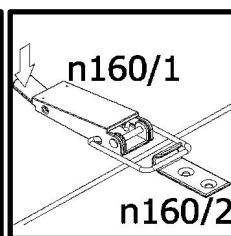
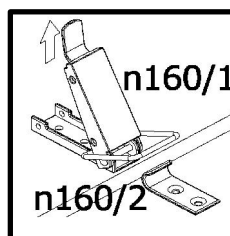
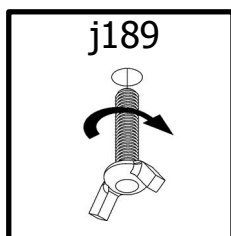
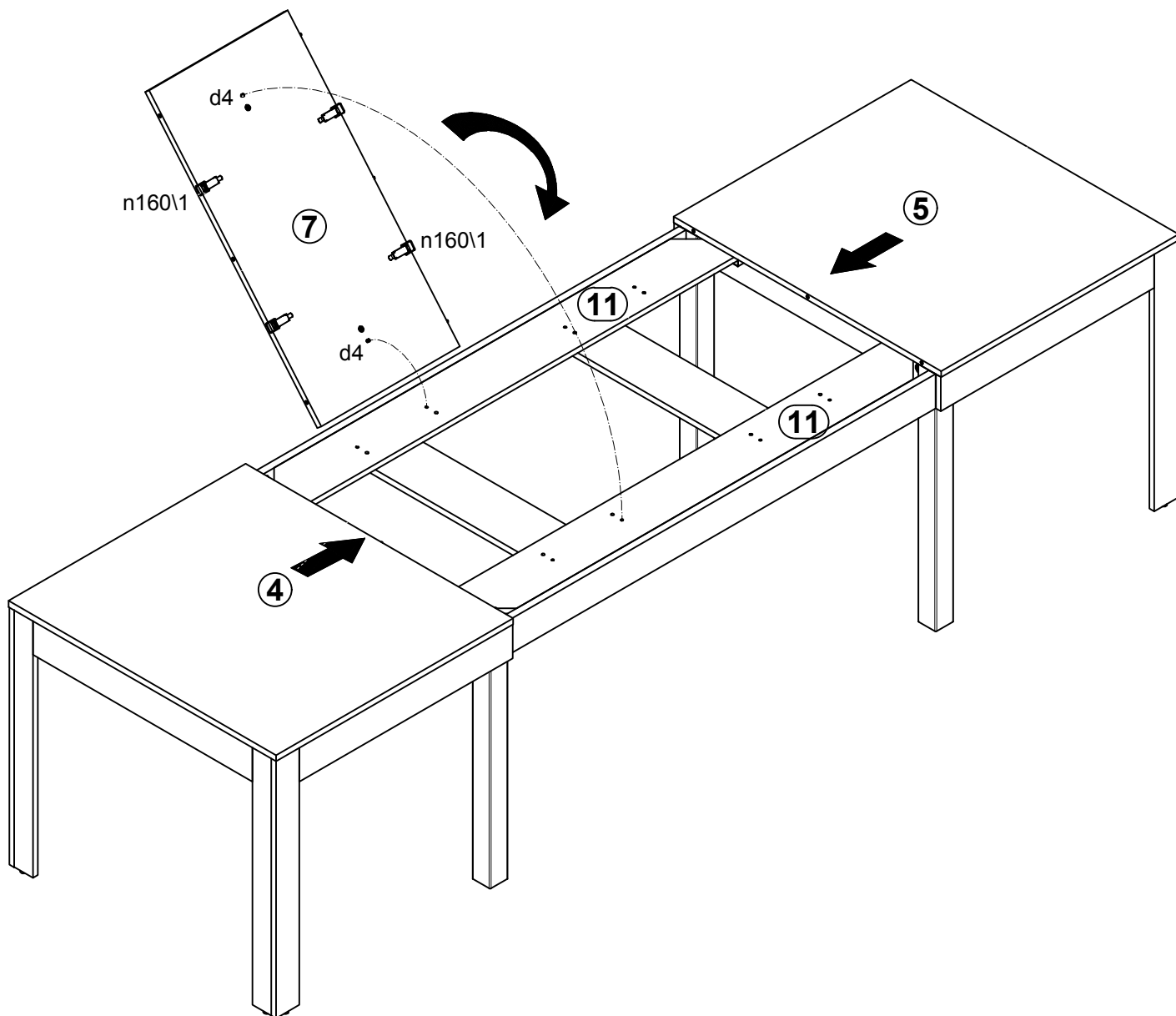
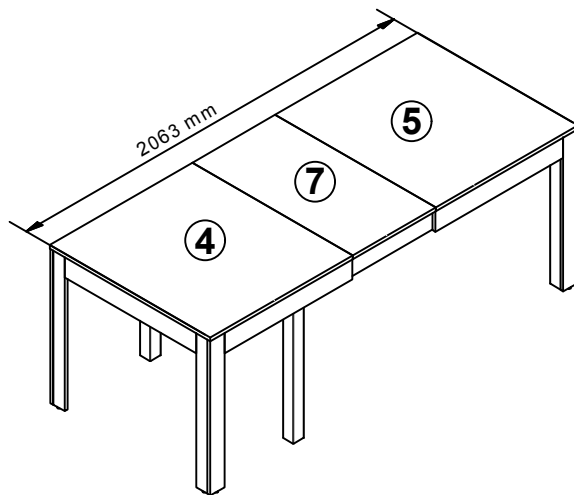
13



14



14 A



14 B

