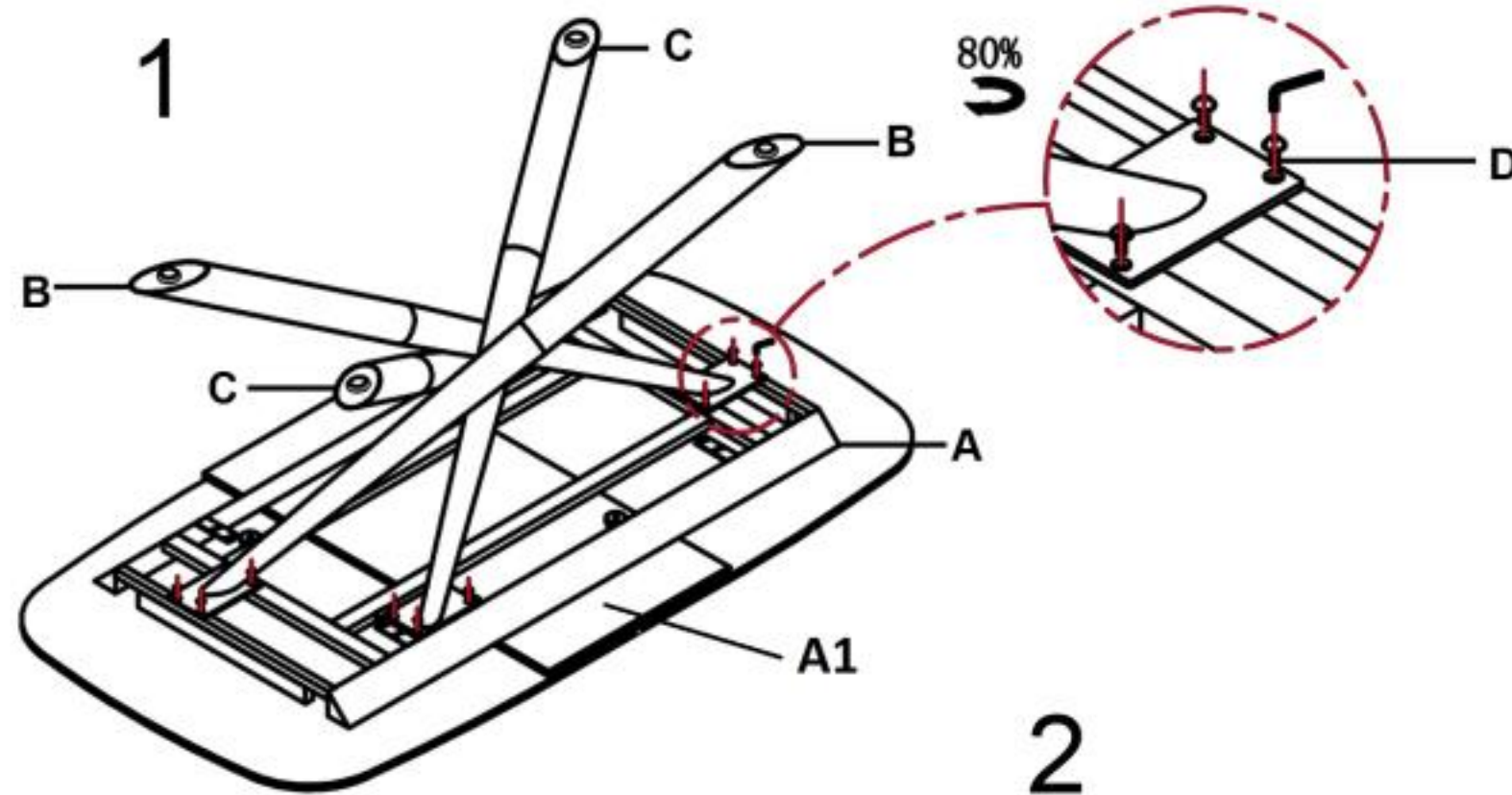
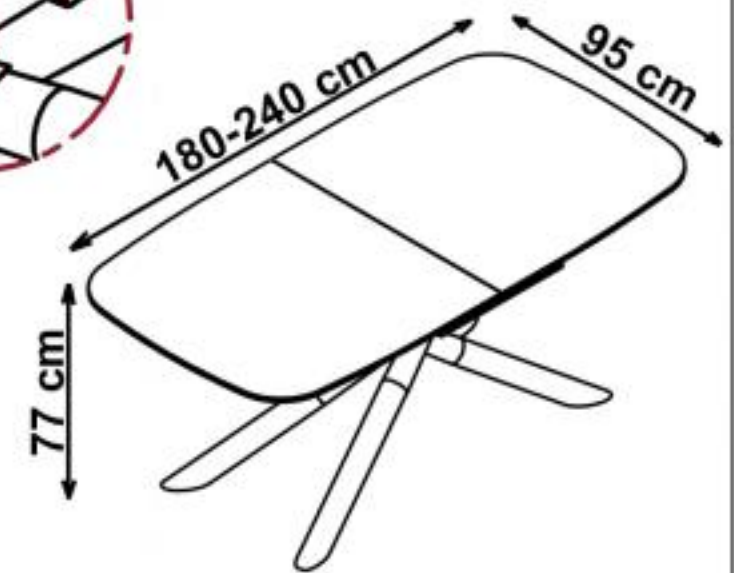
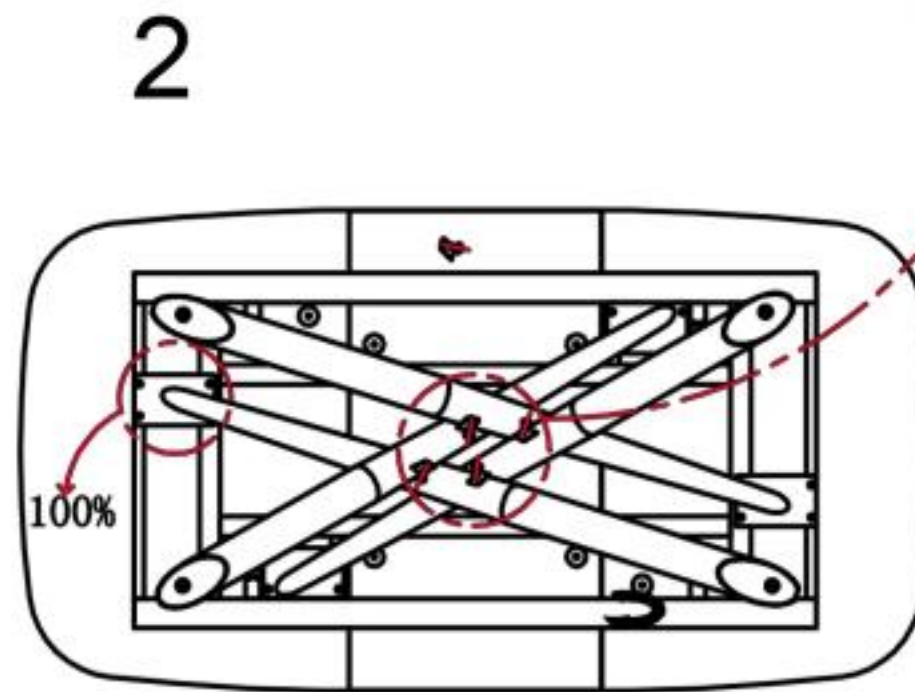



CAPELLO



A		1
A1		1
B		2
C		2
D		20



 max. 60 kg



v.2