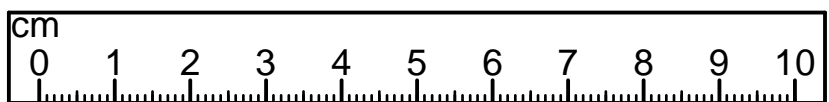
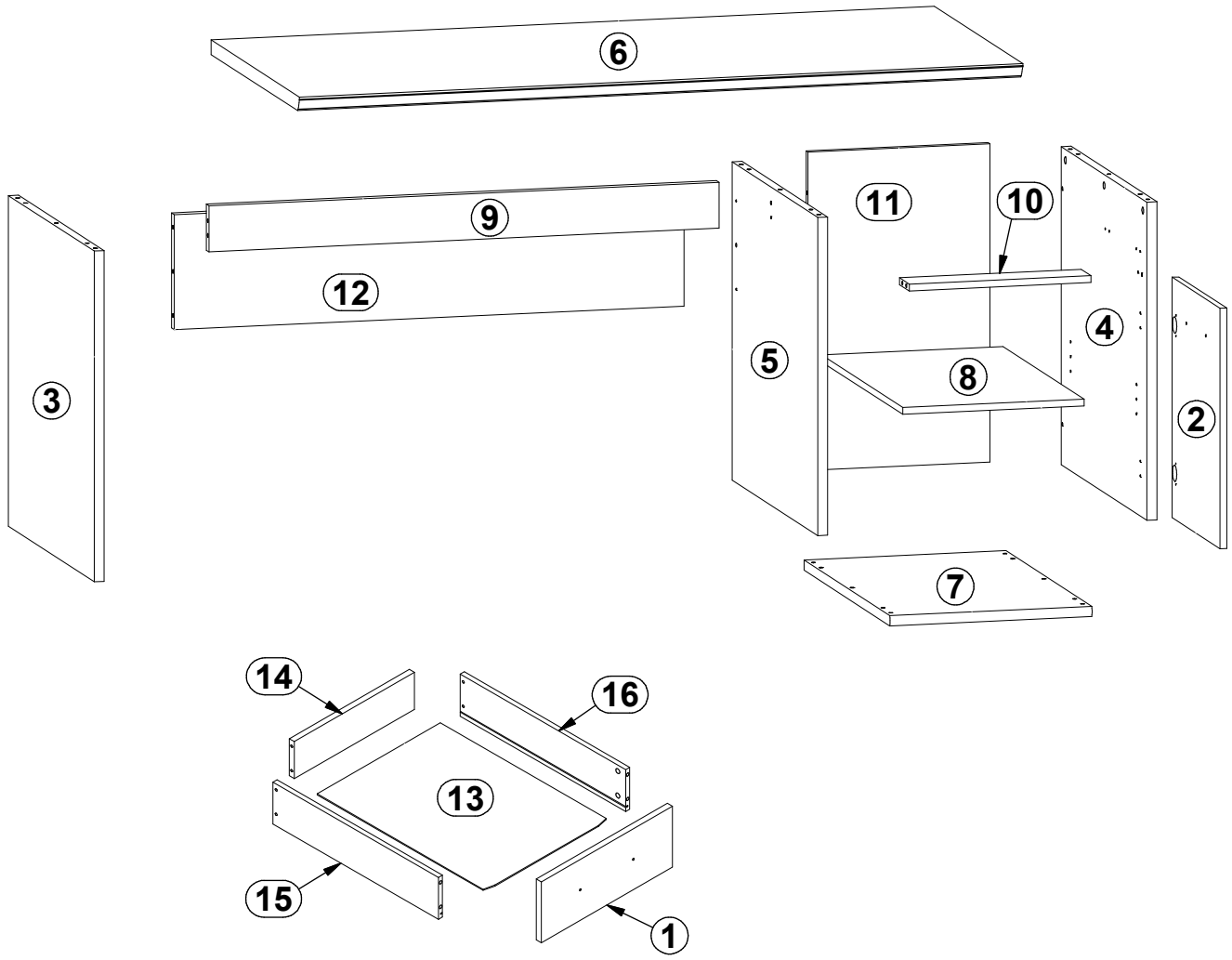
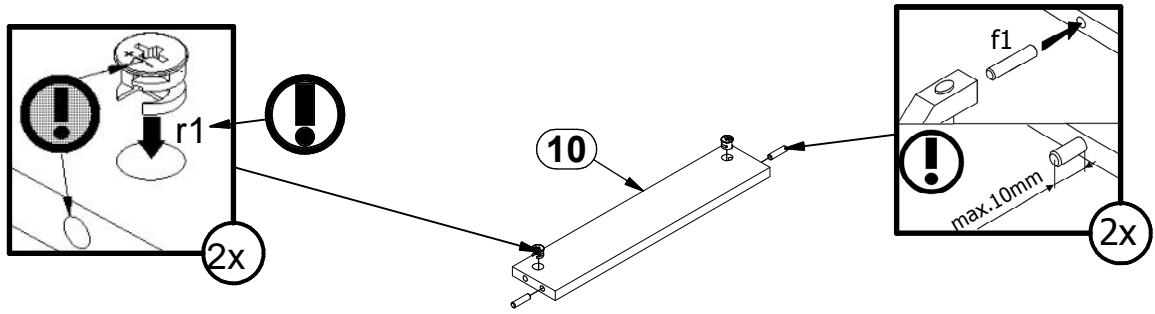
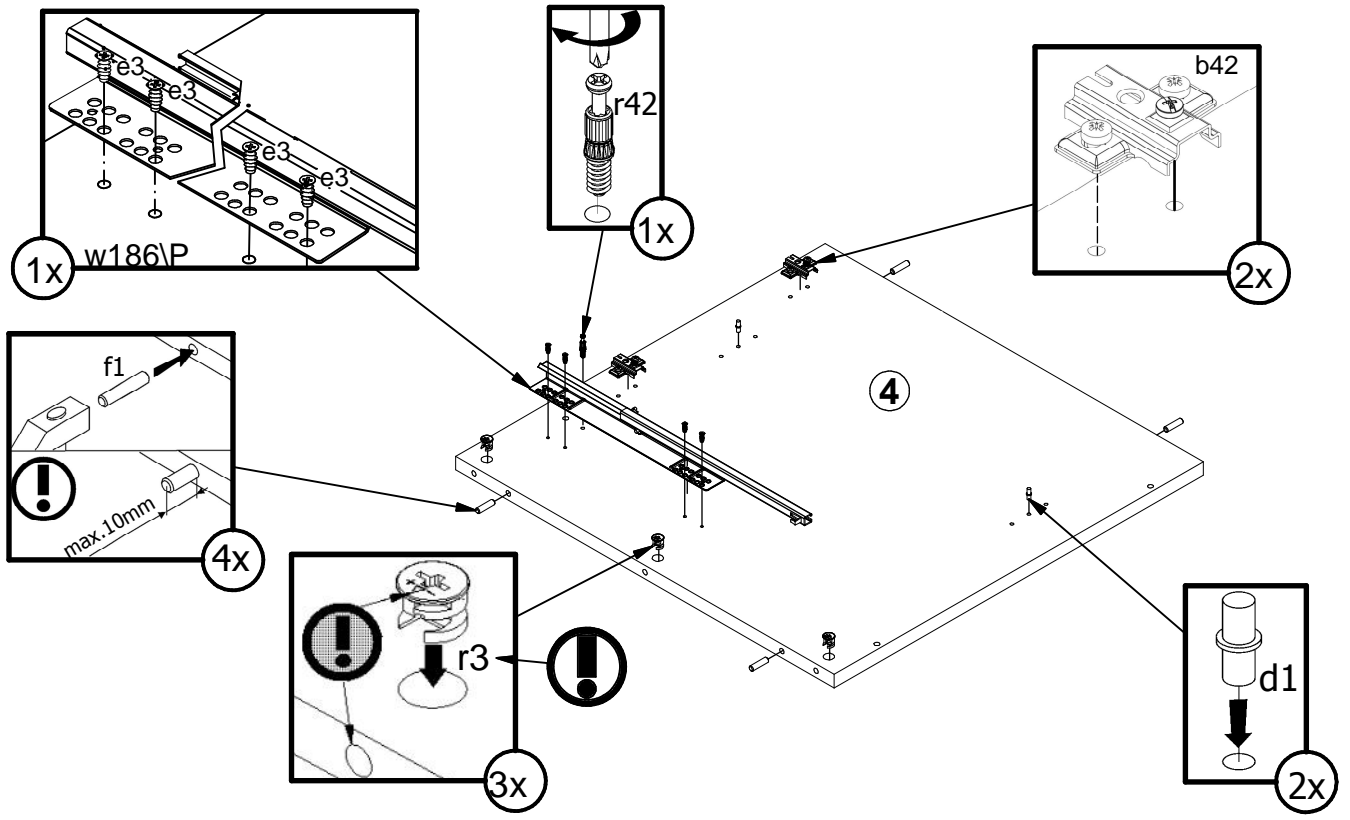
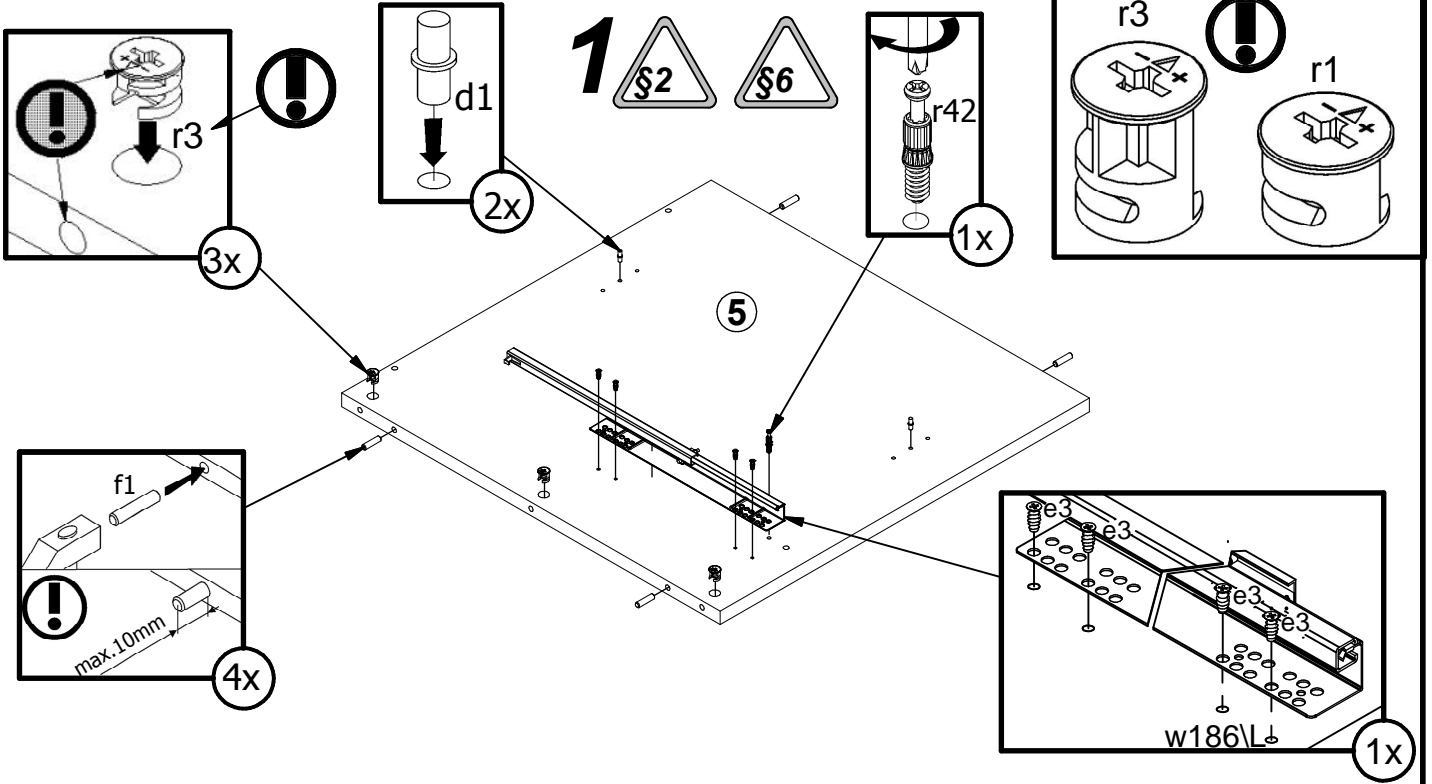
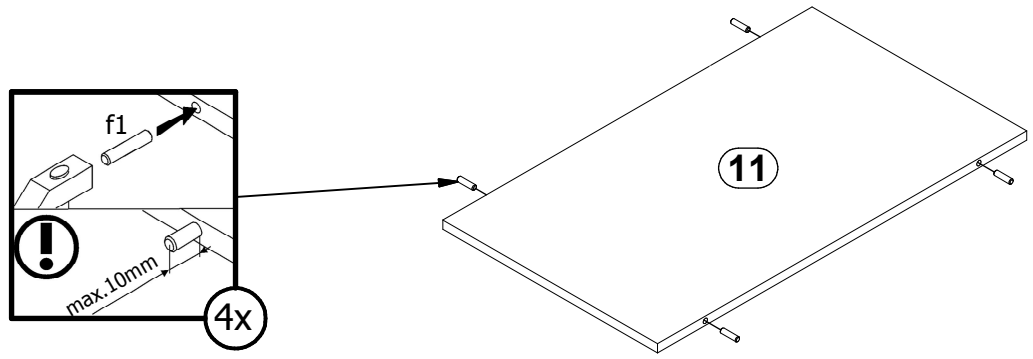
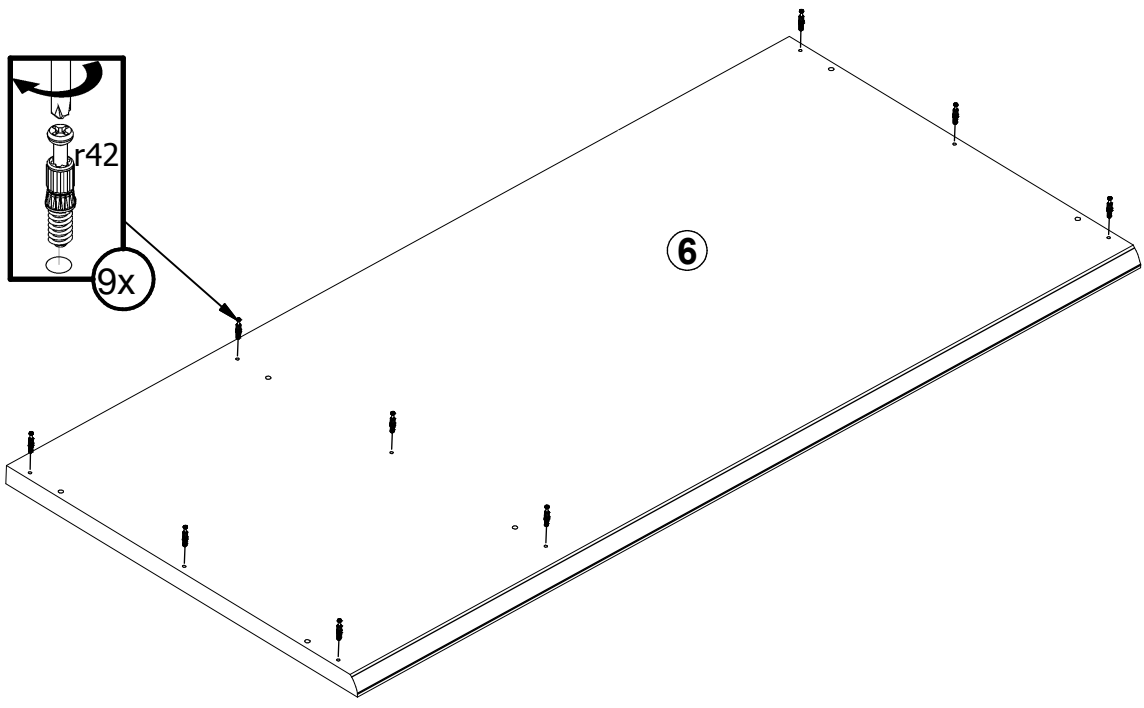
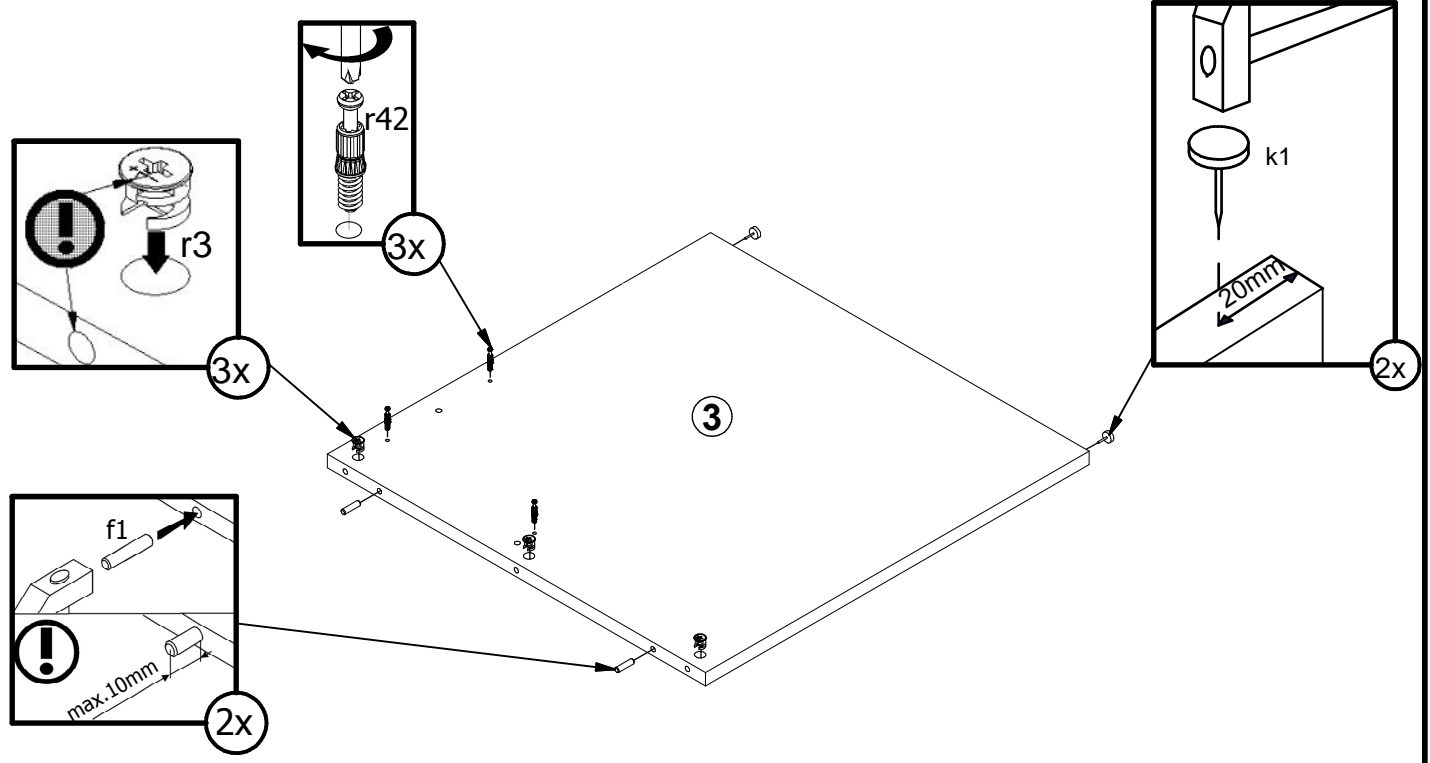
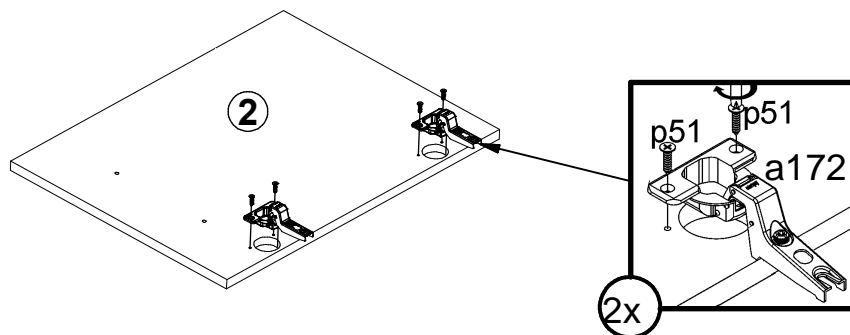
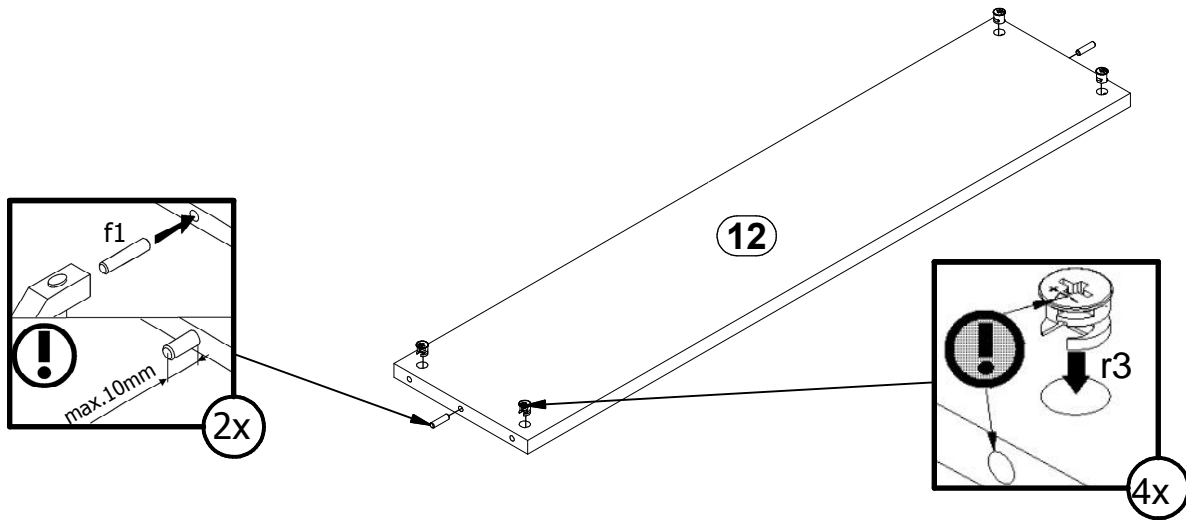
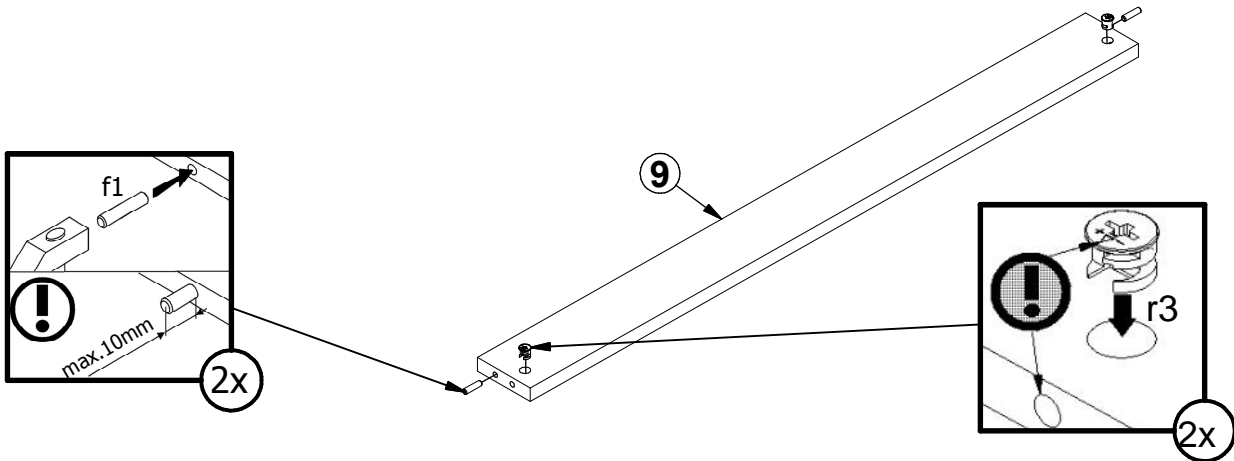
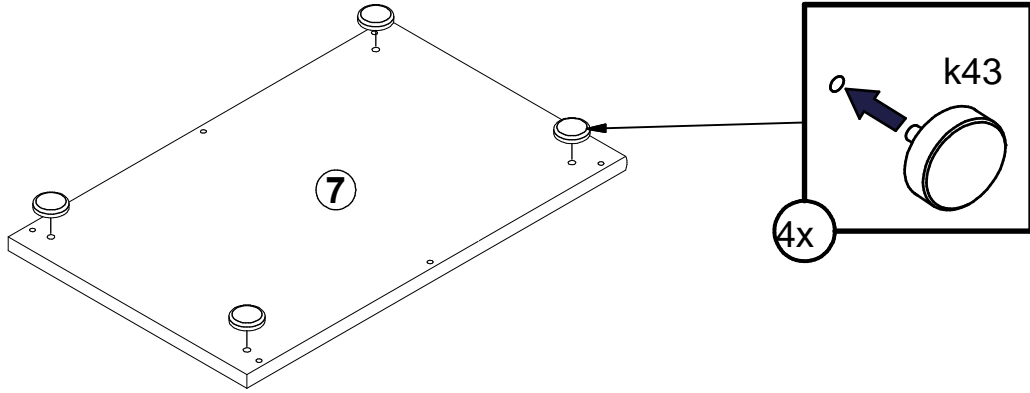


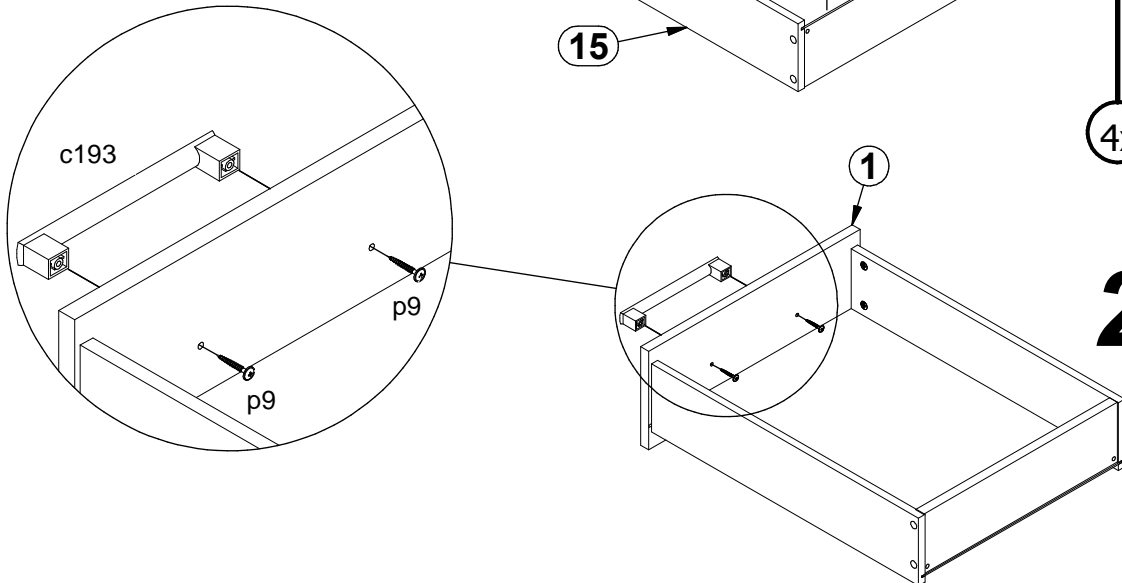
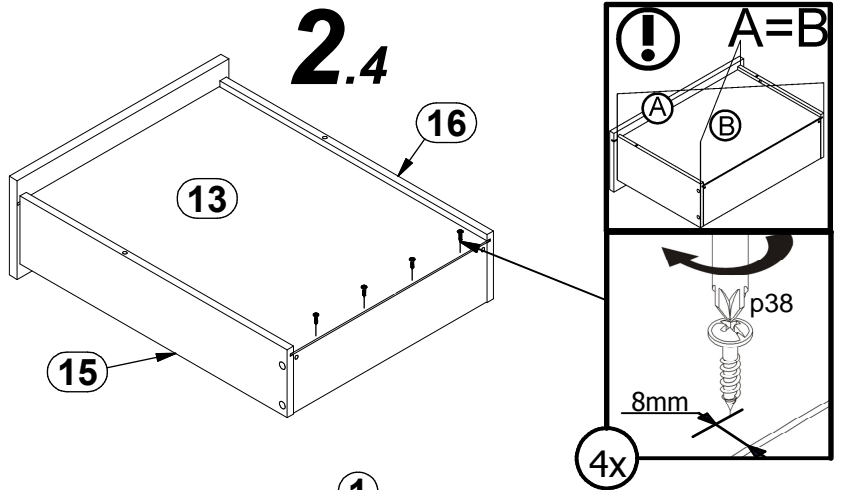
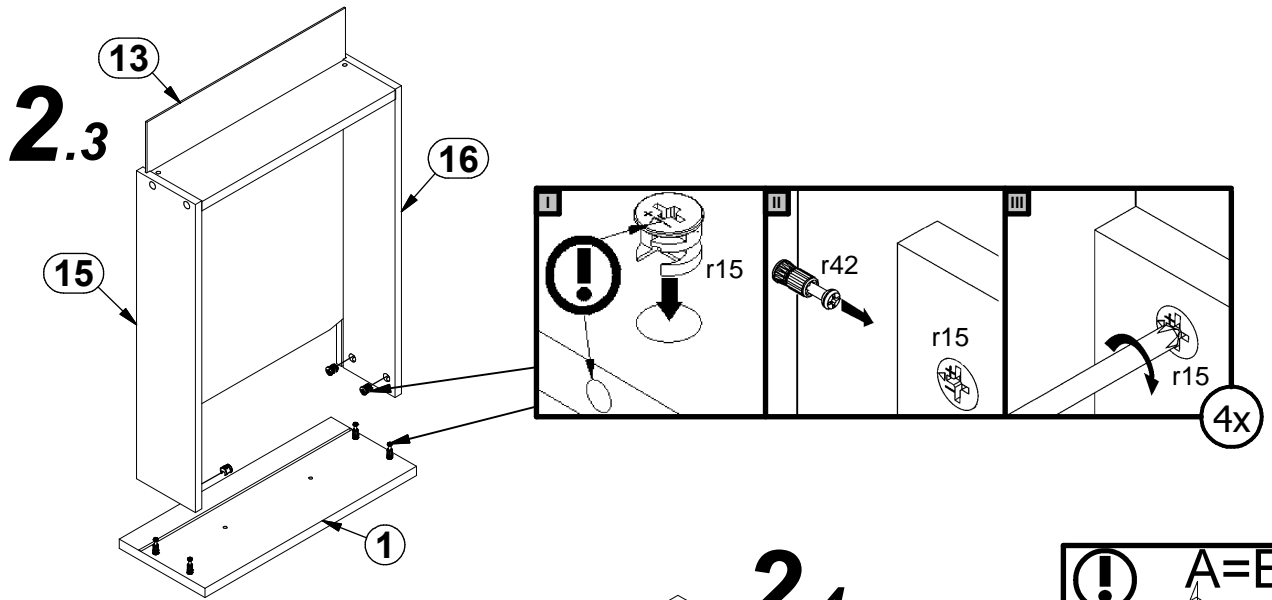
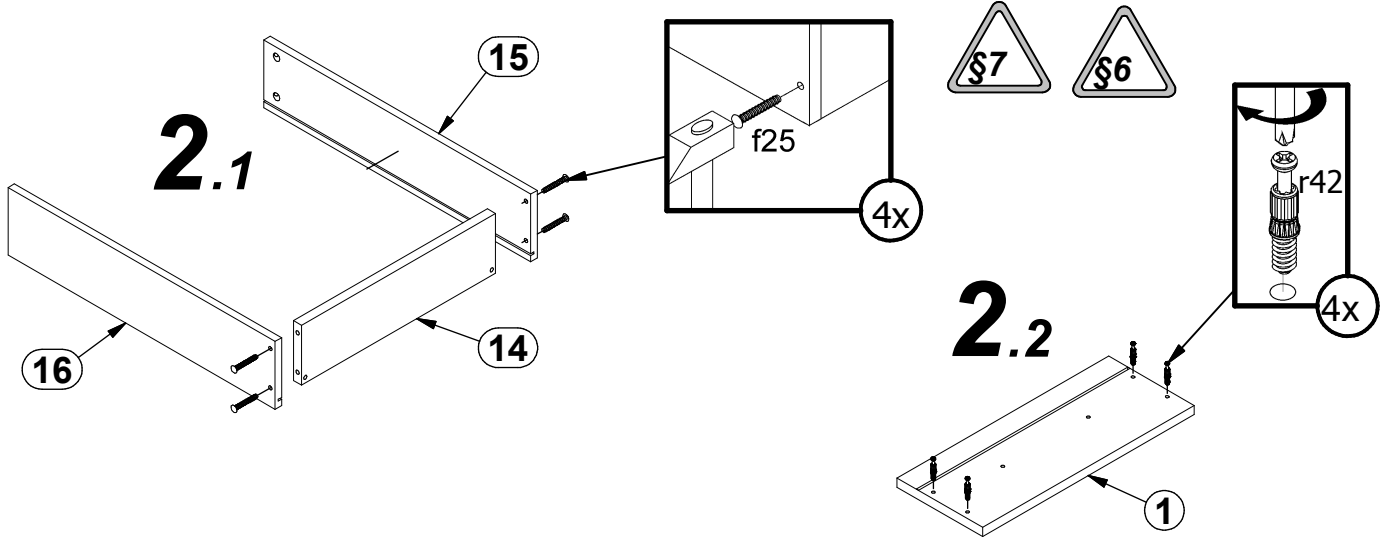
A	B	C1	C2	C3	D
1	S516-0001	396	160	15	1/3
2	S516-0002	522	396	15	1/3
3	S516-1007	718,	708,	22	2/3
4	S516-1008	691	708,	22	2/3
5	S516-1009	691	708,	22	2/3
6	S516-2003	1600	730	32	3/3
7	S516-2004	447	711	22	1/3
8	S516-3003	401	670	15	1/3
9	S516-4001	1128,	100	22	2/3
10	S516-4002	402,	80	15	1/3
11	S516-4301	691	402,	15	1/3
12	S516-4302	1128,	250	22	2/3
13	WSP-9360	372	508	2,5	1/3
14	ZQ6-5055	363	97	15	1/3
15	ZQ6-523	500	110	12	1/3
16	ZQ6-524	500	110	12	1/3



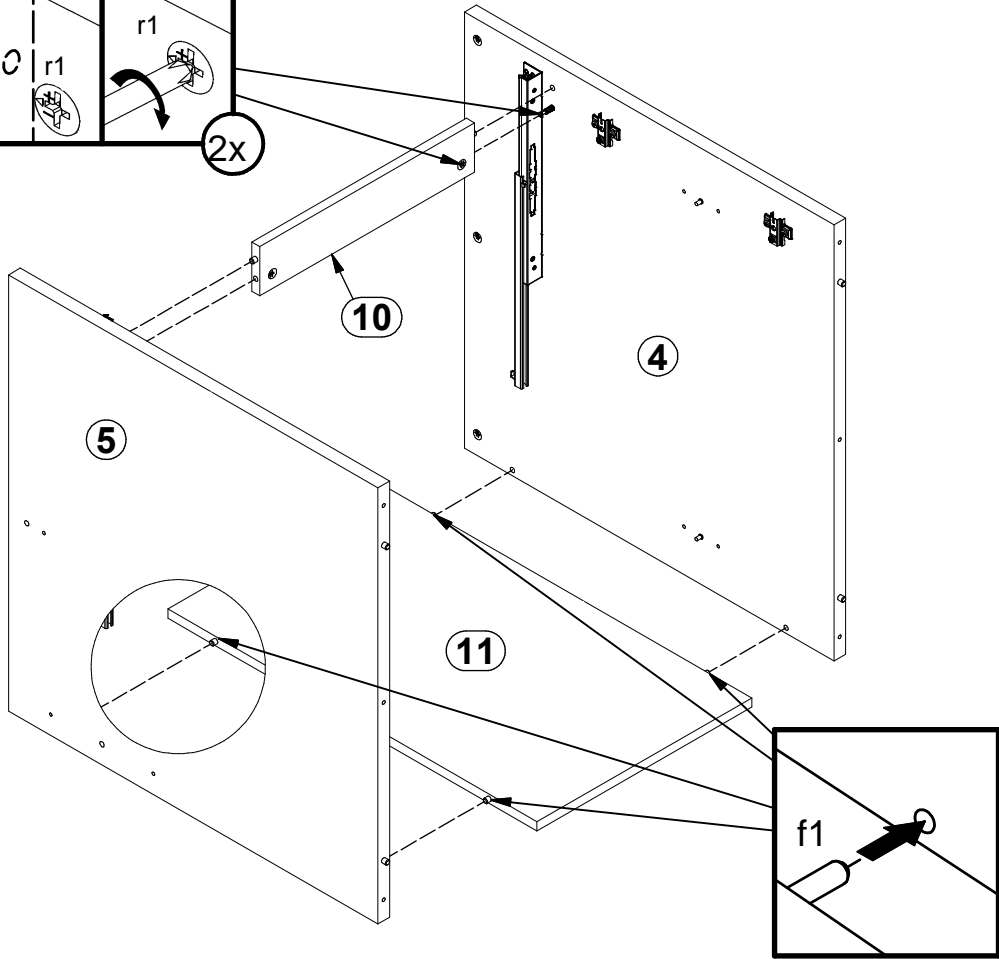
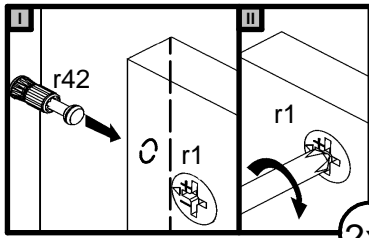




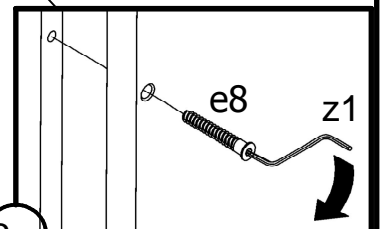
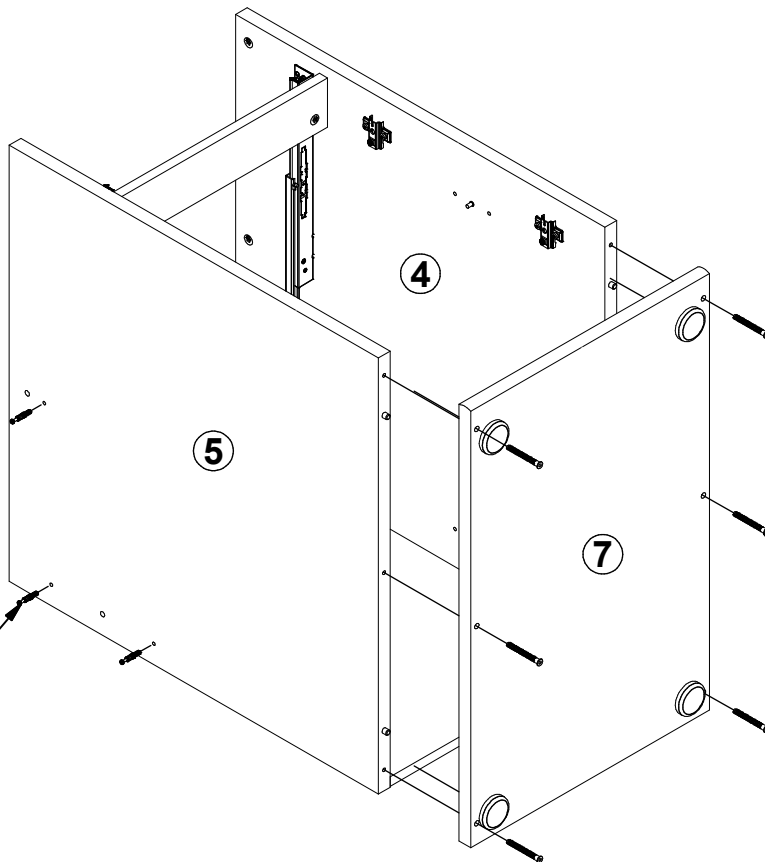
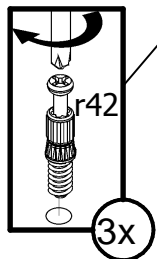




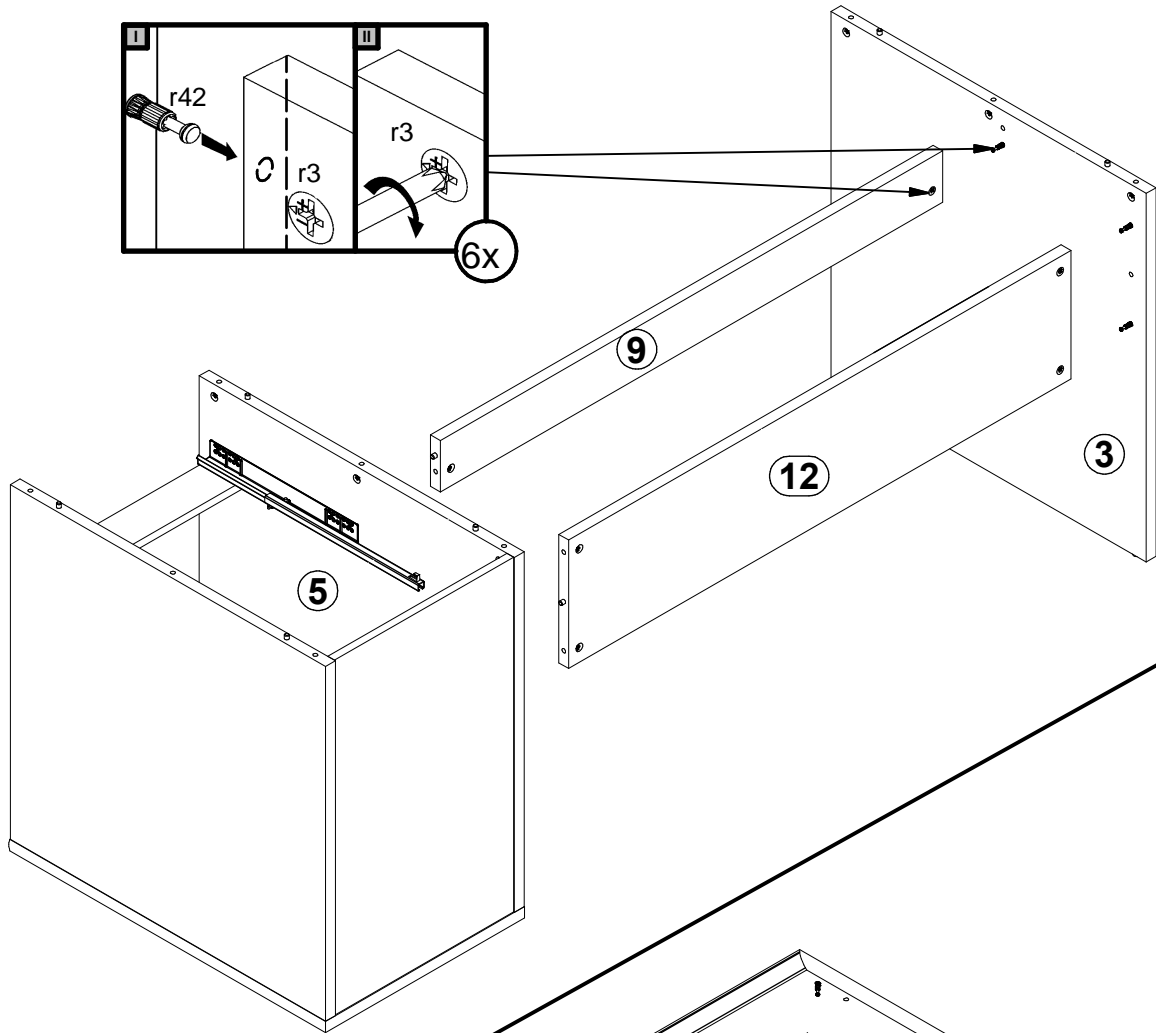
3



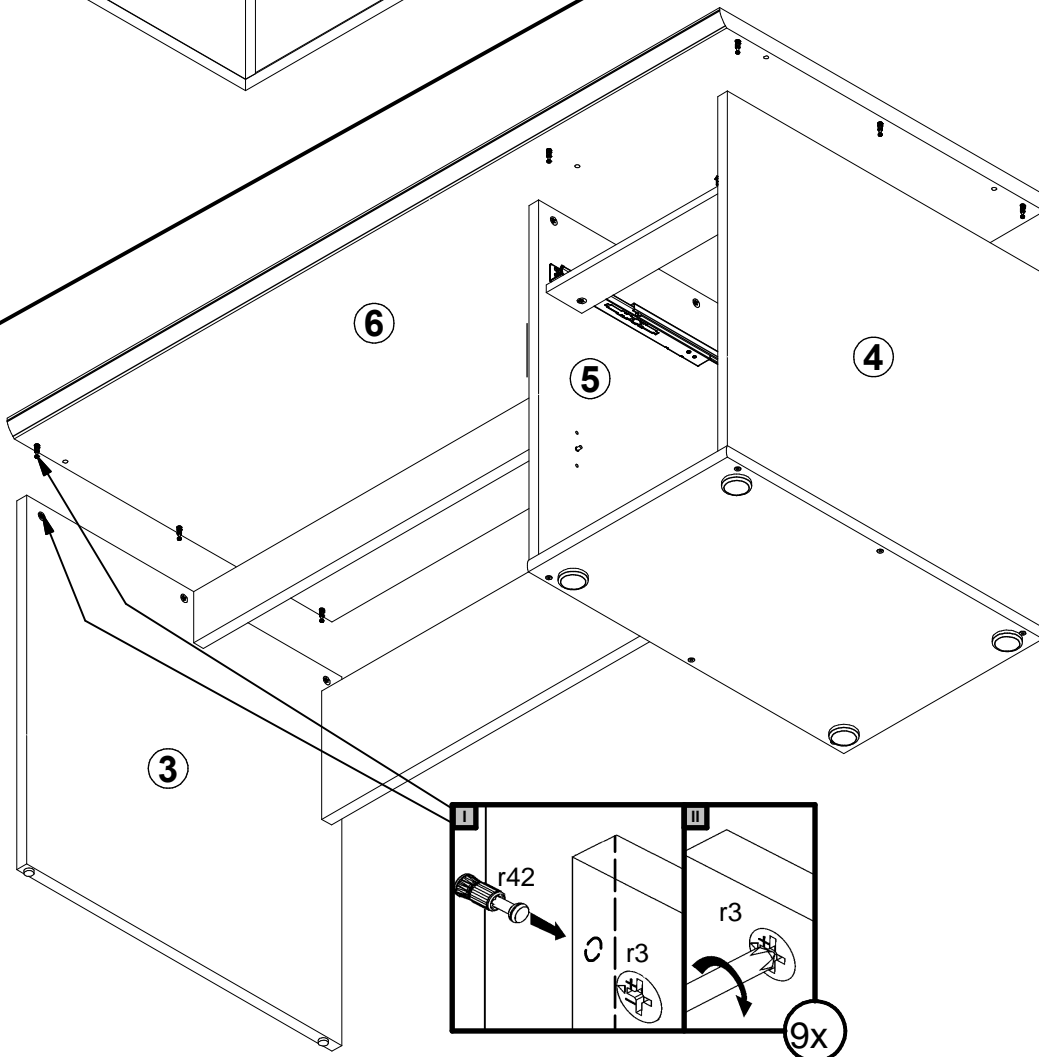
4



5

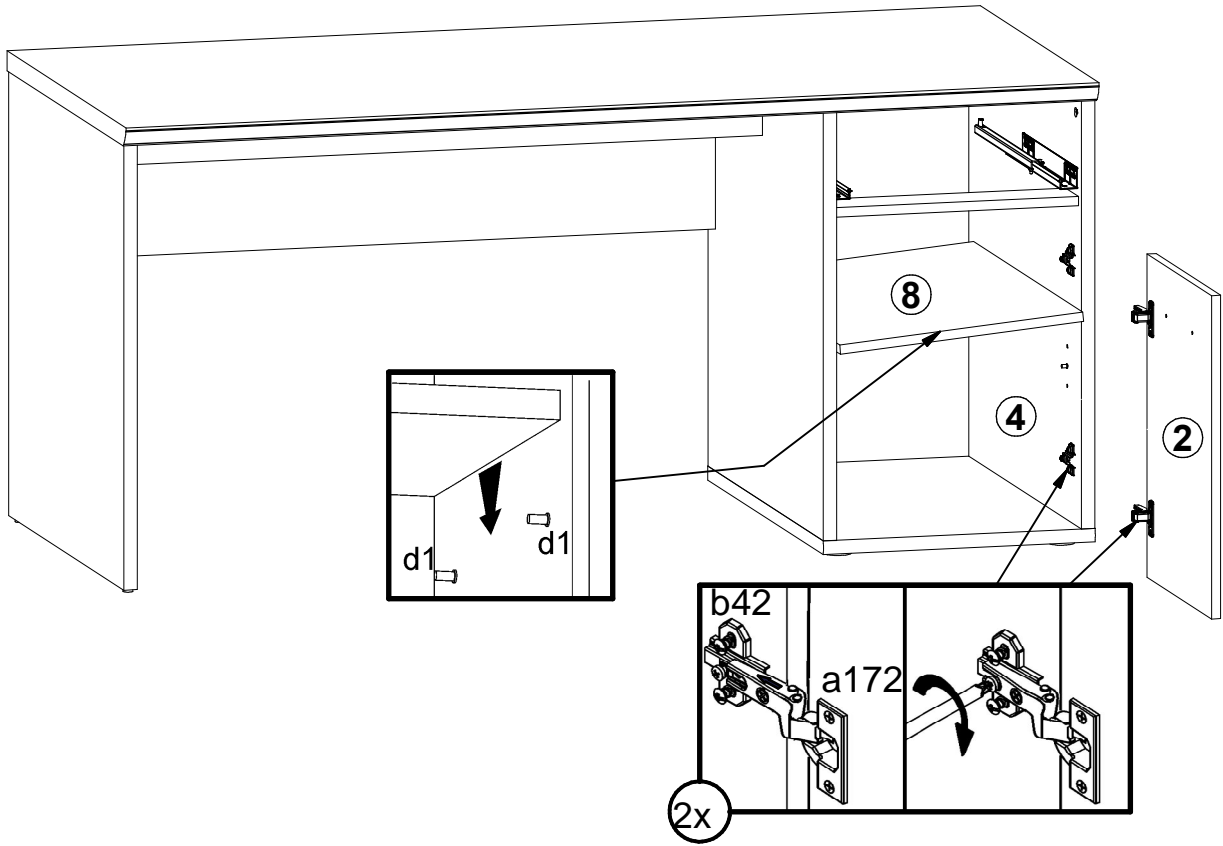


6





7



8

