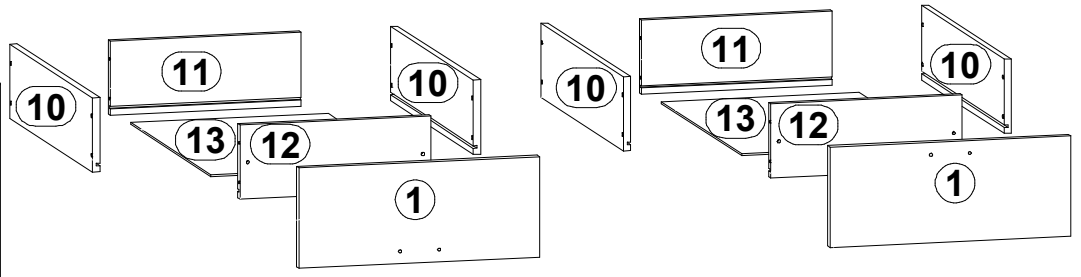
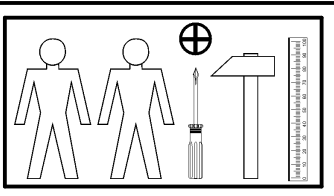
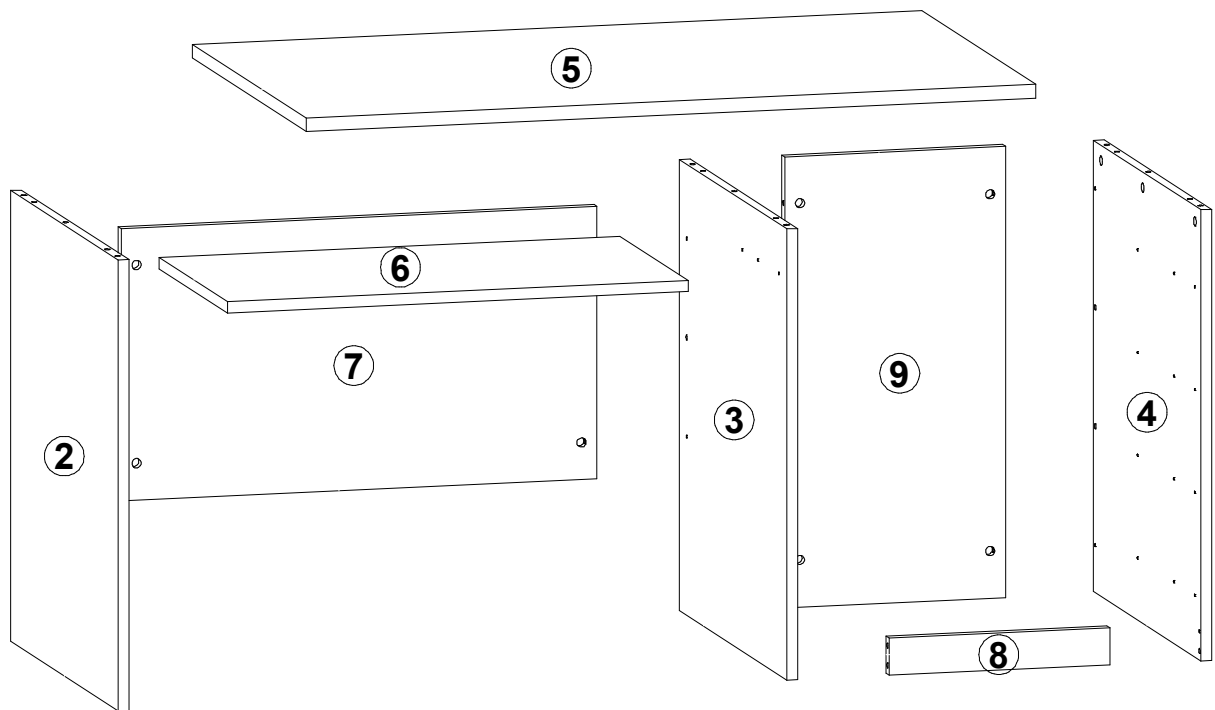
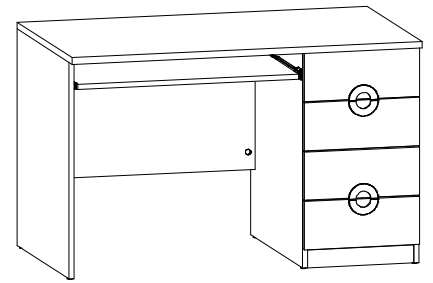


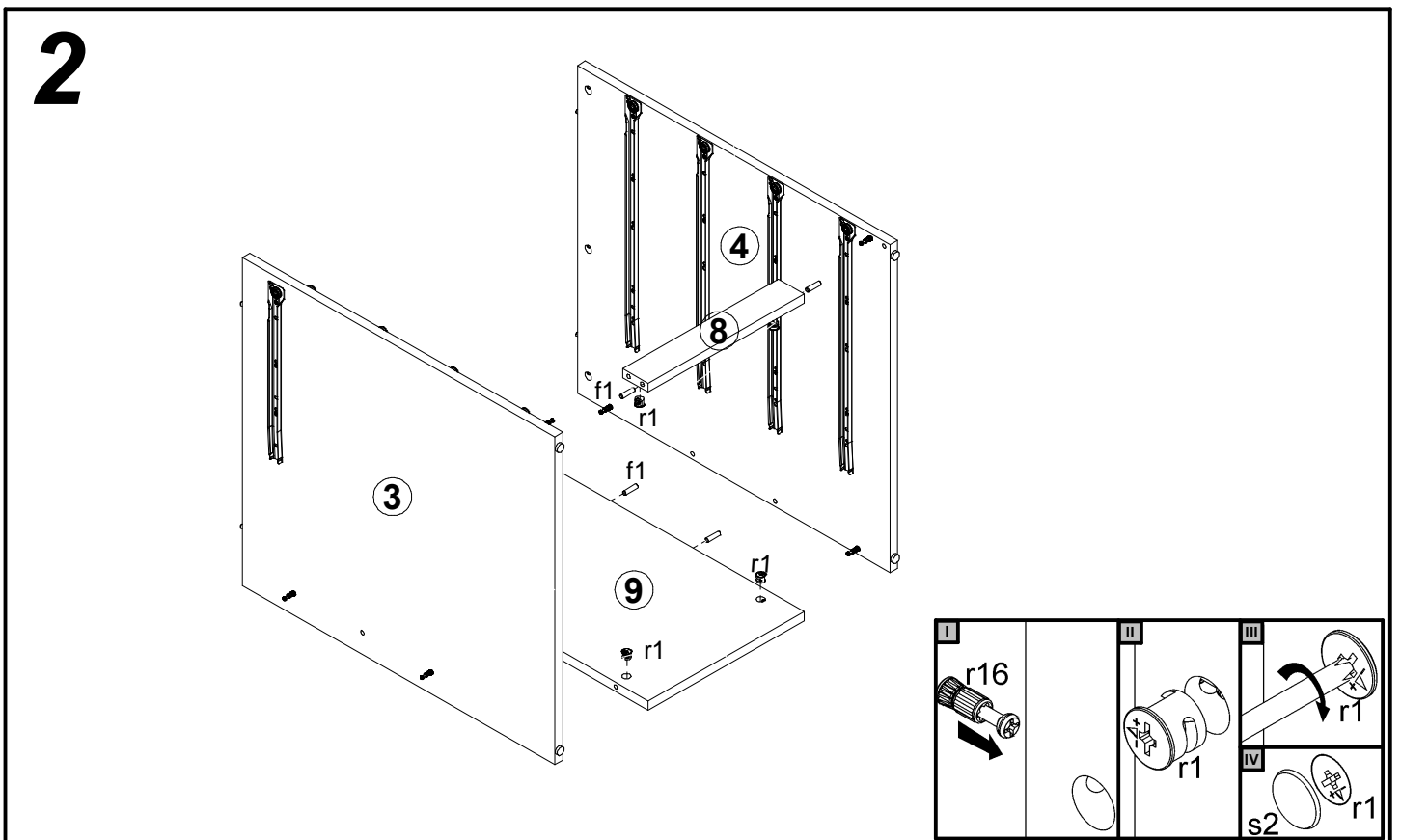
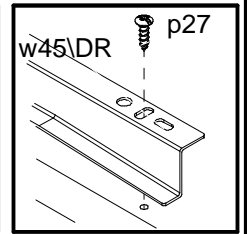
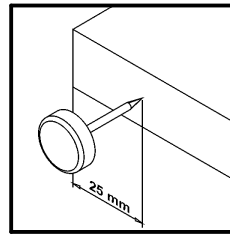
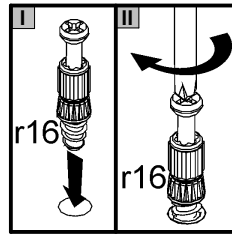
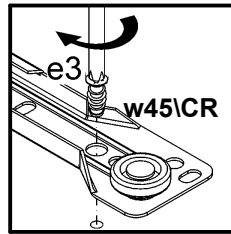
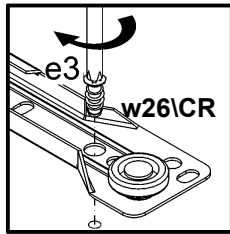
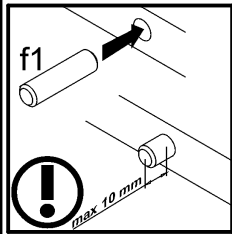
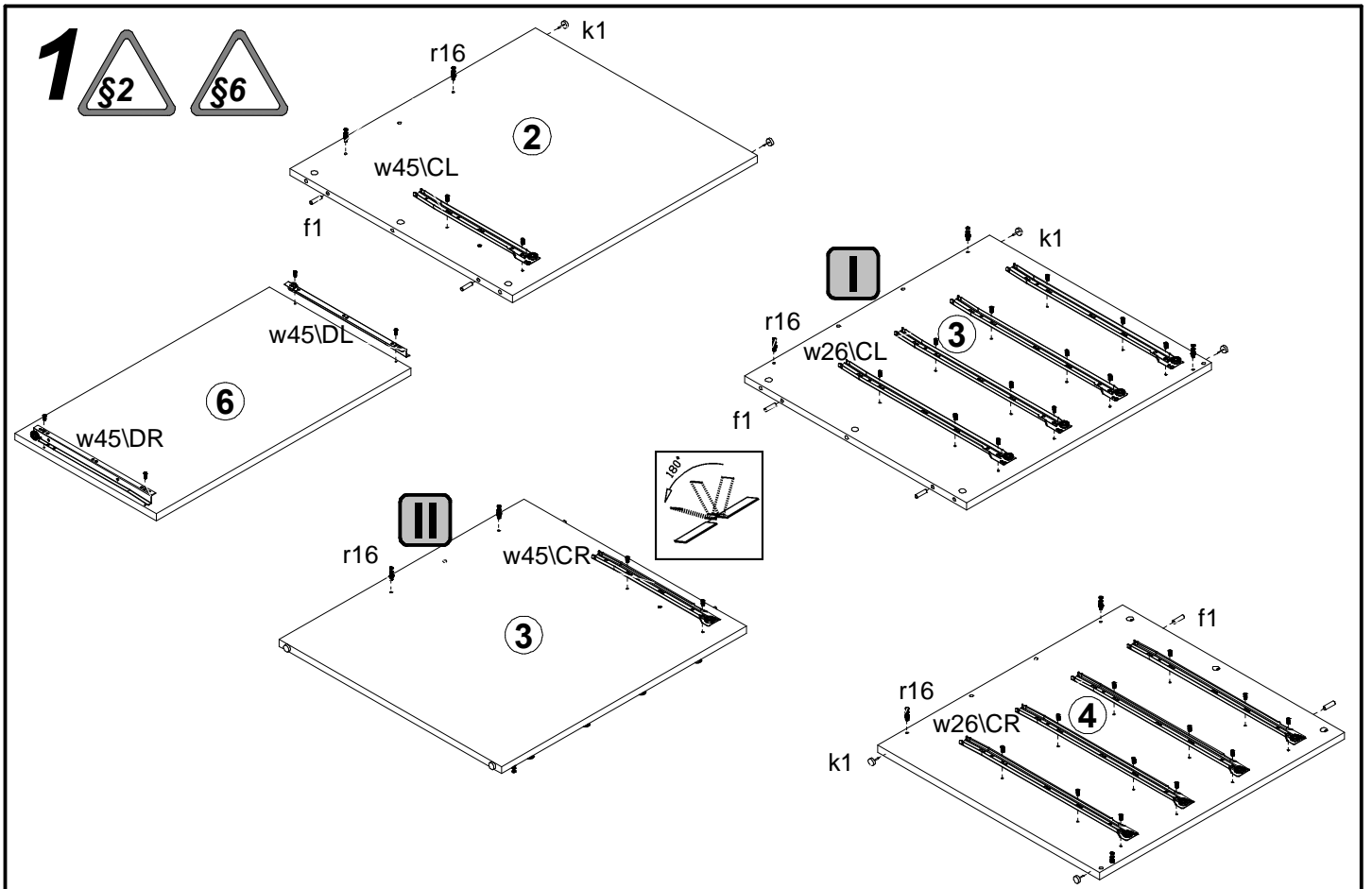
RINGO

S61-BIU4S/120

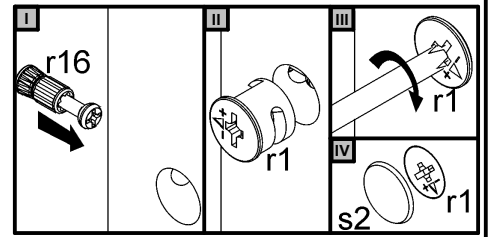
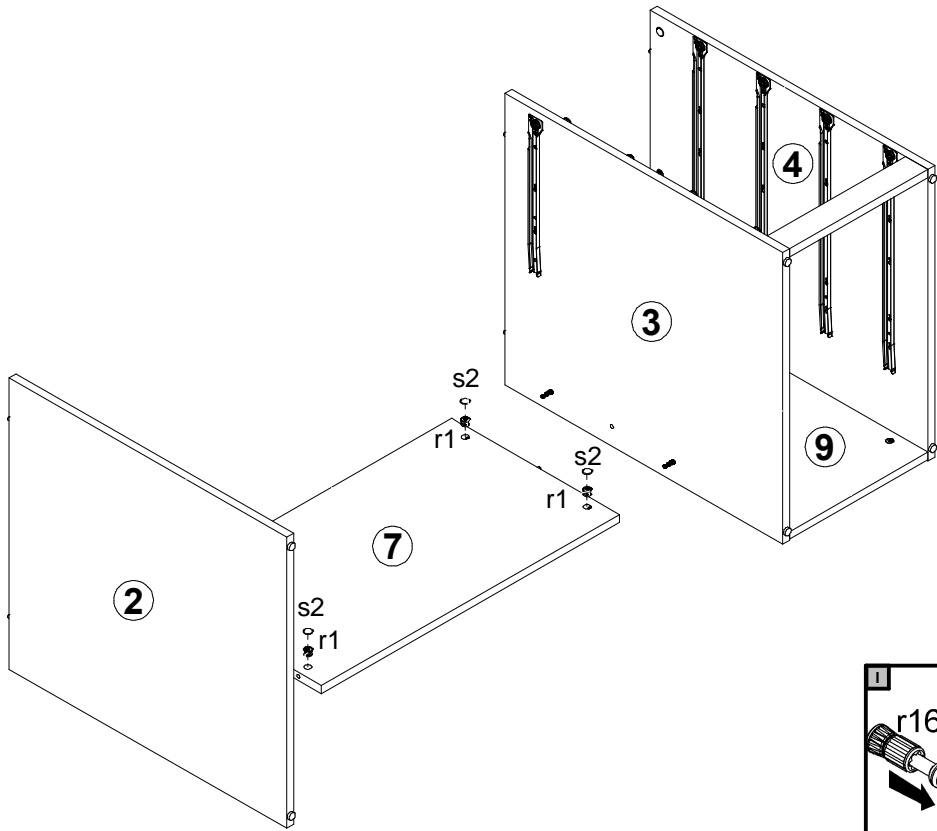
A	B	C	D	
1	S61-026	396	162	5/5
2	S61-137	728	660	1/5
3	S61-138	728	660	1/5
4	S61-139	728	660	1/5
5	S61-225	1200	700	3/5
6	S61-320	757	420	2/5
7	S61-411	782	440	2/5
8	S61-412	363	60	2/5
9	S61-413	728	363	2/5
10	S61-506	508	120	1/5
11	S61-509	314	120	1/5
12	S61-520	314	120	1/5
13	S61-920	325	493	1/5



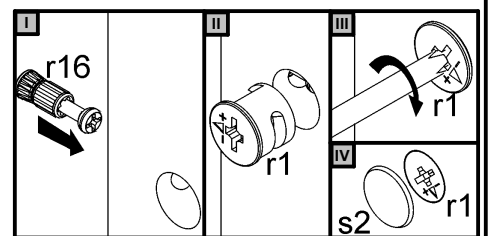
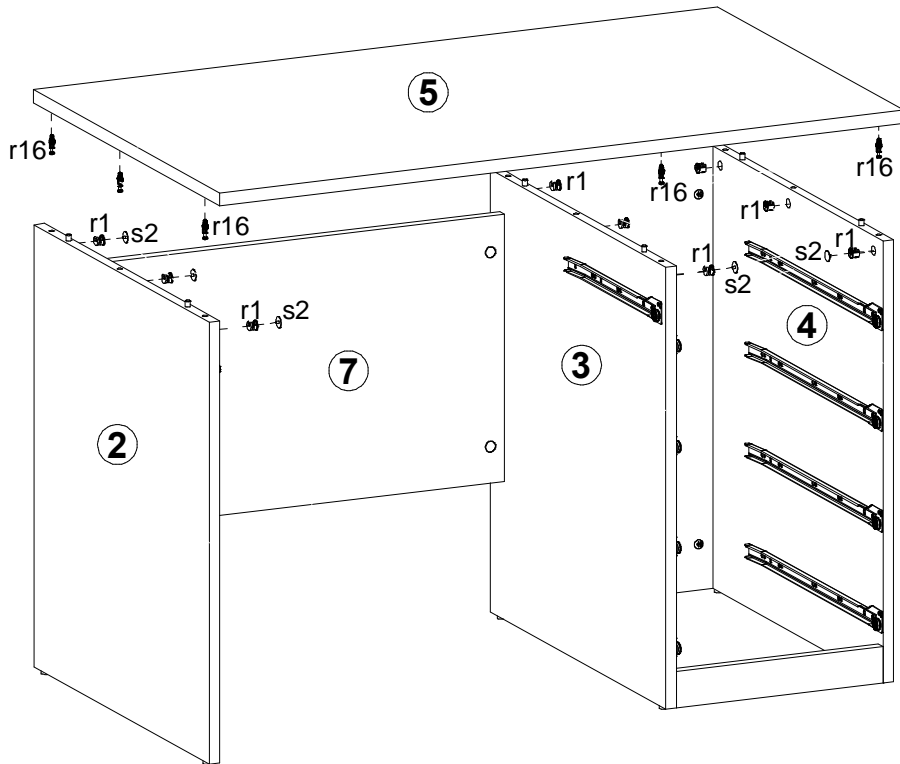
4x c211	30x e3 φ6x13 mm	32x e32 φ5x50 mm	14x f1 φ8x30 mm	8x j1 M4x20 mm	6x k1	16x p15 φ2,5x13 mm	4x p27 φ3,5x13 mm	8x p90 φ4x28 mm
19x r1 φ15x12mm #16	19x r16	8x r31 φ21x10mm	9x s2 ø16	4x w26\CL 500 mm	4x w26\CR 500 mm	4x w26\DL 500 mm	4x w26\DR 500 mm	1x w45\CL 350 mm
1x w45\CR 350 mm	1x w45\DL 350 mm	1x w45\DR 350 mm						



3



4



5

